

ECOMAX 400

Glasswasher

Effective – Reliable – Affordable



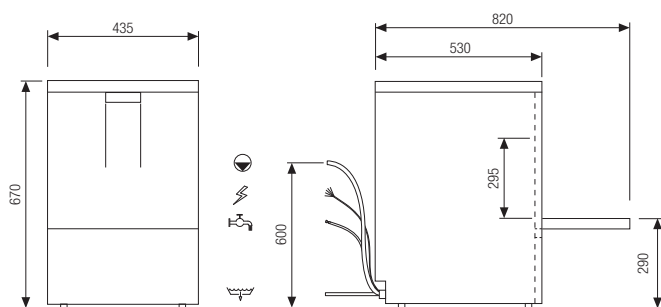
Standard Features

- Easy to Use Controls
- Display temperatures
- Thermostop Protection:
guarantees Correct Rinse
- Low Operating Costs
- Rinse Aid Dispenser

ECOMAX 400

Dimensions (WxDxH)	cm	44x53x67
Rack size	cm	38,5x38,5
Door/hood opening	cm	29,5
Max height of washable glasses	cm	25,5
General construction		single wall
Cycle time	sec	120
Semi-automatic self cleannig cycle		yes
Tank volume	lt	11
Tank heating element	W	600
Wash pump power	W	300
Boiler type		pressurized
Boiler volume	lt	2,6
Boiler heating element	W	2.600
Rinse water consumption	lt/cycle	2
Drain system		overflow pipe
Drain pump		optional
Rinse aid dispenser		hydraulic
Detergent dispenser		optional
Electric power	W	3.500
Electric connection	V/Hz/ph	220/60/1
Equipment	n°	2 Flat racks - 1 Cutlery container

INSTALLATION DIAGRAM



DETAILS

