



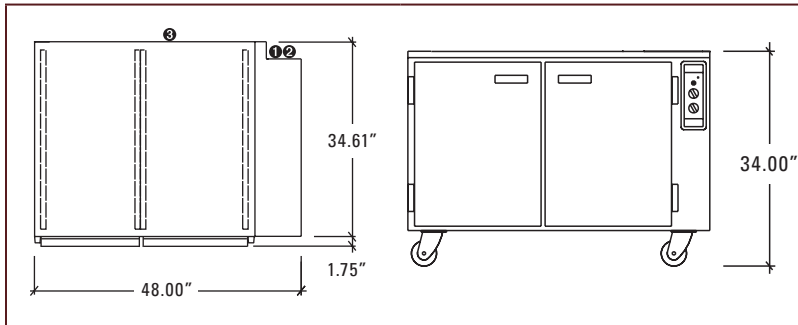
MB300 Proofing Cabinet Base

STANDARD FEATURES

- For use with 1-OV310 series oven
- Stainless steel construction
- Holds 16 18" x 26" pans with 3" spacing
- 34" height provides optimum working height for OV310 above
- Easy to operate digital controls
- Doors open independently
- Heavy duty 4" casters (2 locking)

OPTIONS & ACCESSORIES

- LEG-KIT: Conversion kit replaces casters with stainless steel legs
- MB300-COVER: Finished stainless steel top



Weight: 363 lbs. **Freight Class:** 100

- ❶ **Power:** 120V/60/1/16 amp. 20 amp max. dedicated circuit required. 6' cord and NEMA 5-20P plug provided.
- ❷ **Water:** 1/4" NPT cold water @ 30-80 psi at 30" AFF
NOTE: Water supply must have the proper hardness, pH & chloride concentration. Consult your local water company and/or water conditioner dealer before installation.
 - **Recommended water hardness range:** 2-4 grains per gallon.
 - **Recommended pH range:** 7.0 to 8.0.
 - **Acceptable range for chloride concentration:** 0-30 ppm.
- ❸ **Drain:** 1/2" NPT rear drain at 5" AFF. Route to air-gap drain.



Area Reserved For Consultant & Contractor Approvals



19220 State Route 162 East
Orting, WA 98360
www.baxterbakery.com

Factory
(360) 893-5554

Customer Care
(800) 777-2828
or
(800) 462-2778

Customer Care Fax
(937) 332-2852