

# INSTRUCTIONS

## MODEL 6801 MEAT SAW

MODEL

6801

ML-134094

PREVIOUS MODELS COVERED BY THIS MANUAL:

6801

ML-104948



701 S. RIDGE AVENUE  
TROY, OHIO 45374-0001

937 332-3000

[www.hobartcorp.com](http://www.hobartcorp.com)

FORM 34405 Rev. C (August 2011)

# Installation, Operation, and Care of MODEL 6801 MEAT SAW

SAVE THESE INSTRUCTIONS

## GENERAL

The 6801 Meat Saw is rugged, durable, and easy to clean. The saw is equipped with a water resistant 3 HP electric motor and direct gear drive transmission. The carriage (Fig. 1) has stainless steel ball bearings providing easy travel and dependability. The shaped front edge of the carriage is comfortable to the operator's body even when leaned on during movement. The carriage lock is standard.

Table, carriage, pulleys, guides, and wiper assemblies can be quickly removed without tools for ease of cleaning. Moving parts are enclosed but accessible. The blade is guarded above and below the cutting zone. The pusher plate is provided to eliminate the need of handling items close to the blade; it can ride on the right "flanged-end" of the carriage so you keep your hands away from the cutting edge of the blade.

For electrical specifications above 250 volts, a transformer provides a 115 volt control circuit voltage. Thermal overload protection is an option.

One long-life blade is furnished with each saw as standard equipment. This blade cannot be re-sharpened; replacement blades are available through your local Hobart Service Office.

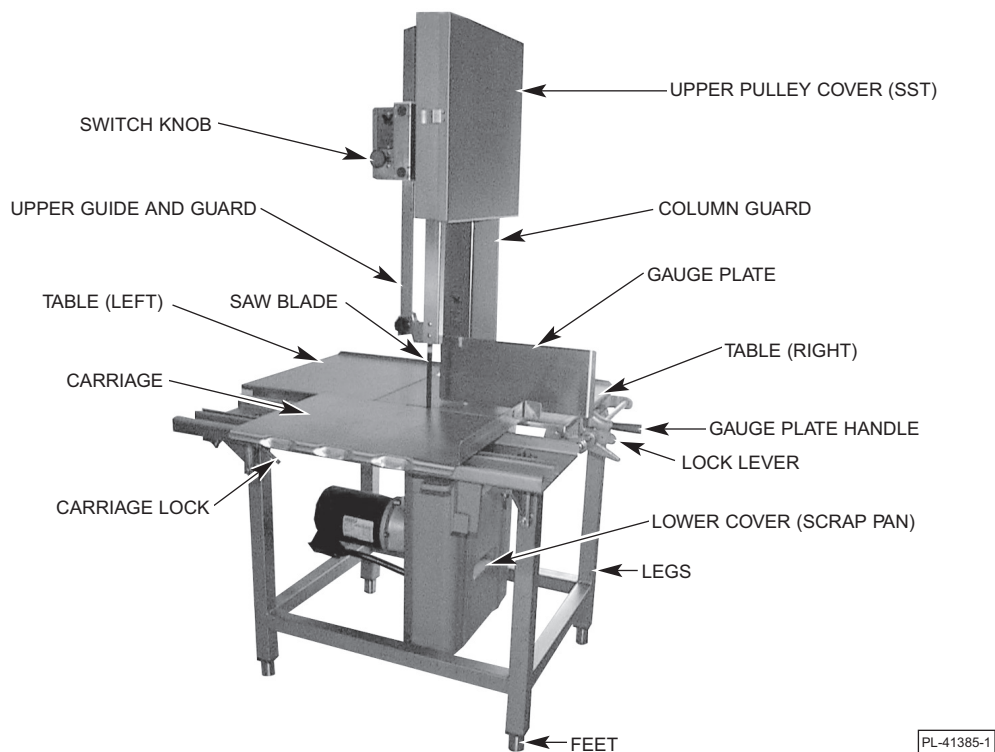


Fig. 1

# INSTALLATION

## UNPACKING AND ASSEMBLY

Immediately after unpacking the meat saw, check for possible shipping damage. If the meat saw is found to be damaged, save the packaging material and contact the carrier within 15 days of delivery.

Prior to installation, test the electrical service to make sure it agrees with the specifications on the machine data plate located on the column.

Packed in a packet attached to the table compartment are the pusher plate and the gauge plate handle. Place the pusher plate in its storage location under the carriage support (Fig. 2). Assemble the gauge plate handle to the gauge plate support by screwing the stud into the threaded hole (Fig. 3).

## LEVELING

Place the saw in its operating location. Using a spirit level, level the meat saw front-to-back and side-to-side by turning the threaded feet in or out.

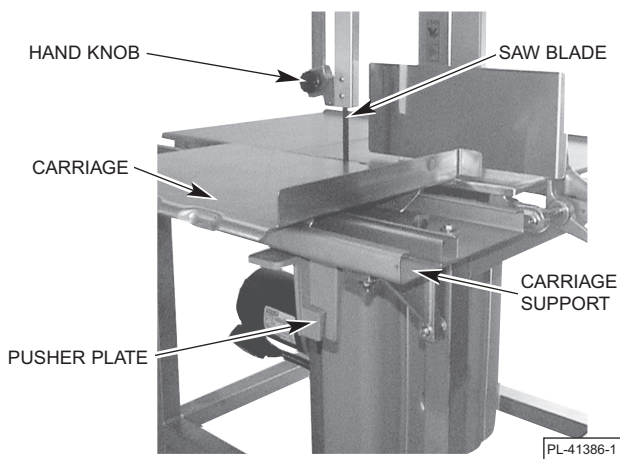


Fig. 2

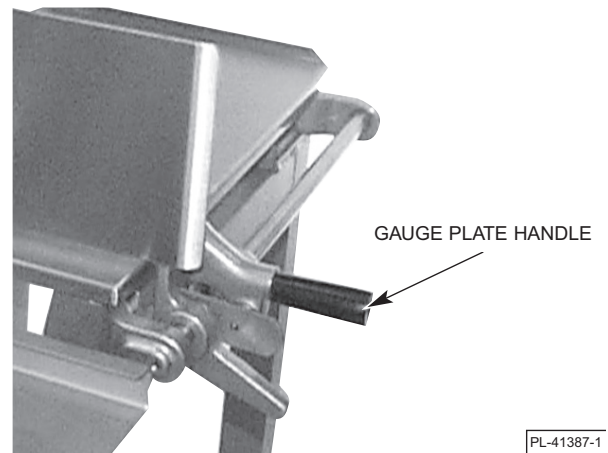


Fig. 3

**⚠ WARNING** Disconnect the electrical power to the machine and follow lockout / tagout procedures.

## SAW BLADE

The saw blade must be installed so the teeth point to the right and down (Fig. 4).

## UPPER GUIDE AND GUARD ASSEMBLY

When the saw is off, the hand knob (Fig. 4) can be used to raise or lower the upper guide and guard assembly so the cutting zone is only as high as necessary for the piece being cut. The hand knob is not loosened during raising or lowering — it should remain tightly secure.

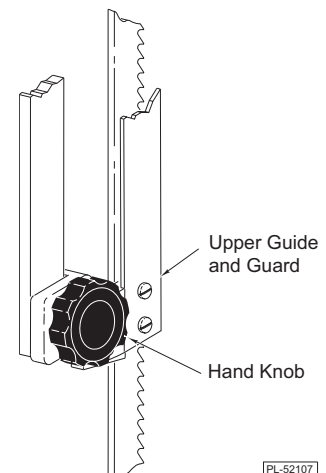


Fig. 4

## UPPER PULLEY COVER (PLASTIC)

The plastic upper pulley cover (Fig. 5) should be installed on the two hinge-retainers at the top and securely latched at the bottom during use. To remove the plastic upper pulley cover for cleaning, release the latch at the bottom and remove from the hinge-retainers at the top.

## UPPER PULLEY COVER (STAINLESS STEEL)

The stainless steel upper pulley cover (Fig. 1) should be installed on the two hinge pins of the stainless steel upper pulley baffle and securely latched during saw use. To remove the stainless steel upper pulley cover for cleaning, unlatch and open the stainless steel upper pulley cover; then, lift straight up off the hinge pins.

## LOWER COVER (SCRAP PAN)

During use, the lower cover (Fig. 5) acts as a scrap pan, accumulating bone dust and debris from the blade scrapers and pulley wiper that are located on the lower panel (Fig. 6). To remove the lower cover (scrap pan) for cleaning, release the clip at the top; pull out and lift the lower cover from the groove at the bottom of the lower panel.

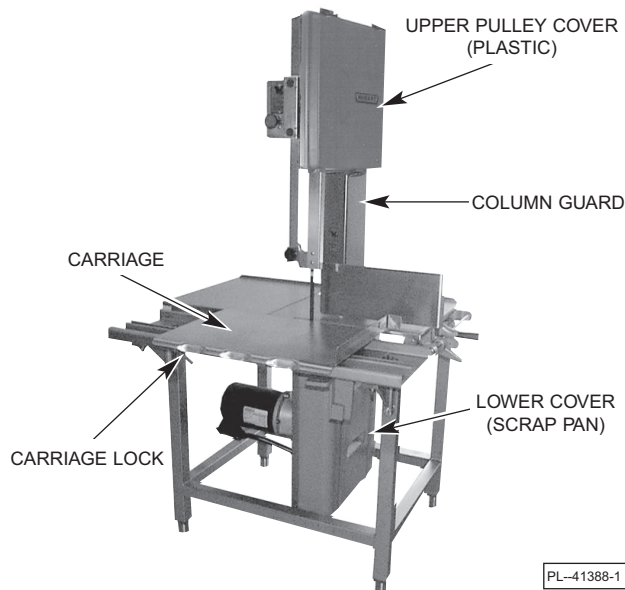


Fig. 5

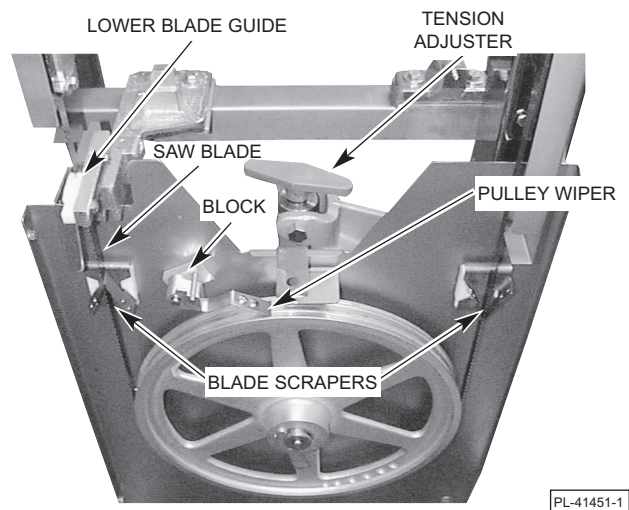


Fig. 6

## BLADE SCRAPERS

Two blade scrapers wipe the blade during sawing to accumulate bone dust and debris inside the lower cover (scrap pan). The front scraper points up and the rear scraper points down (Fig. 6). After the blade is removed, the scrapers can slide off their mounting blocks for cleaning.

## PULLEY WIPER

The pulley wiper (Fig. 6) scrapes bone dust or debris from the lower pulley during use. The pulley wiper can be removed for cleaning by springing the wiper up and sliding it off the pins.

## LOWER PULLEY

The lower pulley is assembled on the lower pulley shaft. The latch on the lower pulley should be seated in the groove of the pulley shaft (Fig. 7). The lower pulley can be removed after the blade has first been loosened and removed and the lower pulley latch is moved out of the groove of the lower pulley shaft.

## UPPER PULLEY

The upper pulley is assembled on the upper pulley shaft. The round retainer on the upper pulley shaft should be positioned out-of-center when latched (Fig. 8). The upper pulley can be removed after the blade has first been loosened and removed and the round retainer is moved to the center of the upper pulley shaft.

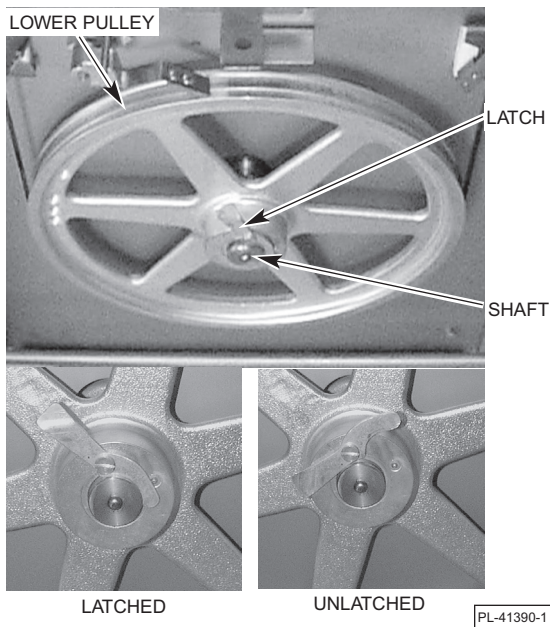


Fig. 7

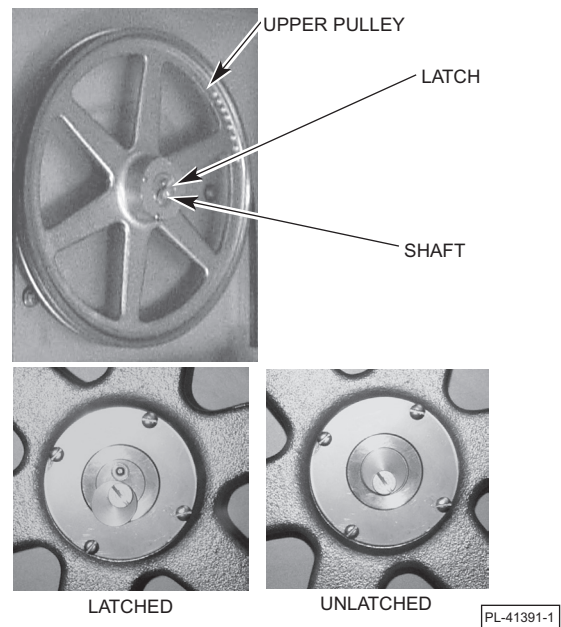


Fig. 8

## COLUMN GUARD

The column guard (Fig. 5) covers the return loop of the moving blade and must always be in place during sawing. To remove the column guard for cleaning or blade change, first remove the right table and the upper pulley cover. You may want to remove the lower cover (scrap pan) as well. Then, lift the column guard up to free it from the two shoulder-screw heads on the column that it hangs from.

## TABLES — RIGHT AND LEFT

During use, the right and left tables (Fig. 1) are secured underneath by pins and clamps. To remove the tables for cleaning: Raise the gauge plate to its vertical position; lift the right side of the right table up; and, remove the table from the two pins. After the right table is removed, the left table can be removed: Lift the left side of the left table up; and, shift it to the right to free it from the two pins.

## SCRAP TRAY

During use, the scrap tray should be installed between the left-hand table and the carriage support (Fig. 9). The scrap tray slides into place, resting on the frame between the carriage support and table. The angled side of the scrap tray is located nearest the blade.

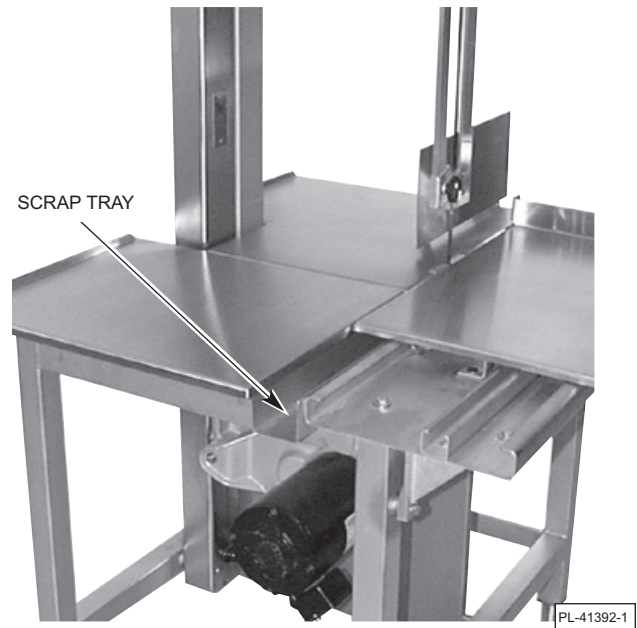


Fig. 9

## CARRIAGE

In use, the carriage can roll back and forth between the left carriage stop (Fig. 10) and the right carriage stop, assuming the spring loaded carriage lock (Fig. 5) has not locked the carriage in a stationary position.

To remove the carriage, turn either of the carriage stops 90 degrees so the bumper is toward the rear (Fig. 11). Roll the carriage off either end while lifting it free of the carriage support structure (Fig. 10).

To reinstall the carriage, hold the carriage so the bearings (underneath) are aligned with the carriage support structure. Roll the carriage into place. Return the carriage stops so the carriage is stopped at both ends.

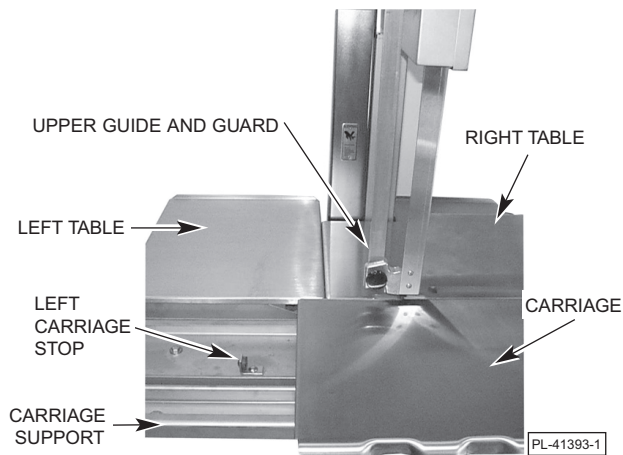


Fig. 10

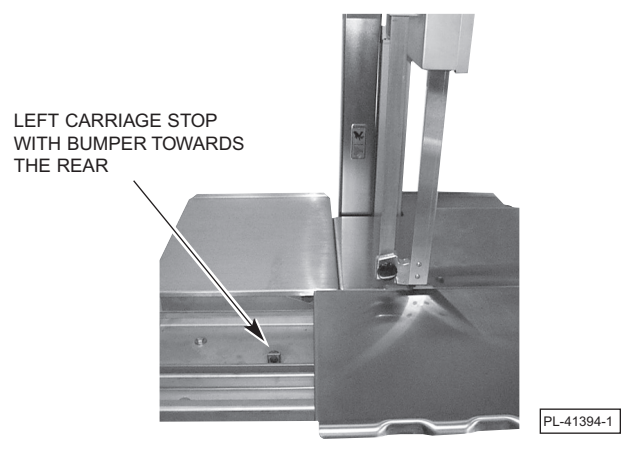


Fig. 11

## LOWER BLADE GUIDE

The lower blade guide assembly fits in the lower guide holder (Fig. 12). The blade fits in the slots of both the steel saw blade guide and the plastic guide. When the right table is removed and the plastic guide is hinged up, the lower blade guide assembly can be removed for cleaning by lifting it out of the lower guide holder.

The steel saw blade guide is available in various widths depending on the blade being used. Contact Service to change the steel saw blade guide for other blade widths.

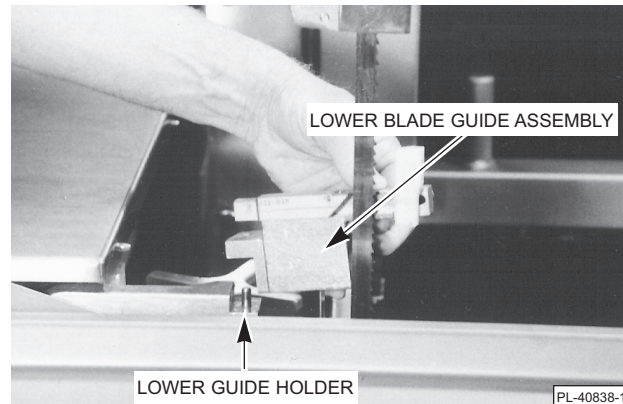


Fig. 12

## REMOVING THE BLADE

Remove the upper and lower pulley covers. Raise the gauge plate to its vertical position. Remove the right table by lifting its right side and sliding the table to the right to free it from the locating pins. Remove the column guard. Turn the tension adjuster counterclockwise until it stops (this will release tension on the blade by raising the lower pulley). Raise the plastic blade guide on the lower blade guide assembly and release the blade from the upper and lower blade guides. Free the blade from the blade scrapers in the lower pulley area and release it from the pulleys. Remove the blade.

Make sure the pulleys are properly installed and the pulleys are latched (Figs. 7 & 8). Install the new blade with the teeth pointing to the right and down as you face the front of the saw. The blade must fit between the V's on the blade scrapers, in the slots of the upper and lower blade guides, and must not touch any of the pulley flanges. The lower blade guide must be installed after the blade is installed. When the blade is in position, see **BLADE TENSION**, below, to adjust the tension properly. Refer to **LOWER BLADE GUIDE**, above, if the blade width of the new blade is different than the old. Reinstall any removed parts.

## BLADE TENSION

After the blade has been installed, set the blade tension by turning the tension adjuster clockwise until it stops.

## ELECTRICAL CONNECTIONS

**⚠ WARNING** Electrical and grounding connections must comply with the applicable portions of the national electrical code and/or other local electrical codes.

**⚠ WARNING** Disconnect the electrical power to the machine and follow lockout / tagout procedures.

A  $\frac{7}{8}$ " diameter hole for  $\frac{1}{2}$ " trade size conduit is located at the upper rear of the column. Use watertight connections. Refer to the machine data plate and the wiring diagram located on the machine when making the electrical connection. Connect the electrical power supply leads to the pigtail leads; use copper wire rated at least 60°C for the connection.

### CHECK MOTOR ROTATION (THREE-PHASE MACHINES)

If the motor does not rotate so the teeth of the saw blade run downward as you look at the cutting zone, correct the rotation using the following procedure:

**⚠ WARNING** Disconnect the electrical power to the machine and follow lockout / tagout procedures.

Interchange any two of the incoming power supply leads. Reconnect the power supply and turn the saw momentarily on and off to verify correct rotation.

### CONTROL BOX HEATER

The meat saw has a heater in the control box to keep the controls dry. The heater is automatically ON when the machine is electrically connected. The meat saw should be connected to the power supply EXCEPT when performing assembly, disassembly, cleaning, or maintenance on the saw.

### CLEAN SAW BEFORE USE

The saw must be thoroughly cleaned and sanitized after installation and before use. Refer to Cleaning, page 11.



# OPERATION

**⚠ WARNING** Safety devices incorporated in this saw must be in their correct operating positions anytime the saw is in use.

## SAFETY FEATURES

### Upper Guide and Guard Assembly

Before turning the saw on, raise or lower the upper guide and guard assembly by grasping the hand knob and sliding up or down so the cutting zone is only as high as necessary for the piece being cut.

### Doors, Covers, and Guards

All doors, covers, and guards must be in their operating position (closed) while the machine is running.

### Pusher Plate

Always keep hands well back from the blade and maintain control of the product. Use the pusher plate as described (page 10) and it will be unnecessary to hold your hand near the cutting edge of the saw blade.

## CONTROLS

- Switch Knob      PULL turns the saw on.
- PUSH turns the saw off.

## SAWING

Place product on carriage. Set the upper guide and guard assembly and the gauge plate before starting the machine.

If using the traveling carriage . . .

Stand in front of machine. Lean lightly against the front of the carriage as you move the carriage to the left, passing the product through the blade at a steady and uniform rate.

Use your left hand to remove and stack cuts, always reaching behind the blade. **NEVER REACH IN FRONT OF THE BLADE.** Return the carriage to the right, pulling the product toward you and away from the blade.

If using the stationary carriage . . .

The carriage may be locked in a stationary position by pulling the spring loaded carriage lock out, rotating it 90° and sliding the carriage until the lock engages (Fig. 13). To unlock the carriage, pull the carriage lock out and rotate it 90° so it rests on its bracket. When sawing with stationary table, observe the same safety procedure of reaching behind the blade when removing or stacking product. **NEVER REACH IN FRONT OF THE BLADE.**

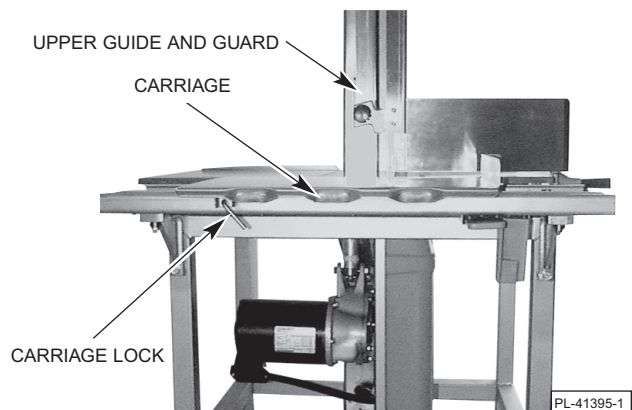


Fig. 13

## GAUGE PLATE

When making several cuts of the same thickness (or when using the pusher plate), set the gauge plate as desired (Fig. 14) by pushing the lock lever and sliding the gauge plate to the thickness you want. A reference scale on the table indicates the thickness of cut. If the gauge plate is not needed, you may release the lock lever and move the gauge plate to the rear; or raise the gauge plate to a vertical position to keep it out of the way.

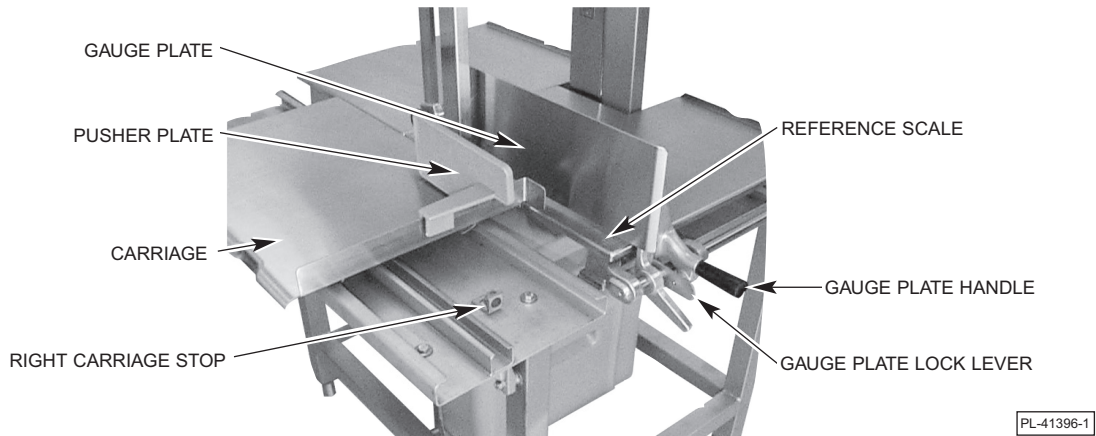


Fig. 14

## PUSHER PLATE

The pusher plate is used to hold meat against the gauge plate when slicing short ends. A slot in the pusher plate and a stop on the right "flanged-end" of the carriage is provided for proper positioning of the pusher plate (Fig. 14). Hold the pusher plate handle with your right hand and always maintain a safe distance from the blade. When not in use, keep the pusher plate under the carriage support (Fig. 2).

## CLEANING AND SANITIZING

**⚠ WARNING** Disconnect the electrical power to the machine and follow lockout / tagout procedures.

The saw must be thoroughly cleaned and sanitized:

Before first use;

After each day's operation;

Anytime it is not to be used for an extended period of time; or

Before being put into operation after an extended downtime.

The meat saw can be cleaned with high-pressure cleaning equipment (available from other suppliers) or it can be disassembled and its components cleaned in a sink. In either case, a neutral pH cleaning agent mixed per the supplier's instructions should be used. After washing, thoroughly sanitize, rinse, and dry the saw and all components.

Disassemble the following saw components to allow access to all areas for cleaning . . .

Upper Pulley Cover

Lower Cover (Scrap Pan)

Tables — Right and Left-Hand

Scrap Tray

Carriage

Column Guard

Pulley Wiper

Blade Scrapers

Lower Blade Guide Assembly

Saw Blade

Upper Guide and Guard Assembly (unscrew Hand Knob to disassemble)

Upper and Lower Pulleys

If using High-Pressure Cleaning Equipment . . .

Scrape the machine and its components to remove any scrap particles before cleaning.

Thoroughly hose the saw and its components following the equipment supplier's instructions. Be sure to get the hose stream into all corners. Stubborn soil may require a little brushing.

If using Sink Cleaning . . .

Use a cloth or brush on base unit. Thoroughly wash, sanitize, rinse, and dry.

Before reassembly, a light coating of tasteless mineral oil should be applied to all metal surfaces. Lubricate six ball bearings on the carriage with a small amount of mineral oil. Apply a few drops of mineral oil to the gauge plate slide rod and work the gauge plate assembly back and forth a few times.

Reassemble the saw components in reverse order of disassembly making sure all parts are properly assembled.

# MAINTENANCE

**⚠ WARNING** Disconnect the electrical power to the machine and follow lockout / tagout procedures.

## LUBRICATION

The motor has permanently lubricated ball bearings and requires no additional lubrication.

The slide bar for the upper guide and guard assembly also requires no lubrication.

After cleaning, apply a small amount of mineral oil to the six ball bearing rollers underneath the carriage, to the gauge plate slide rod, and to the pulley shafts.

## SLIDE BAR ADJUSTMENT

**Note:** The slide bar must be free to move up and down without binding, but must stay in any position which it is moved to.

1. Loosen the two set screws on the side of the slide bar housing (Fig. 15).
2. Remove the two hole plugs (Fig. 15) on the front of the housing.
3. Unscrew the two screws in the front (Fig. 16).
4. Raise the slide bar and slowly tighten the two side set screws (Fig. 15) until the bar is just held in place.
5. Tighten the two front screws (Fig. 16).
6. Check for free up and down movement of the bar and that it stays in any position it is moved to. Repeat steps 1 and 3 thru 6 as required.
7. Reinstall the hole plugs (Fig. 15).

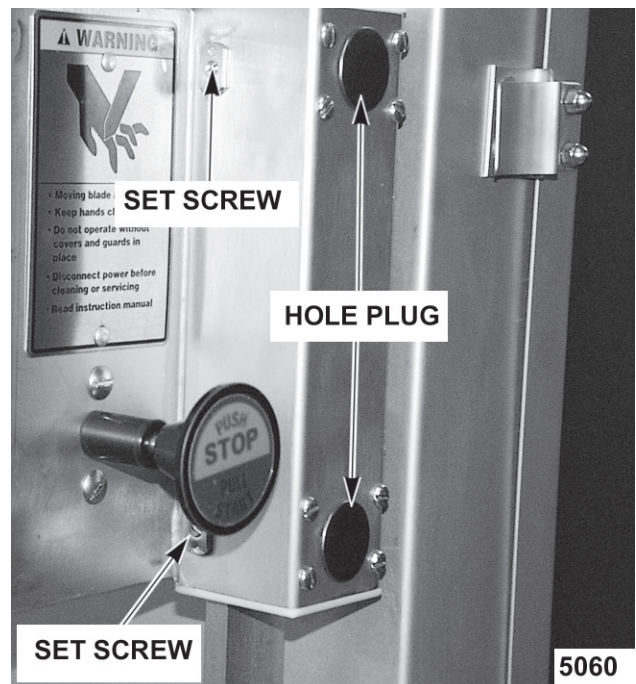


Fig. 15

## CHANGING SAW BLADES

If changing saw blades, disassemble components as described in REMOVING THE BLADE, page 7, and the instructions for any component throughout the manual. Make sure wipers, scrapers, and all other components are properly reassembled. Refer to BLADE TENSION, page 7. Refer to LOWER BLADE GUIDE, page 7.

## SERVICE

Contact your local Hobart Service Office for any repairs or adjustments needed on this equipment.



Fig. 16