

## V SERIES HDR GAS RANGES

### TOPS

Open Top  
Hot Top  
Griddle Top  
Plancha Top  
Work Surface

### BASES

Standard Oven  
Convection Oven  
Cabinet Base

### - NOTICE -

This manual is prepared for use by trained service technicians and should not be used by those not properly qualified. If you have attended a service school for this product, you may still be qualified to perform the procedures described in this manual. This manual is not intended to be all encompassing. If you have not attended a service school for this product, you should read, in its entirety, the repair procedure you wish to perform to determine if you have the necessary tools, instruments and skills required to perform the procedure. Procedures for which you do not have the necessary tools, instruments and skills should be performed by a trained service technician.

**For additional information on Vulcan- Hart or to locate an authorized parts and service provider in your area, visit our website at [www.VulcanEquipment.com](http://www.VulcanEquipment.com).**

## IMPORTANT FOR YOUR SAFETY

THIS MANUAL HAS BEEN PREPARED FOR PERSONNEL QUALIFIED TO INSTALL GAS EQUIPMENT, WHO SHOULD PERFORM THE INITIAL FIELD START-UP AND ADJUSTMENTS OF THE EQUIPMENT COVERED BY THIS MANUAL.

POST IN A PROMINENT LOCATION THE INSTRUCTIONS TO BE FOLLOWED IN THE EVENT THE SMELL OF GAS IS DETECTED. THIS INFORMATION CAN BE OBTAINED FROM THE LOCAL GAS SUPPLIER.

### IMPORTANT

IN THE EVENT A GAS ODOR IS DETECTED, SHUT DOWN UNITS AT MAIN SHUTOFF VALVE AND CONTACT THE LOCAL GAS COMPANY OR GAS SUPPLIER FOR SERVICE.

### FOR YOUR SAFETY

Do not store or use gasoline or other flammable vapors or liquids in the vicinity of this or any other appliance.

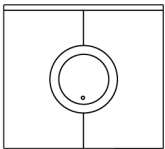

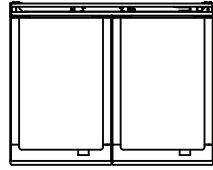
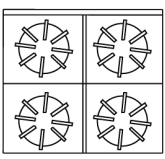
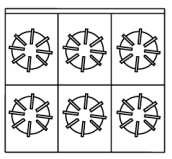
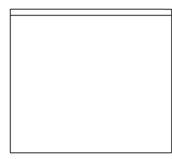
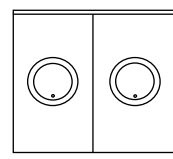
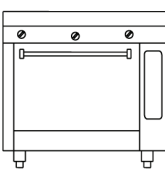
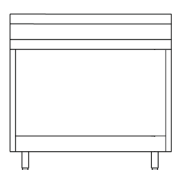
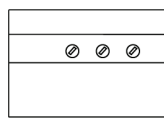

### WARNING

Improper installation, adjustment, alteration or modification, service or maintenance can cause property damage, injury or death. Read the installation, operating and maintenance instructions thoroughly before installing or servicing this equipment.

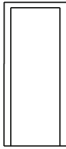
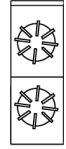
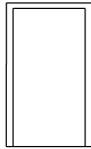
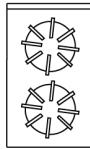
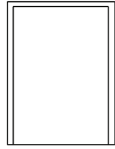
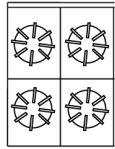
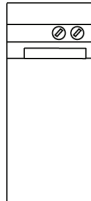
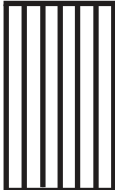
IN THE EVENT OF A POWER FAILURE, DO NOT ATTEMPT TO OPERATE THIS DEVICE.

# CONFIGURATION OF HEAVY DUTY RANGES

## 36" WIDE RANGES

<p><b>V1FT36</b> 36" FRENCH TOP</p> 	<p><b>VGM36</b> <b>VGMT36</b> 36" GRIDDLE TOP</p> 	<p><b>V2P36</b></p> 	
<p><b>V4B36</b> <b>V4B36U</b> FOUR OPEN TOP BURNERS (2) 18" SECTIONS</p> 	<p><b>V6B36</b> <b>V6B36U</b> SIX OPEN TOP BURNERS (3) 12" SECTIONS</p> 	<p><b>VWT36</b> 36" WORK TOP SURFACE</p> 	<p><b>V2FT36</b> 36" WIDE DOUBLE FRENCH TOP</p> 
<p>36" FULL BODY STANDARD OVEN CONVECTION OVEN (C)</p> 	<p>36" FULL BODY OPEN STORAGE BASE</p> 	<p>36" MODULAR BASE (M)</p> 	<p>36" WIDE CHARBROILER</p> 

## 12", 18" & 24" WIDE EXPANDO RANGES

<p>12" GRIDDLE</p> 	<p>2 OPEN TOP BURNERS (1) 12" SECTION</p> 	<p>18" GRIDDLE</p> 	<p>2 OPEN TOP BURNERS (1) 18" SECTION</p> 	<p>24" GRIDDLE</p> 	<p>4 OPEN TOP BURNERS (2) 12" SECTIONS</p> 
<p>12", 18" &amp; 24" OPEN STORAGE BASE</p> 		<p>24" WIDE CHARBROILER</p> 			

# Installation, Operation and Care Of HEAVY DUTY SECTIONAL GAS RANGES

**PLEASE KEEP THIS MANUAL FOR FUTURE REFERENCE**

## GENERAL

Heavy duty sectional ranges are produced with quality workmanship and material. Proper installation, usage and maintenance of your range will result in many years of satisfactory performance.

The manufacturer suggests that you thoroughly read this entire manual and carefully follow all of the instructions provided.

## INSTALLATION

### UNPACKING

This range was inspected before leaving the factory. The transportation company assumes full responsibility for safe delivery upon acceptance of the shipment. Immediately after unpacking, check for possible shipping damage. If the range is found to be damaged, save the packaging material and contact the carrier within 15 days of delivery.

Carefully unpack range(s) and place in the approximate installation position, whether as a battery or single stand-alone range.

Remove parts (packed in a cardboard box) from oven cavity, or cabinet body, or on top of modular range(s).

Remove wire or nut from rear of each burner before installing the range.

Before installing, check the electrical service (Convection Oven Models only) and type of gas supply (natural or propane) to make sure they agree with the specifications on the rating plate located on the inside of the burner box lower panel. The rating plate will show the voltage, phase, cycle, full load ampere, BTU, as well as the type of gas. If the supply and equipment requirements do not agree, do not proceed with the installation. Contact your dealer or manufacturer.

### LOCATION

The equipment area must be kept free and clear of combustible substances.

### INSTALLATION CLEARANCES

Open Tops: 6" at rear to combustible construction and 0" to non-combustible.  
10" at sides to combustible construction and 0" at sides for non-combustible constructions.

Hot Tops / Manual Griddles: 6" at rear to combustible construction and 0" to non-combustible.  
4" at sides to combustible construction and 0" to sides for non-combustible constructions.

Thermo-Controlled Griddle / French Plate: 6" at rear to combustible construction and 0" to non-combustible. 2" at sides to combustible construction and 0" to sides for non-combustible constructions.

Work Top: 0" at sides and rear to combustible and non-combustible construction.

Ovens: Standard Oven - 3" at sides and rear for combustible and 0" to non-combustible construction.  
Convection Oven - 1" at sides and rear for combustible and 0" to non-combustible construction.

The ranges are suitable for installation on combustible floors when 6" (152 mm) adjustable legs are used. When legs are removed, use only on noncombustible floors, curb, or platform, with front appliance projecting 3" (76 mm) beyond curb or platform.

Ranges with convection ovens should be installed on 6" (152 mm) legs or casters, allowing 6" (152 mm) clearance from the rear of the range. If ranges with convection ovens are installed directly on curbs, without legs, or in back-to-back installations, provisions must be made for adequate air circulation, and these provisions must be approved by the manufacturer's Service Department. Contact the Service Department at the address or phone number shown on the front cover of this manual.

All modular ranges are to be installed only on non-combustible floors.

The installation location must allow adequate clearances for servicing and proper operation. A minimum front clearance of 35" (889 mm) is required.

The range(s) must be installed so that the flow of combustion and ventilation air will not be obstructed. Adequate clearance for air openings into the combustion chamber(s) must be provided. Make sure there is an adequate supply of air in the room to allow for combustion of the gas at the burners.

## **INSTALLATION CODES AND STANDARDS**

Your range(s) must be installed in accordance with:

### **In the United States:**

1. State and local codes.
2. National Fuel Gas Code, ANSI/Z223.1/NFPA #54 (latest edition). Copies may be obtained from The American Gas Association, Accredited Standards Committee Z223 @ 400 N. Capital St. NW, Washington, DC 2001 or the Secretary Standards Council, NFPA, 1 Batterymarch Park, Quincy, MA 02169-7471.  
NOTE: In the Commonwealth of Massachusetts, All gas appliances vented through a ventilation hood or exhaust system equipped with a damper or with a power means of exhaust shall comply with 248 CMR.
3. Vapor Removal From Cooking Equipment, NFPA #96 (latest edition). Copies may be obtained from The National Fire Protection Association, Batterymarch Park, Quincy MA 02169-7471.
4. National Electrical Code, ANSI/NFPA-70 (latest edition). Copies may be obtained from The National Fire Protection Association, Batterymarch Park, Quincy, MA 02169-7471.

### **In Canada:**

1. Local codes.
2. CSA B149.1 Natural Gas and Propane Installation Code.
3. CSA C22.1 Canadian Electrical Code (latest edition).

The above are available from The Canadian Standard Association, 5060 Spectrum Way, Suite 100, Mississauga, Ontario, Canada L4W 5N6.

## RANGES MOUNTED ON CASTERS

Ranges mounted on casters must use a flexible connector (not supplied by manufacturer) that complies with the Standard for Connectors for Movable Gas Appliances, ANSI Z21.69 • CSA 6.16 and a quick-disconnect device that complies with the Standard for Quick-Disconnect Devices for Use With Gas Fuel, ANSI-Z21.41 • CSA 6.9. In addition, adequate means must be provided to limit movement of the appliance without depending on the connector and the quick-disconnect device or its associated piping to limit appliance movement. Attach the restraining device at the rear of the range as shown in Fig. 1.

If disconnection of the restraint is necessary, turn off the gas supply before disconnection. Reconnect this restraint prior to turning the gas supply on and returning the range to its installation position.

Separate instructions for installing casters to the range are included with the casters.

Note: If the range is installed on casters and is moved for any reason, it is recommended that the range be leveled front to back and side to side.

## LEVELING

### Curb Installation

Ranges must overhang curb 3" (76 mm) in front.

### Convection Oven

Remove lower front kick plate. Remove two screws holding electric gas valve and move valve off to the side. Pull oven burner out of compartment through opening. Adjust four corner bolts to level range. Replace burner valve and kick plate.

### Floor Installation on Legs

The 6" (152 mm) adjustable legs must be tightened securely. Level each range by turning the foot portion of the adjustable legs.

### Lining up Range Battery

In batteries of ranges, it is recommended that the center range be installed and leveled first. Level each range, one at a time, to line up high shelf and roll front with adjacent range. Bolt the high shelves and roll fronts together.

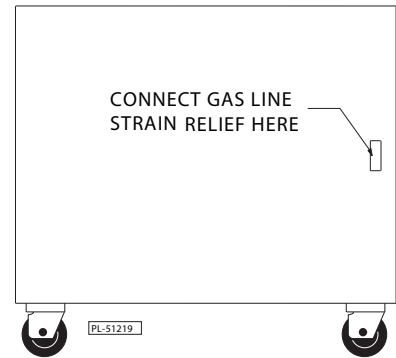


Fig. 1

## CONNECTION OF MANIFOLDS IN BATTERY

Two or more ranges can be coupled together at the manifold by removing the front control panel to make necessary connections. Be sure to cap open ends. To connect:

1. In a large battery of eight or more ranges, gas should be fed from both ends of the battery. "T" gas connections can be installed whenever necessary for increased gas supply. For further details, consult your gas company.
2. Align the front edge of the ranges and adjust the legs to bring the manifolds together inline for connection. Clamps may be used to pull the ranges together.
3. Connect the unions between the gas manifolds.
4. Use the battery clip at the back of the range base to hold the units together.
5. Before replacing the manifold covers, check all gas connections for leaks. (See GAS CONNECTIONS in this manual. )

If appliance has rear gas connection, carefully check for open gas lines.

The gas pressure regulator must have proper outlet pressure capacity for this battery application.

## GAS CONNECTIONS

**NOTICE** All gas supply connections and any pipe joint compound used must be resistant to the action of propane gases.

This appliance must be connected with a gas supply line as large or larger ID (net inside diameter) than the gas pipe inlet provided on the rear of the appliance. Connect gas supply to the range(s). Make sure the pipes are clean and free of obstructions, dirt, and piping compound.

Codes require that a gas shutoff valve be installed in the gas line ahead of the range(s).

An external gas pressure regulator must be installed on the unit at the time of installation. The regulator must be listed by a nationally recognized testing agency. These appliances are rated at the following pressure: Natural Gas - 6" W.C. (Water Column) (1.25 kPa); Propane Gas - 10" W.C. (2.49 kPa).

**⚠ WARNING** Prior to lighting, check all joints in the gas supply line for leaks. Use soap and water solution. Do not use an open flame.

- A. Check all joints prior to the gas valve (solenoid) before lighting unit.
- B. Check all joints beyond gas valve (solenoid) after unit is lit.

After piping has been checked for leaks, all piping receiving gas should be fully purged to remove air.

## TESTING THE GAS SUPPLY SYSTEM

When test pressures exceed  $\frac{1}{2}$  psig (3.45 kPa), the range and its individual shutoff valve must be disconnected from the gas supply piping system.

When test pressures are  $\frac{1}{2}$  psig (3.45 kPa) or less, the range must be isolated from the gas supply system by closing its individual manual shutoff valve.

## FLUE CONNECTIONS

DO NOT obstruct the flow of flue gases from the flue duct located on the rear of the range. It is recommended that the flue gases be ventilated to the outside of the building through a ventilation system installed by qualified personnel.

A minimum of 18" (457 mm) must be maintained between the ventilation system and the cooking surface.

Information on the construction and installation of ventilating hoods may be obtained from the standard for "Vapor Removal from Cooking Equipment," NFPA No. 96 (latest edition), available from the National Fire Protection Association, Batterymarch Park, Quincy, MA 02169-7471.



## ELECTRICAL CONNECTIONS

**⚠ WARNING** Electrical and grounding connections must comply with the applicable portions of the national electrical code and/or other local electrical codes.

**⚠ WARNING** Appliances equipped with a flexible electric supply cord are provided with a three-prong grounding plug. It is imperative that this plug be connected properly into a properly grounded three-prong receptical. If the receptical is not the proper grounding type, contact an electrician. Do not remove the grounding prong from this plug.

Do not connect the range to electrical supply until after gas connections have been made.

## LIGHTING AND SHUTTING DOWN PILOTS

### Open Top, Griddle Top, and Hot Top

1. Turn the main gas supply ON.
2. Turn all top burner valves to ON to purge gas line of air. (Length of time to purge air will vary.)
3. Turn top burner valve knobs to OFF.
4. Wait 30 seconds.
5. Using a taper, light the pilot(s).
6. If pilot fails to light, wait 5 minutes and repeat Steps 1 through 5.

Nightly Shutdown: Turn burner valve OFF; pilot will remain lit.

Complete Shutdown: Turn burner valve OFF; pilot will remain lit. Turn main gas valve OFF.

### Standard Oven - "S" Model (Fig. 2)

1. Turn Thermostat and Shut-Off Valve to the OFF position.
2. Wait 5 minutes.
3. Remove lower panel to locate pilot cutout.
4. Using a taper, light oven pilot by depressing the red ignition button located on the side control panel below the thermostat knob.
5. Continue to hold down Red Button for at least 30 seconds.
6. When Red Button is released, Pilot should remain lit.
7. Turn Shut-Off Valve to the ON position and turn the Thermostat to the desired temperature.
8. Replace lower panel.
9. If pilot flame becomes extinguished or does not light, repeat Steps 1 through 6.

Nightly Shutdown: Turn Thermostat to OFF; pilot will remain lit.

Complete Shutdown: Turn Thermostat and Shut-Off Valve to OFF. Turn main gas valve OFF.

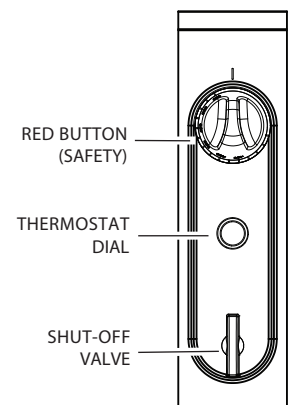


FIG 2

### Convection Oven - "C" Model (Fig. 3)

1. Connect range to main electrical supply.
2. Turn Thermostat and Shut-Off Valve to the OFF position.
3. Turn Fan Switch to OFF position.
4. Wait 5 minutes.
5. Remove lower panel to locate pilot cut out.
6. Using a taper, light oven pilot by depressing the red ignition button located on the side control panel above the Shut-Off Valve.
7. Continue to hold down the Red Button for at least 30 seconds.
8. When Red Button is released, Pilot should remain lit.
9. Turn Shut-Off Valve to the ON position and turn the Thermostat to the desired setting.
10. Replace lower panel.
11. If pilot flame becomes extinguished or does not light, repeat Steps 1 through 8.

Nightly Shutdown: Turn Thermostat to OFF; pilot will remain lit.

Complete Shutdown: Turn the Thermostat, Shut-Off Valve, and Fan Switch to OFF. Turn main gas valve OFF.

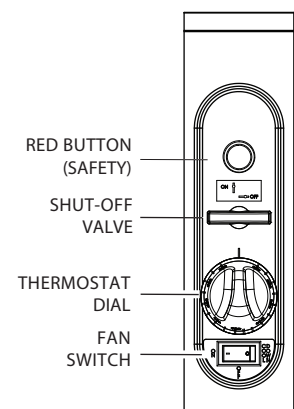


FIG 3

# OPERATION

**⚠ WARNING** The range and its parts are hot. Use care when operating, cleaning or servicing the range.

## BEFORE FIRST USE

**Griddle Tops:** Before using your griddle, the protective coating that was applied at the factory must be completely removed with a commercial degreaser. After a thorough cleaning, apply a high temperature, salt-free frying oil and you are ready to use the griddle.

The griddle requires no “breaking-in” or “seasoning”.

## OPERATING SUGGESTIONS

**Standard Oven:** If you have a standard oven, use your normal recipe times and temperatures.

**Convection Oven:** The convection oven does everything a regular oven can do, but with less energy consumption. The oven pre-heats faster, and baking time, temperature settings, and shrinkage are reduced.

In general, reduce temperature 25°F (10°C) from conventional recipes.

Check product at half the time of the regular recipe.

Level pans bake more evenly; warped pans will give uneven baking results.

## CLEANING

**⚠ WARNING** Turn off gas supply to the machine.

**⚠ WARNING** Disconnect the electrical power and follow lockout / tagout procedures.

### Open Top Burners

#### *Daily*

Remove grates and clean under and around open burners.

1. Clean bottom drip pan. To remove drip pan, reach under and lift rear of pan about 1" (25 mm), slide pan to the rear about 1/2" (13 mm), and drop front end of pan free. Slide pan forward between the front legs. To replace pan, reverse this procedure.

#### *Weekly*

1. Clean each burner thoroughly. Clean stainless steel or chromed surfaces with a damp cloth and polish with a soft dry cloth. A detergent may be used for cleaning. To remove discolorations, use a non-abrasive cleaner, always rubbing with the grain of the metal.
2. Burner air shutter openings must be kept clean.
3. Main burner ports and throats must be thoroughly cleaned. Venturi must be free from grease and lint. To clean burners, run through a dish washer. Stand on air shutter end to air dry. DO NOT insert pick in burner port hole.

### Griddle Top

Empty grease daily. Clean griddle top regularly.

KEEP GRIDDLE PLATE SURFACE CLEAN. To produce evenly cooked, browned products, keep griddle free of carbonized grease. Carbonized grease on the surface hinders the transfer of heat from the griddle surface to food. This results in spotty browning and loss of cooking efficiency, and carbonized grease tends to stick to the griddled foods, giving them a highly unsatisfactory and unappetizing appearance.

To keep the griddle clean, follow these simple instructions:

#### *After Each Use*

Clean griddle with a wire brush or flexible spatula.

#### *Daily*

1. Thoroughly clean backsplash, sides and front. Remove grease drawer, empty it and wash it out in the same manner as any ordinary cooking utensil.
2. Clean griddle surface thoroughly. Use a griddle stone, wire brush or stainless steel wool on the surface. Rub with the grain of the metal while the griddle is still warm. A detergent may be used on the plate surface to help clean it, but you must ensure the detergent is thoroughly removed.
3. Clean stainless surfaces with a damp cloth and polish with a soft dry cloth. To remove discolorations, use a non-abrasive cleaner.

## **Exterior**

### *Daily*

Clean exterior finish with a mild solution of soap or grease-dissolving cleaner.

## **Range Tops**

### *Daily*

1. Wipe top while still warm with a soft cloth.
2. Clean drip pan under burners.

### *Weekly*

Boil open top grates and burners in a solution of washing soda and water.

## **Range Ovens**

### *Daily*

Clean oven and door daily.

Do not use scouring powder on finishes. Scouring powder is extremely difficult to remove completely. It can build up accumulations that will damage the oven or remove corrosion resistant finishes.

## **STAINLESS STEEL**

Here are a few simple cleaning procedures that have been found effective for keeping stainless steel equipment clean, sparkling and bright.

### **General Cleaning**

Use ordinary soap or detergent and water for routine cleaning of stainless steel. To prevent water spots and streaks, rinse thoroughly with warm water and wipe dry with a soft clean cloth. The addition of a rinsing agent will also help prevent spotting.

### **Fingerprints**

Fingerprints are sometimes a problem on highly polished surfaces of stainless steel. They can be minimized by applying a cleaner that will leave a thin oily or waxy film.

To use these cleaners, simply wipe on and remove excess with a soft dry cloth. After using, subsequent fingerprints will usually disappear when wiped lightly with a soft cloth or with a cloth containing a little of the cleaner. If the surface is especially dirty to start, wash first with soap or detergent and water.

### **Burned-On Foods and Grease**

Soaking with hot soapy water will help greatly to remove burned-on foods and grease.

**Precautions**

When scraping off heavy deposits of grease or oil from stainless steel equipment, never use ordinary steel scrapers. Particles of ordinary steel may become embedded in, or lodge on, the surface of the stainless steel. These will rust, causing unsightly stains and possible contamination of food. Where it is necessary to scrape, use stainless steel, wood, plastic or rubber tools.

# MAINTENANCE

**⚠ WARNING** Turn off gas supply to the machine.

**⚠ WARNING** Disconnect the electrical power and follow lockout / tagout procedures.

## LUBRICATION

All moving parts must be checked for wear and lubricated. Contact your local Vulcan authorized servicer.

All valves and controls should be lubricated by your local Vulcan authorized servicer, using a high-temperature grease.

Motors in these convection ovens are permanently lubricated and require no additional maintenance.

## FLUE

Annually check the flue when it is cool to be sure it is free of obstructions.

## SERVICE AND PARTS INFORMATION

To obtain service and parts information concerning this model, contact the Authorized Service Agency in your area (refer to the manufacturer's website for a complete listing of Authorized Service and Parts depots) or contact 1-800-814-2028 for Technical service and parts assistance.

When calling for service, the following information must be available: model number, serial number, manufacture date (MD) and voltage.

# TROUBLESHOOTING

## OVEN

PROBLEM	PROBABLE CAUSES
<p>Too Much Bottom Heat</p> <p>Uneven Bake</p> <p>Side Burning</p>	<p>Insufficient heat input. (Call Service)</p> <p>Overactive flue. (Call Service)</p> <p>Too low temperature.</p> <p>Improper operation.</p> <p>Improper bypass setting. (Call Service)</p> <p>Fluctuating gas pressure. (Call Service)</p>
<p>Too Much Top Heat</p>	<p>Too high temperature.</p> <p>Faulty ventilation. (Call Service)</p> <p>Excessive heat input. (Call Service)</p> <p>Thermostat needs calibration. (Call Service)</p>
<p>Uneven Bake - Side to Side</p>	<p>Range not level side to side.</p> <p>Oven burner, bottom or baffles improperly installed.</p>
<p>Pulling to Edge of Pan</p>	<p>Warped pans.</p> <p>Oven not level.</p>
<p>Uneven Bake - Front to Rear</p>	<p>Overactive flue. (Call Service)</p> <p>Range not level front to back.</p> <p>Door not closing properly.</p>
<p>Dried Out Products</p>	<p>Too low temperature.</p> <p>Too long baking time.</p> <p>Thermostat calibration. (Call Service)</p>
<p>Pilot Outage</p>	<p>Gas supply not sufficient. (Call Service)</p> <p>Pilot flame too low. (Call Service)</p> <p>Restriction in pilot orifice. (Call Service)</p> <p>Problem with safety valve. (Call Service)</p> <p>CONVECTION OVEN MODELS ONLY:</p> <p>Cavity leaking. (Call Service)</p> <p>Gasket problems. (Call Service)</p> <p>Convection oven tube blocked.</p> <p>Blower running backwards. (Call Service)</p>
<p>Excessive Meat Shrinkage</p>	<p>Roasting temperature too high.</p>



## TOP BURNER OPERATION

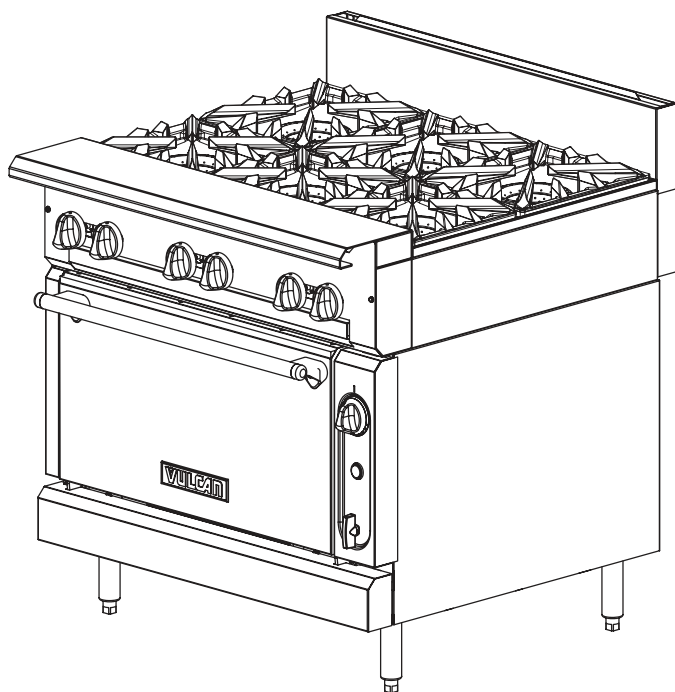
PROBLEM	PROBABLE CAUSES
Improper Burner Combustion Excessive Valve Handle Temperatures Sticking Top Burner Valves	Improper ventilation. (Call Service) Poor door fit. (Call Service) Oven door left open.
Poor Ignition	Insufficient gas input. (Call Service) Poor air-to-gas adjustment. (Call Service) Restriction in pilot orifice. (Call Service) Restriction in main burner ignition port. (Call Service) Restriction in control valve. (Call Service) Restriction in gas orifice. (Call Service)





## VULCAN

UNE ÉQUIPE DU TONNERRE



## *GRILLOIRS HDR DE LA SÉRIE V*

### SURFACES

Brûleur découvert  
Plaque à bouillir  
Plaque à frire  
Surface de travail

### BASES

Four conventionnel  
Four à air pulsé  
Sur meuble

### **- AVIS -**

Ce manuel a été préparé à l'intention de techniciens de l'entretien qui ont reçu une formation et ne devrait pas être utilisé par des personnes qui ne sont pas qualifiées. Si vous avez assisté à un atelier de formation sur ce produit, vous pouvez aussi être qualifié pour exécuter les procédures décrites dans ce manuel.

Ce manuel peut ne pas couvrir tous les aspects de cet appareil. Si vous n'avez pas assisté à un atelier de formation sur cet appareil, vous devriez lire, en entier, la procédure qui se rapporte à la réparation que vous désirez effectuer pour déterminer si vous avez les outils, les instruments et les compétences requises pour la faire. Si ce n'est pas le cas, vous devrez avoir recours à un technicien qualifié de l'entretien.

**Pour de plus amples détails concernant Vulcan-Hart ou pour repérer le détaillant de pièces et de service autorisé le plus près, visiter notre site Web à [www.vulcanequipment.com](http://www.vulcanequipment.com)**

# MESURES DE SÉCURITÉ IMPORTANTES

CE MANUEL A ÉTÉ PRÉPARÉ À L'INTENTION D'UN PERSONNEL QUALIFIÉ ET AUTORISÉ À INSTALLER DES APPAREILS FONCTIONNANT AU GAZ ET À EFFECTUER LE DÉMARRAGE INITIAL CHEZ LE CLIENT DE MÊME QUE LE RÉGLAGE DES APPAREILS CONCERNÉS DANS CE MANUEL.

AFFICHER À UN ENDROIT VISIBLE LES PREMIERS SOINS À ADMINISTRER À TOUTE PERSONNE AYANT RESPIRÉ LES GAZ QUE CET APPAREIL DÉGAGE. ON PEUT SE PROCURER CES INFORMATIONS CHEZ LE FOURNISSEUR DE GAZ LE PLUS PRÈS.

## IMPORTANT

EN CAS D'ODEURS DE GAZ, ÉTEINDRE L'APPAREIL PAR LE ROBINET D'ARRÊT PRINCIPAL ET COMMUNIQUER AVEC LA COMPAGNIE DE GAZ LA PLUS PRÈS OU AVEC LE FOURNISSEUR DE GAZ ATTITRÉ POUR L'ENTRETIEN.

## MESURE DE SÉCURITÉ

Ne pas ranger ni utiliser de l'essence ni tout autre liquide ou vapeur inflammable à proximité de cet appareil ou de tout autre appareil

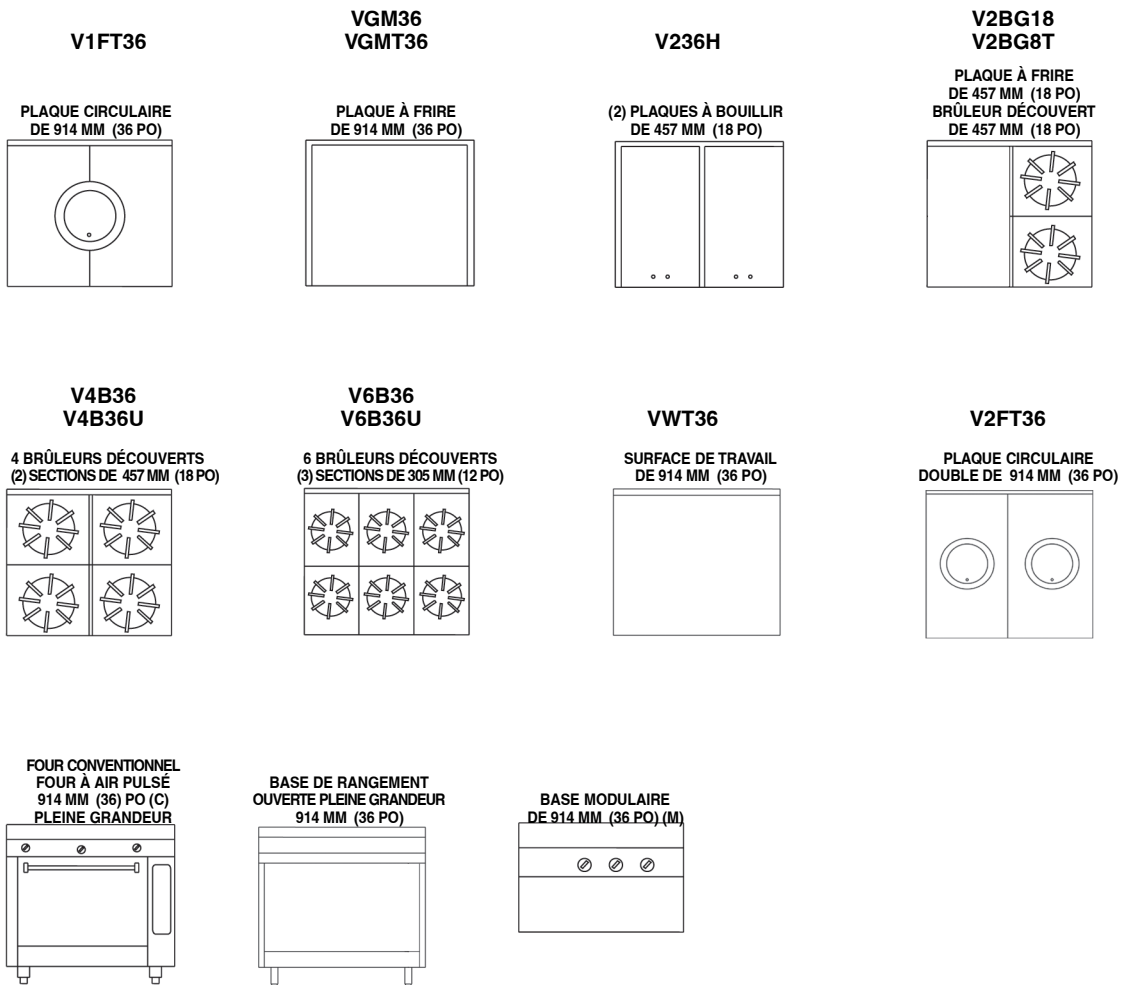
## AVERTISSEMENT

L'installation, le réglage, la modification et l'entretien incorrects de cet appareil peuvent causer des dommages matériels, des blessures et même la mort. Lire les instructions d'installation, de fonctionnement et d'entretien avant de procéder à toute installation ou tout entretien.

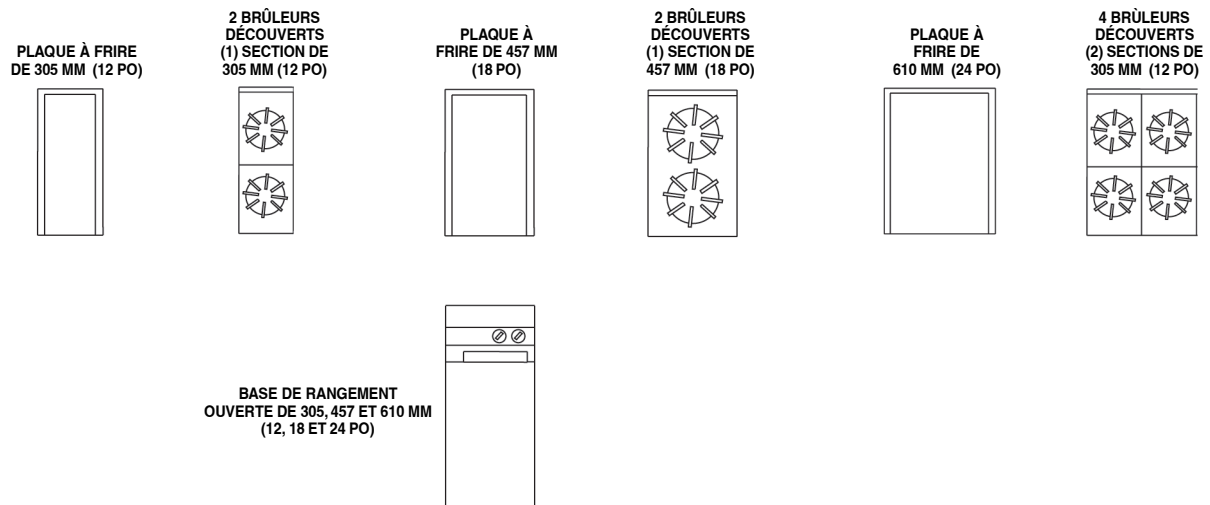
EN CAS DE PANNE DE COURANT, NE PAS FAIRE FONCTIONNER CET APPAREIL.

# CONFIGURATIONS DES CUISINIÈRES À SERVICE INTENSE

## CUISINIÈRES DE 914 MM (36 PO)



## CUISINIÈRES EXPANDO DE 305, 457 ET 610 MM (12, 18 ET 24 PO) DE LARGEUR



# Installation, fonctionnement et entretien CUISINIÈRES AU GAZ À SECTIONS À SERVICE INTENSE

DOCUMENT À CONSERVER EN CAS DE BESOIN.

## GÉNÉRALITÉS

Les cuisinières au gaz à service intense à sections sont fabriquées avec le plus grand soin et à partir des meilleurs matériaux. Leur installation, utilisation et entretien appropriés permettront d'en obtenir un rendement optimal pendant de nombreuses années.

Il est recommandé de lire ce manuel au complet et de suivre attentivement toutes les instructions.

## INSTALLATION

### DÉBALLAGE

Cette cuisinière a été inspectée avant de quitter l'usine. En acceptant de livrer cette marchandise, le transporteur en assume l'entière responsabilité jusqu'à la livraison. Immédiatement après avoir déballé l'appareil, vérifier s'il n'a pas été endommagé lors du transport. En cas de dommages, conserver le matériel d'emballage et aviser le transporteur dans les 15 jours suivant la date de réception.

Sortir l'appareil de sa caisse avec soin et le placer le plus près possible de l'emplacement prévu, seul ou en série.

Enlever toutes les pièces emballées dans une boîte de carton qui se trouve dans l'enceinte de cuisson, le meuble ou sur le dessus des cuisinières modulaires.

Enlever le câble ou écrou à l'arrière de chaque brûleur avant d'installer la cuisinière.

Avant l'installation, s'assurer que l'alimentation électrique (modèles pourvus d'un four à air pulsé seulement) et le type de gaz (naturel ou propane) de l'immeuble correspondent aux spécifications de la plaque signalétique se trouvant à l'intérieur de la boîte du brûleur du panneau inférieur. La plaque signalétique indique l'alimentation, la phase, le cycle, le courant à pleine charge, le nombre de BTU ainsi que le type de gaz. S'ils ne correspondent pas, ne pas installer l'appareil et communiquer sans tarder avec votre détaillant.

### DÉGAGEMENTS REQUIS POUR INSTALLATION

Brûleurs découverts: 152 mm (6 po) requis à l'arrière de toute construction combustible et aucun dégagement requis de toute construction incombustible. 254 mm (10 po) requis sur les côtés de toute construction combustible et aucun dégagement requis de toute construction incombustible.

Plaques à bouillir / Plaques à frirre manuelles: 152 mm (6 po) requis à l'arrière de toute construction combustible et aucun dégagement requis de toute construction incombustible. 102 mm (4 po) requis sur les côtés de toute construction combustible et aucun dégagement requis de toute construction incombustible.

Plaques à frirre / Plaques circulaires à thermo-régulateur: 152 mm (6 po) requis à l'arrière de toute construction combustible et aucun dégagement requis de toute construction incombustible. 51 mm (2 po) requis sur les côtés de toute construction combustible et aucun dégagement requis de toute construction incombustible.

Table de travail: Aucun dégagement requis sur les côtés et à l'arrière de toute construction combustible et incombustible

Fours: Four conventionnel – 76 mm (3 po) requis sur les côtés et à l'arrière de toute construction combustible et aucun dégagement requis de toute construction incombustible. Four à air pulsé – 25 mm (1 po) requis sur les côtés et à l'arrière de toute construction combustible et aucun dégagement requis de toute construction incombustible.

L'installation des cuisinières peut se faire sur un plancher combustible lorsqu'on utilise des pattes réglables de 152 mm (6 po). Lorsque les pattes sont enlevées, installer l'appareil seulement sur un plancher incombustible, un muret ou une plate-forme, le devant de l'appareil dépassant de 76 mm (3 po) le muret ou la plate-forme.

Installer les cuisinières munies de fours à air pulsé sur des pattes ou roulettes de 152 mm (6 po), en observant un dégagement de 152 mm (6 po) à l'arrière de l'appareil. Si les cuisinières munies de fours à air pulsé sont installées directement sur un muret, sans pattes, ou lors d'installations dos-à-dos, prévoir un dégagement suffisant pour assurer une circulation d'air adéquate qui doit être approuvé par le service de l'entretien de votre fabricant. L'adresse et le numéro de téléphone sont inscrits à la page couverture de ce manuel.

Toutes les cuisinières modulaires doivent être installées sur un plancher incombustible seulement.

Les cuisinières doivent se trouver dans un endroit suffisamment espacé pour permettre leur entretien et leur fonctionnement appropriés. Un dégagement minimal de 889 mm (35 po) est requis devant l'appareil.

Installer les cuisinières de manière à assurer la circulation de l'air nécessaire à la combustion des gaz et à la ventilation appropriées de l'appareil. Observer un dégagement suffisant autour des ouvertures d'approvisionnement d'air de la chambre de combustion. S'assurer d'une bonne ventilation dans le local pour permettre la combustion des gaz.

## **CODES D'INSTALLATION ET NORMES**

L'installation de votre cuisinière doit se faire selon les codes suivants :

### **Aux États-Unis :**

1. Codes locaux
2. Norme ANSI/Z223.1/NFPA No 4 (dernière édition) du National Fuel Gas Code dont on peut se procurer un exemplaire auprès de l'American Gas Association Inc., Comité de normalisation reconnu Z223, 400 N. Capital St. NW, Washington, DC 2001 ou le Secrétaire du Comité de normalisation, NFPA, 1 Batterymarch Park, Quincy, MA 02169-7471.  
NOTA : Dans l'État du Massachusetts, tous les appareils au gaz ventilés par une hotte de ventilation ou un système d'évacuation muni d'un registre ou de moyens d'évacuation à puissance doivent être conformes à la réglementation 248 CMR.
3. Évacuation de la fumée des appareils de cuisson, norme NFPA No 96 (dernière édition) dont on peut se procurer un exemplaire auprès de la National Fire Protection Association, Batterymarch Park, Quincy MA 02169-7471.
4. Norme ANSI/NFPA-70 (dernière édition) du National Electrical Code dont on peut se procurer un exemplaire auprès de la National Fire Protection Association, Batterymarch Park, Quincy, MA 02169-7471.

On peut se procurer un exemplaire des normes ci-dessus auprès de l'Association canadienne de normalisation, 5060 Spectrum Way, Bureau 100, Mississauga, Ontario, Canada L4W 5N6.

### **Au Canada :**

1. Codes locaux.
2. Norme CSA B149.1 du Code d'installation des appareils fonctionnant au gaz naturel et propane.
3. Norme CSA C22.1 du Code canadien de l'électricité (dernière édition).



## CUISINIÈRES SUR ROULETTES

Si l'appareil doit être installé sur des roulettes, se munir d'un connecteur flexible (non fourni par le fabricant) conforme aux normes ANSI-Z21.69 • CSA 6.16 sur les connecteurs des appareils au gaz mobile et d'un raccord à débranchement rapide conforme aux normes ANSI-Z21.41 • CSA 6.9. En plus, prendre les moyens nécessaires pour limiter le mouvement de l'appareil sans devoir compter sur le connecteur ou le raccord à débranchement rapide, ni même sur la tuyauterie pour le garder immobile. Fixer le dispositif de retenue à l'arrière de la cuisinière (Fig. 1).

S'il s'avère nécessaire de détacher le dispositif de retenue, couper l'alimentation en gaz de l'appareil. Le rattacher avant de rétablir l'alimentation en gaz et de remettre l'appareil en position d'exploitation.

Des instructions pour l'installation de roulettes sont incluses avec les roulettes séparément.

Nota : Si la cuisinière est installée sur des roulettes et doit être déplacée pour une raison ou une autre, il est conseillé de la niveler à nouveau d'avant en arrière et d'un côté à l'autre.

## NIVELAGE

### Installation sur un muret

Les cuisinières doivent dépasser le devant du muret de 76 mm (3 po).

### Four à air pulsé

Enlever la plaque de bas de porte. Enlever les deux vis qui retiennent la soupape à gaz électrique et la pousser sur le côté à Off (arrêt). Retirer le brûleur du compartiment à travers l'ouverture. Régler les boulons aux quatre coins pour niveler la cuisinière. Replacer la soupape du brûleur et la plaque de bas de porte.

### Installation des pattes sur un plancher

Attacher les pattes de 152 mm (6 po) réglables de façon sécuritaire. Niveler chaque cuisinière en tournant la partie du pied des pattes réglables.

### Alignement d'une cuisinière raccordée en batterie

Pour les cuisinières raccordées en batterie, il est conseillé d'installer et de niveler la cuisinière centrale en premier. Niveler chaque cuisinière, une à la fois, pour aligner la tablette surélevée et la pièce d'appui arrondie avant avec la cuisinière adjacente. Boulonner les tablettes surélevées et les pièces arrondies avant ensemble.

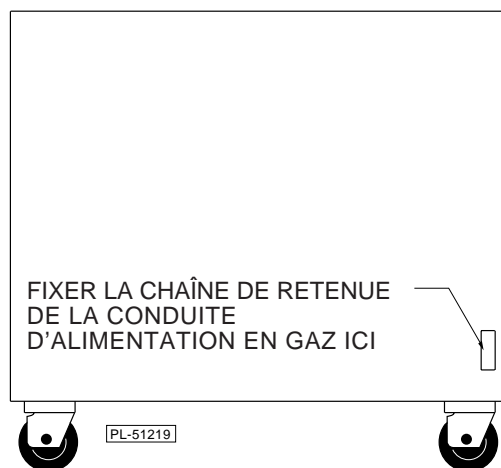


Fig. 1

## **RACCORDEMENT DE LA TUBULURE D'ALIMENTATION EN BATTERIE**

Deux cuisinières ou plus peuvent être raccordées ensemble à la tubulure d'alimentation en enlevant le panneau de commande avant pour effectuer les raccordements nécessaires. S'assurer de couvrir les extrémités ouvertes. Pour raccorder :

1. Dans une grande batterie de huit cuisinières ou plus, l'alimentation en gaz devrait se faire des deux côtés de la batterie. Les raccordements de gaz en "T" peuvent être installés, si nécessaire, pour une alimentation en gaz accrue. Pour plus de détails, communiquer avec votre compagnie de gaz.
2. Aligner le bout avant des cuisinières et régler les pattes de façon à ce que les tubulures d'alimentation soient en ligne pour le raccordement. Utiliser des brides pour joindre les cuisinières ensemble.
3. Raccorder les raccords-unions entre la tubulure d'alimentation du gaz.
4. Utiliser la pince pour raccordement en batterie à l'arrière de la base de la cuisinière pour maintenir les appareils ensemble.
5. Avant de replacer les panneaux de la tubulure d'alimentation, vérifier tous les raccordements de gaz pour s'assurer qu'il n'y a aucune fuite. (Se reporter à la section BRANCHEMENT DU GAZ de ce manuel.)

Si l'appareil est muni d'un raccordement de gaz arrière, bien s'assurer que la conduite de gaz est ouverte.

Le régulateur de pression de gaz doit avoir une capacité de pression de sortie adéquate pour le raccordement en batterie.

## BRANCHEMENT DU GAZ

**ATTENTION :** Tous les raccords d'alimentation de la conduite de gaz et la pâte à joints de tuyaux doivent résister à l'action du gaz propane.

La conduite de gaz doit être composée d'un tuyau de la même dimension ou supérieur à celui de l'entrée de gaz qui se trouve à l'arrière de l'appareil (diamètre net à l'intérieur). Raccorder la conduite de gaz à la cuisinière. S'assurer que les tuyaux sont propres et qu'ils ne comportent aucun corps étranger ni saleté ou de pâte à joints.

Conformément aux exigences des codes, installer un robinet d'arrêt dans la conduite de gaz, en avant de l'appareil.

Un régulateur de pression de gaz externe doit être installé sur l'appareil. Il doit être certifié par une agence nationale d'essais reconnue. Ils doivent être préréglés à une pression de 1,25 kPa (6 po) de colonne d'eau pour le gaz naturel et de 2,49 kPa (10 po) de colonne d'eau pour le gaz propane.

**▲ AVERTISSEMENT :** Avant de procéder à l'allumage, faire circuler de l'eau savonneuse dans tous les joints de la conduite de gaz pour s'assurer qu'ils ne présentent aucune fuite. Ne pas se servir d'une flamme nue.

- A. Vérifier tous les joints conduisant à la soupape à gaz (vanne électromagnétique) avant de procéder à l'allumage de l'appareil.
- B. Vérifier tous les joints à partir de la soupape à gaz après l'allumage.

Après avoir enrayé toute possibilité de fuite, purger la conduite de gaz pour évacuer tout l'air qu'elle contient.

## ESSAIS DE LA CANALISATION DE GAZ

Si la pression de la canalisation de gaz est supérieure à 3,45 kPa (1/2 psig) lors d'essais de pression, débrancher la cuisinière et son robinet d'arrêt de la conduite de gaz.

Lorsque la pression d'essai est égale ou inférieure à 3,45 kPa (1/2 psig), isoler l'appareil de la canalisation de gaz en fermant son robinet d'arrêt manuel.

## CONDUIT D'ÉVACUATION

NE PAS obstruer le débit des gaz de combustion dans le conduit d'évacuation à l'arrière de l'appareil. Il est recommandé que les gaz de combustion soient ventilés à l'extérieur de l'immeuble par un système de ventilation installé par un personnel qualifié.

Maintenir un dégagement minimum de 457 mm (18 po) entre l'extrémité du conduit d'évacuation de l'appareil et les filtres de la hotte de ventilation.

Les informations sur la construction et l'installation des hottes de ventilation sont comprises dans la norme NFPA n° 96 (dernière édition) relative à l'installation de matériel pour l'évacuation de la fumée des appareils de cuisson dont on peut se procurer un exemplaire auprès de la National Fire Protection Association, Batterymarch Park, Quincy, MA 02269-7471.

## RACCORDEMENT ÉLECTRIQUE

**▲ AVERTISSEMENT :** Le raccordement électrique et la mise à la terre doivent être conformes aux normes concernées du code canadien de l'électricité ou tout autre code d'électricité en vigueur.

**▲ AVERTISSEMENT :** Les appareils munis d'un cordon d'alimentation flexible sont pourvus d'une fiche de mise à la terre à trois broches. La prise dans laquelle elle est branchée doit être correctement mise à la terre. Si elle ne l'est pas, communiquer avec un électricien. Ne pas enlever la broche de mise à la terre de la fiche.

Ne pas établir l'alimentation électrique tant que les raccordements de gaz ne sont pas terminés.

## ALLUMAGE ET ARRÊT DES VEILLEUSES

### Veilleuses de brûleur découvert, plaques à frire et à bouillir

1. Mettre le robinet de gaz principal à ON (marche).
2. Mettre le robinet de tous les brûleurs découverts à ON (marche) pour évacuer l'air de la conduite de gaz. (Le temps pour évacuer l'air peut varier.)
3. Mettre le robinet de tous les brûleurs découverts à OFF (arrêt).
4. Attendre 30 secondes.
5. Allumer la veilleuse des brûleurs à l'aide d'une bougie.
6. Si la veilleuse refuse de s'allumer, attendre 5 minutes et reprendre les étapes 1 à 5

Arrêt nocturne : Mettre le robinet du brûleur à OFF (arrêt); la veilleuse demeure allumée.

Arrêt complet : Mettre le robinet des brûleurs à OFF (arrêt); la veilleuse demeure allumée.

Mettre le robinet de gaz principal à OFF (arrêt).

### Four conventionnel – « S » (Fig. 2)

1. Mettre le thermostat et le robinet d'arrêt à OFF (arrêt).
2. Attendre 5 minutes.
3. Enlever le panneau inférieur pour localiser le coupe-circuit de la veilleuse.
4. À l'aide d'une bougie, allumer la veilleuse du four en appuyant sur le bouton rouge d'allumage sur le côté du panneau de commande sous le bouton du thermostat.
5. Maintenir le bouton rouge enfoncé pendant au moins 30 secondes.
6. Lorsqu'on relâche le bouton, la veilleuse devrait rester allumée.
7. Mettre la soupape d'arrêt à On (marche) et mettre le thermostat à la température désirée.
8. Replacer le panneau inférieur.
9. Si la flamme s'éteint ou refuse de s'allumer, reprendre les étapes 1 à 6.

Arrêt nocturne : Mettre le thermostat à OFF (arrêt); la veilleuse demeure allumée.

Arrêt complet : Mettre le thermostat et le robinet d'arrêt à OFF (arrêt). Mettre le robinet de gaz principal à OFF (arrêt).

### Four à air pulsé – Modèle « C » (Fig. 3)

1. Raccorder la cuisinière à l'alimentation électrique principale.
2. Mettre le thermostat et le robinet d'arrêt à OFF (arrêt).
3. Mettre l'interrupteur du ventilateur à OFF (arrêt).
4. Attendre 5 minutes.
5. Enlever le panneau inférieur pour localiser le coupe-circuit de la veilleuse.
6. À l'aide d'une bougie, allumer la veilleuse du four en appuyant sur le bouton rouge d'allumage sur le côté du panneau de commande au-dessus du robinet d'arrêt.
7. Maintenir le bouton rouge enfoncé pendant au moins 30 secondes.
8. Lorsqu'on relâche le bouton, la veilleuse devrait rester allumée.
9. Mettre la soupape d'arrêt à On (marche) et mettre le thermostat à la température désirée.
10. Replacer le panneau inférieur.
11. Si la flamme s'éteint ou refuse de s'allumer, reprendre les étapes 1 à 8.

Arrêt nocturne : Mettre le thermostat à OFF (arrêt); la veilleuse demeure allumée.

Arrêt complet : Mettre le thermostat, le robinet d'arrêt et l'interrupteur du ventilateur à OFF (arrêt). Mettre le robinet de gaz principal à OFF (arrêt).

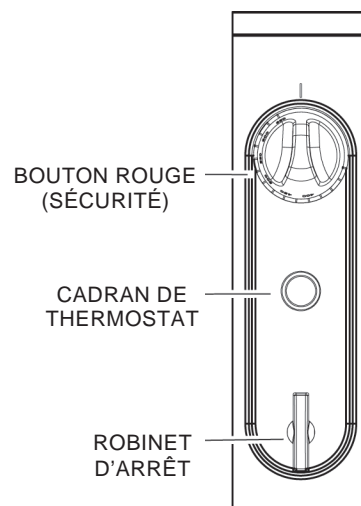


Fig. 2

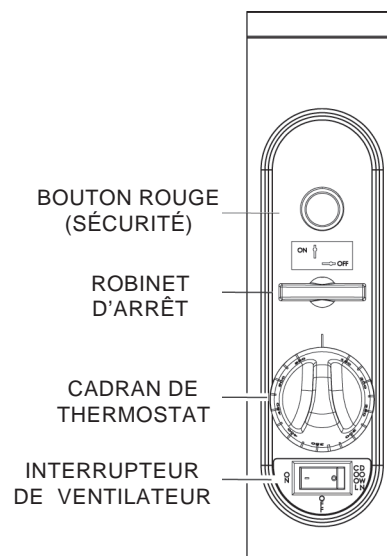


Fig. 3

# FONCTIONNEMENT

**▲ AVERTISSEMENT :** La cuisinière et ses composants sont chauds. Exercer une extrême prudence lors de son utilisation, nettoyage ou entretien.

## AVANT UNE PREMIÈRE UTILISATION

Plaques à frire : Avant d'utiliser votre plaque à frire, enlever complètement la couche de protection appliquée à l'usine à l'aide d'un produit de dégraissage commercial. Après un nettoyage en profondeur, appliquer une huile à frire sans sel, à haute température, et vous êtes maintenant prêt à utiliser votre plaque à frire.

La plaque à frire ne requiert aucune préparation ou apprêtage.

## SUGGESTIONS D'UTILISATION

Four conventionnel : Si vous possédez un four conventionnel, vous pouvez utiliser vos recettes normales de cuisson et de températures.

Four à air pulsé : Le four à air pulsé peut faire la même chose qu'un four régulier, mais en consommant moins d'énergie. Le four préchauffe les aliments plus rapidement et réduit le temps de cuisson, les réglages de température et le flétrissement.

Normalement, on réduit la température de 10 °C (25 °F) comparativement aux recettes conventionnelles.

Vérifier le produit lorsqu'il est rendu au milieu de son temps de cuisson.

Des tôles placées de niveau permettent une cuisson plus égale alors que des tôles gauchies donnent de mauvais résultats.

## NETTOYAGE

**▲ AVERTISSEMENT :** Couper l'alimentation en gaz de l'appareil.

**▲ AVERTISSEMENT :** Débrancher l'alimentation électrique et suivre les procédures de verrouillage et d'étiquetage.

### Brûleurs découverts

#### *Nettoyage quotidien*

Enlever les grilles et nettoyer en dessous et autour des brûleurs découverts.

1. Nettoyer la lèchefrite inférieure. Pour l'enlever, passer la main en dessous et soulever l'arrière d'environ 25 mm (1 po), la glisser ensuite d'environ 13 mm (1/2 po) vers l'arrière, et laisser tomber l'extrémité avant. La glisser vers l'avant entre les pattes avant. Pour la remettre en place, procéder selon l'ordre inverse.

#### *Nettoyage hebdomadaire*

1. Nettoyer chaque brûleur à fond. Nettoyer les surfaces en acier inoxydable et chromées à l'aide d'un chiffon humide et les polir ensuite à l'aide d'un chiffon doux et sec. On peut aussi utiliser un détergent. Pour enlever les taches de décoloration, utiliser un nettoyant non abrasif, toujours en frottant dans le sens du grain du métal.
2. Garder les ouvertures de l'obturateur d'air des brûleurs propres.
3. Nettoyer les orifices des brûleurs principaux à fond. Garder le venturi exempt de graisse et de charpie. Pour nettoyer les brûleurs, les laver au lave-vaisselle. Incliner l'obturateur d'air pour faire sécher à l'air. NE PAS insérer de cure-dents dans les orifices du brûleur.

### Plaque à frire

Vider la graisse à tous les jours. Nettoyer la plaque à frire régulièrement.

MAINTENIR LA SURFACE DE LA PLAQUE À FRIRE PROPRE. Pour obtenir une cuisson uniforme et des produits parfaitement dorés, ne jamais laisser de la graisse carbonisée sur une plaque. Elle nuit au transfert de la chaleur de la plaque à la surface des aliments, en ne les brunissant que partiellement et en réduisant la qualité de cuisson. Pire encore, la graisse carbonisée a tendance à adhérer aux aliments cuits sur la plaque, leur donnant une apparence peu appétissante.

Pour garder la plaque à frire propre, suivre les directives suivantes :

#### *Après chaque usage*

Nettoyer la plaque à frire à l'aide d'une brosse métallique ou d'une spatule flexible.

#### *Nettoyage quotidien*

1. Nettoyer à fond le dosseret, les côtés et le devant de la cuisinière. Enlever et vider le tiroir de propreté pour le laver de la même manière qu'un ustensile de cuisson ordinaire.
2. Nettoyer à fond la surface de la plaque. Au besoin, utiliser une pierre pour plaque à frire, une brosse métallique ou une laine d'acier inoxydable. La frotter dans le sens du grain de métal pendant qu'elle est encore chaude. Pour faciliter la tâche, utiliser du détergent. Toutefois, il est important qu'aucune trace du détergent ne demeure sur la surface.
3. Nettoyer les surfaces en acier inoxydable à l'aide d'un chiffon humide et les polir ensuite à l'aide d'un chiffon doux et sec. Enlever les taches de décoloration à l'aide d'un nettoyant non abrasif.

## **Revêtement extérieur**

### *Nettoyage quotidien*

Nettoyer le revêtement extérieur avec une solution d'eau savonneuse douce ou un produit pour dissoudre la graisse.

## **Surfaces de cuisson**

### *Nettoyage quotidien*

1. Essuyer la surface de cuisson pendant qu'elle est encore chaude à l'aide d'un chiffon doux.
2. Nettoyer la lèchefrite sous les brûleurs.

### *Nettoyage hebdomadaire*

Faire bouillir les plaques à frire et les brûleurs dans une solution d'eau et de soda.

## **Fours de cuisinière**

### *Nettoyage quotidien*

Nettoyer le four et la porte quotidiennement.

Ne pas utiliser de la poudre à récurer sur le revêtement. Elle s'enlève très difficilement et peut s'accumuler, ce qui risque d'endommager le four et d'enlever le revêtement anti-corrosif.

## **ACIER INOXYDABLE**

Suivre les indications qui suivent pour le nettoyage de l'acier inoxydable pour qu'il demeure propre, brillant et étincelant.

### **Nettoyage général**

Utiliser du savon ordinaire ou du détergent et de l'eau pour le nettoyage quotidien de l'acier inoxydable. Pour éviter la présence de taches d'eau et de rayures, rincer l'appareil à fond à l'eau chaude et l'essuyer à l'aide d'un chiffon sec, doux et propre. L'ajout d'agent de rinçage peut également s'avérer efficace.

### **Empreintes de doigts**

Les empreintes de doigts constituent parfois un problème sur les surfaces en acier inoxydable très polies. Il est possible de minimiser leur formation au moyen d'un nettoyant qui laissera un léger film d'huile et de cire.

Étendre ce type de nettoyant sur la surface et enlever l'excédent d'huile à l'aide d'un chiffon doux et sec. Par la suite, les empreintes de doigts disparaîtront en les essuyant légèrement à l'aide d'un chiffon doux ou d'un chiffon contenant une petite quantité du nettoyant. Si la surface est particulièrement sale au départ, la laver d'abord à l'eau savonneuse ou au détergent.

### **Graisse et aliments brûlés**

La graisse et les aliments brûlés s'enlèvent facilement à l'eau savonneuse.



## **Précautions**

Ne jamais utiliser une racle ordinaire pour enlever les dépôts tenaces de graisse ou d'huile sur une surface en acier inoxydable. Des particules ou de l'acier ordinaire risquent de s'incruster ou de se loger dans la surface en acier inoxydable, provoquant une légère formation de rouille et possiblement la contamination des aliments. S'il est absolument nécessaire de gratter, utiliser des outils pour acier inoxydable, en bois, en plastique ou en caoutchouc.

# ENTRETIEN

**▲ AVERTISSEMENT :** Couper l'alimentation en gaz de l'appareil

**▲ AVERTISSEMENT :** Couper l'alimentation électrique de l'appareil et suivre les procédures de verrouillage et d'étiquetage.

## LUBRIFICATION :

Toutes les pièces mobiles doivent être vérifiées et lubrifiées. Communiquer avec le service de l'entretien autorisé le plus près.

Toutes les soupapes et commandes doivent être lubrifiées par un technicien Vulcan autorisé en utilisant une graisse à température élevée.

Les moteurs des fours à air pulsé sont lubrifiés en permanence et ne requièrent aucun autre entretien.

## CONDUIT D'ÉVACUATION

Une fois par année, s'assurer que le conduit d'évacuation n'est pas obstrué.

## SERVICE DE L'ENTRETIEN ET PIÈCES DE RECHANGE

Pour l'entretien de l'appareil ou pour obtenir des renseignements sur des pièces de rechange, communiquer avec le service de l'entretien autorisé le plus près. Pour une liste complète de nos succursales de service de l'entretien et de pièces autorisées, visiter notre site Web ou téléphoner au 1 800 814-2028.

Lors d'une demande de service, fournir les renseignements suivants : le numéro de modèle, le numéro de série, la date de fabrication et l'alimentation électrique.

# DÉPANNAGE

## FOUR

PROBLÈME	CAUSES POSSIBLES
Fond du produit trop chauffé  Cuisson inégale  Côtés brûlés	Entrée de chaleur insuffisante (Communiquer avec le service de l'entretien). Conduit d'évacuation trop actif (Communiquer avec le service de l'entretien). Température trop basse. Mauvais fonctionnement. Conduit de dérivation mal réglé (Communiquer avec le service de l'entretien). Pression de gaz instable (Communiquer avec le service de l'entretien).
Dessus du produit trop chauffé	Température trop élevée. Ventilation défectueuse (Communiquer avec le service de l'entretien). Entrée de chaleur excessive (Communiquer avec le service de l'entretien). Thermostat mal étalonné (Communiquer avec le service de l'entretien).
Cuisson inégale d'un côté à l'autre	Cuisinière mal nivelée d'un côté à l'autre. Brûleur du four, sole et déflecteurs mal installés.
Le produit gravite vers un côté de la tôle	Tôles gauchies. Four mal nivelé.
Cuisson inégale d'avant en arrière	Conduit d'évacuation trop actif (Communiquer avec le service de l'entretien). Cuisinière mal nivelée d'avant en arrière. Porte ne fermant pas bien.
Produits déshydratés	Température trop basse. Cuisson trop longue. Thermostat mal étalonné (Communiquer avec le service de l'entretien).
Extinction de la veilleuse	Alimentation en gaz insuffisante (Communiquer avec le service de l'entretien). Flamme de la veilleuse trop faible (Communiquer avec le service de l'entretien). Injecteur de la veilleuse obstrué (Communiquer avec le service de l'entretien). Soupape de sûreté défectueuse (Communiquer avec le service de l'entretien). MODÈLES MUNIS D'UN FOUR À AIR PULSÉ SEULEMENT : Fuite dans l'enceinte de cuisson. (Communiquer avec le service de l'entretien). Joints d'étanchéité défectueux. (Communiquer avec le service de l'entretien). Tube du four à air pulsé obstrué. Ventilateur fonctionnant en sens inverse. (Communiquer avec le service de l'entretien).
Flétrissement excessif de la viande	Rôtissage à une température trop élevée

## BRÛLEURS DE LA SURFACE DE CUISSON

PROBLÈME	CAUSES POSSIBLES
Mauvaise combustion du brûleur Poignée de robinet excessivement chaude Robinetts de la surface de cuisson figés	Mauvaise ventilation (Communiquer avec le service de l'entretien). Porte mal réglée (Communiquer avec le service de l'entretien). Porte du four restée ouverte.
Mauvais allumage	Entrée de gaz insuffisante (Communiquer avec le service de l'entretien). Rapport air-gaz mal réglé (Communiquer avec le service de l'entretien). Injecteur de la veilleuse obstrué (Communiquer avec le service de l'entretien). Lumière d'allumage principale du brûleur obstruée (Communiquer avec le service de l'entretien). Robinet de commande obstrué (Communiquer avec le service de l'entretien). Injecteur de gaz obstrué (Communiquer avec le service de l'entretien).