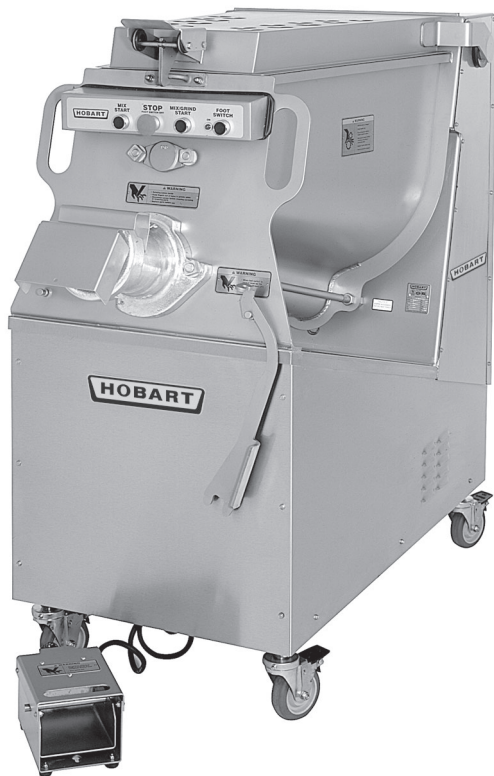




CATALOG OF REPLACEMENT PARTS



MODELS MG1532 & MG2032 MIXER-GRINDERS

STANDARD HOPPER (W/TOP FEED OPENING)

MG1532	ML-134099
MG2032	ML-134104
MG1532	ML-134103 5HP

OPTIONAL HOPPER (W/SIDE FEED OPENING)

MG1532	ML-134100
MG2032	ML-134105

PRIOR ML'S COVERED IN THIS MANUAL:

STANDARD HOPPER (W/TOP FEED OPENING)

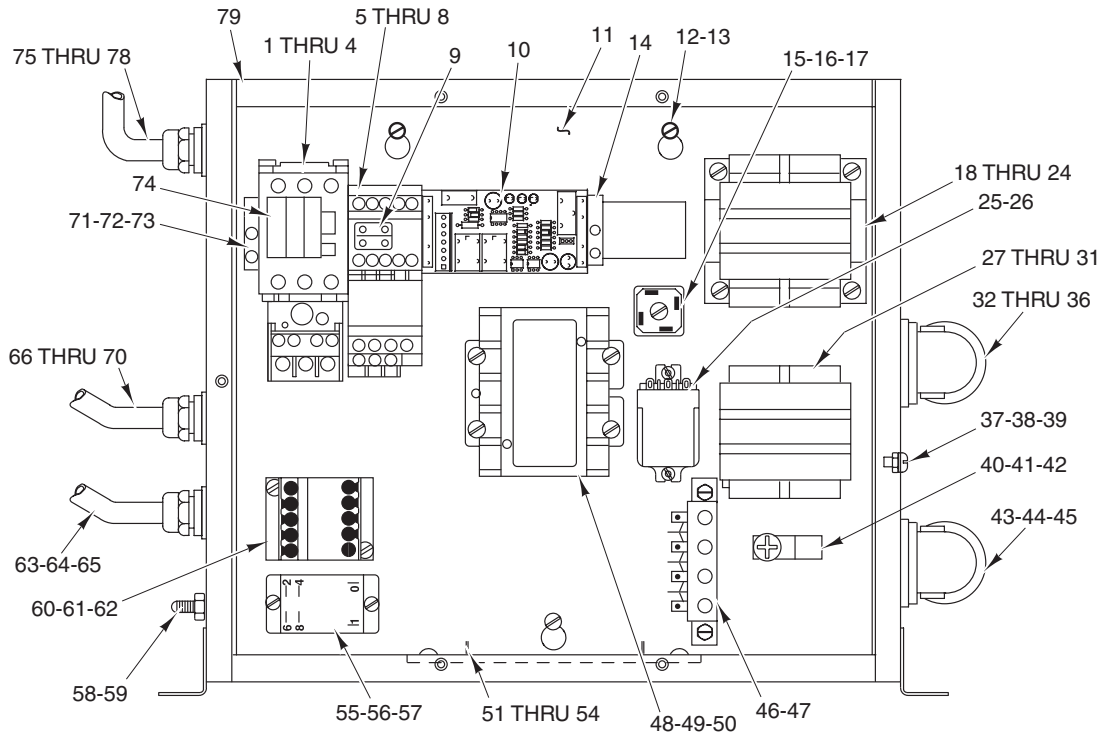
MG1532	ML-104878
MG2032	ML-104884
MG1532	ML-104883 5HP

OPTIONAL HOPPER (W/SIDE FEED OPENING)

MG1532	ML-104879
MG2032	ML-104885

MIXER-GRINDER (W/SPECIAL POWER CORD)

MG1532	ML-104882
--------	-----------



PL-56187

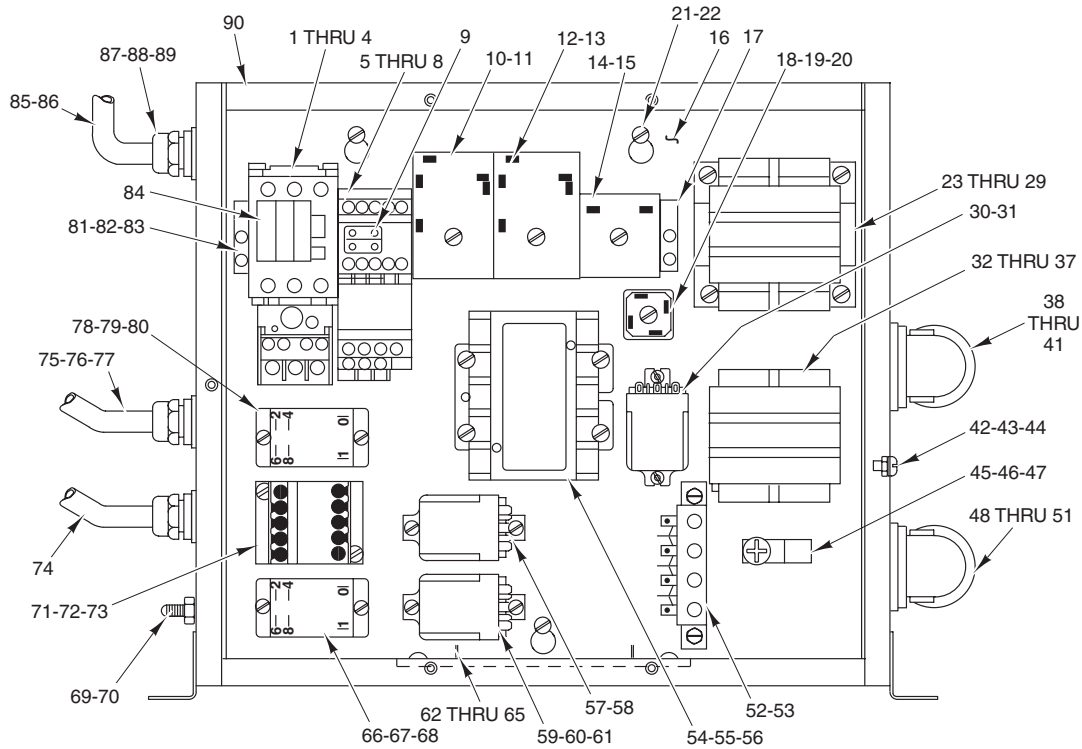
CONTROL BOX UNIT (CURRENT CONSTRUCTION)
STARTING WITH S/N 27-1112-484 (ML-134099), S/N 27-1112-986 (ML-134100),
S/N 27-1112-833 (ML-13403), & S/N 27-1112-072 (ML-134104)

ILLUS. PL-56187	PART NO.	NAME OF PART	AMT.
1	00-087713-094-2	Contactora (50 Amp., 3 Pole) (208 V.) (1 CON)	1
2	00-087713-094-3	Contactora (240/480 V.) (1 CON)	1
3	00-088196-024-1	Relay – Overload (208/240 V.) (1 OL)	1
4	00-088196-024-2	Relay – Overload (480 V.) (1 OL)	1
5	00-087713-089-3	Contactora (208 V.) (2 CON)	1
6	00-087713-089-2	Contactora (220-480 V.) (2 CON)	1
7	00-088196-017-1	Relay – Overload (208/240 V.) (2 OL)	1
8	00-088196-017-2	Relay – Overload (480 V.) (2 OL)	1
9	00-087711-00266	Switch – Auxillary	1
10	00-875029	Brake Module	1
11	00-479189-00001	Plate – Control Mounting (Weld)	1
12	SC-018-11	Mach. Screw 10-24 x 3/8 Slotted Pan Hd.	4
13	WL-007-12	Lockwasher #10	4
14	00-478218	Rail – Stop	2
15	00-873821	Bridge Rectifier	1
16	SC-021-25	Mach. Screw 10-24 x 3/4 Rd. Hd.	1
17	WL-007-12	Lockwasher #10 External Shakeproof	1
18	00-294500-039-1	Transformer 200 VA.	1
19	FE-026-15	Fuse (3 Amp.) (208/240 V.)	2
20	FE-025-50	Fuse (20 Amp.) (208/240 V.)	1
21	FE-025-57	Fuse (1 Amp.) (380/415/480 V.)	2
22	FE-025-59	Fuse (10 Amp.) (380/415/480 V.)	1
23	SC-018-11	Mach. Screw 10-24 x 3/8 Pan Hd.	4
24	WL-007-12	Lockwasher #10 External Shakeproof	4
25	00-087714-020-3	Relay – 3 PDT	1
26	SC-009-09	Mach. Screw 5/16-18 x 5/8 Slotted Rd. Hd.	2
27	00-294500-032-1	Transformer 50 Amp. (480 V.)	1
28	00-478962	Transformer (380-415 V.)	1
29	FE-025-20	Fuse (0.2 Amp.) (380/415/480 V.)	2
30	FE-025-58	Fuse (0.3 Amp.) (380/415/480 V.)	1

**CONTROL BOX UNIT (Cont.)
(CURRENT CONSTRUCTION)**

ILLUS. PL-56187	PART NO.	NAME OF PART	AMT.
31	SD-009-09	Self-Tapping Screw 8-32 x 1/2 Bndg. Hd., Type F	4
32	00-294853-00019	Cable – Motor Control Grind (MG1532)	1
33	00-294853-00027	Cable – Motor Control Grind (MG2032)	1
34	FE-023-41	Strain Relief	1
35	FE-006-50	Lock Nut	1
36	FE-008-12	Gasket	1
37	SC-008-17	Mach. Screw 10-32 x 3/8 Rd. Hd.	1
38	WL-007-12	Lockwasher #10 External Shakeproof	1
39	NS-009-30	Mach. Nut 10-32 Hex	1
40	00-118544-00002	Lug – Grounding	1
41	SC-114-29	Mach. Screw 1/4-20 x 3/8 Phil. Pan Hd.	1
42	WL-007-14	Lockwasher 1/4 Medium	1
43	FE-023-42	Strain Relief	1
44	FE-006-50	Lock Nut	1
45	FE-008-12	Gasket	1
46	00-294325-00021	Block – Terminal (4 Pole)	1
47	SD-038-03	Self-Tapping Screw 10-16 x 3/4 Slotted Truss Hd., Type B	2
48	00-087713-099-1	Contactor (3 CON)	1
49	SC-018-11	Mach. Screw 10-24 x 3/8 Pan Hd.	2
50	WL-007-12	Lockwasher #10 External Shakeproof	2
51	00-478220-00001	Heater (208 V.)	1
52	00-478220-00002	Heater (240/480 V.)	1
53	SC-018-11	Mach. Screw 10-24 x 3/8 Rd. Hd.	2
54	WL-007-12	Lockwasher #10 External Shakeproof	2
55	00-087714-046-2	Relay – 2 Pole (30 Amp.) (208 V.) (1 CR)	1
56	00-087714-046-3	Relay – 2 Pole (30 Amp.) (220/480 V.) (1 CR)	1
57	SD-009-09	Self-Tapping Screw 8-32 x 1/2 Bndg. Hd., Type F	2
58	00-087711-213-1	Switch – Air Actuated	1
59	00-294855-00001	Cap – Skid Retaining	1
60	00-087713-089-3	Contactor (208 V.) (2 CR)	1
61	00-087713-089-2	Contactor (220-480 V.) (2 CR)	1
62	SD-009-09	Self-Tapping Screw 8-32 x 1/2 Bndg. Hd., Type F	2
63	00-294853-00037	Cable – Control Switch	1
64	FE-025-93	Strain Relief	1
65	FE-024-88	Lock Nut – Electrical 1/2	1
66	00-294853-00042	Cable – Mix Motor Control (MG2032)	1
67	00-294853-00041	Cable – Mix Motor Control (MG1532)	1
68	00-294853-00036	Cable – Mix Motor Control (MG1532) (1 Ph.)	1
69	FE-022-84	Strain Relief	1
70	FE-024-88	Lock Nut – Electrical 1/2	1
71	00-477300-00002	Rail – Din	1
72	SC-018-11	Mach. Screw 10-24 x 3/8 Pan Hd.	2
73	WL-007-12	Lockwasher #10 External Shakeproof	2
74	00-087711-268-1	Switch – Auxiliary	3
75	00-294853-00038	Cable – Interlock Switch (MG1532)	1
76	00-294853-00040	Cable – Interlock Switch (MG2032)	1
77	FE-022-84	Strain Relief	1
78	FE-024-88	Lock Nut – Electrical 1/2	1
79	00-478742-00001	Box – Lower Control	1
	00-477954	Cover Assy. – Control Box	1
	SD-036-39	Self-Tapping Screw 10-24 x 3/8 Truss Hd, Type TT	6
	00-437747	Protector – Serial	1
	00-478551-00002	Cord & Plug Assy. 204 V. (3 Ph.)	1
	00-117612-00016	Cord & Plug Assy. 480 V. (3 Ph.)	1
	00-478551-00001	Cord & Plug Assy. 208 V. (3 Ph.)	1
	00-294899-00001	Cord & Plug Assy. (1 Ph.)	1

MODELS MG1532 & MG2032 MIXER-GRINDERS REPLACEMENT PARTS



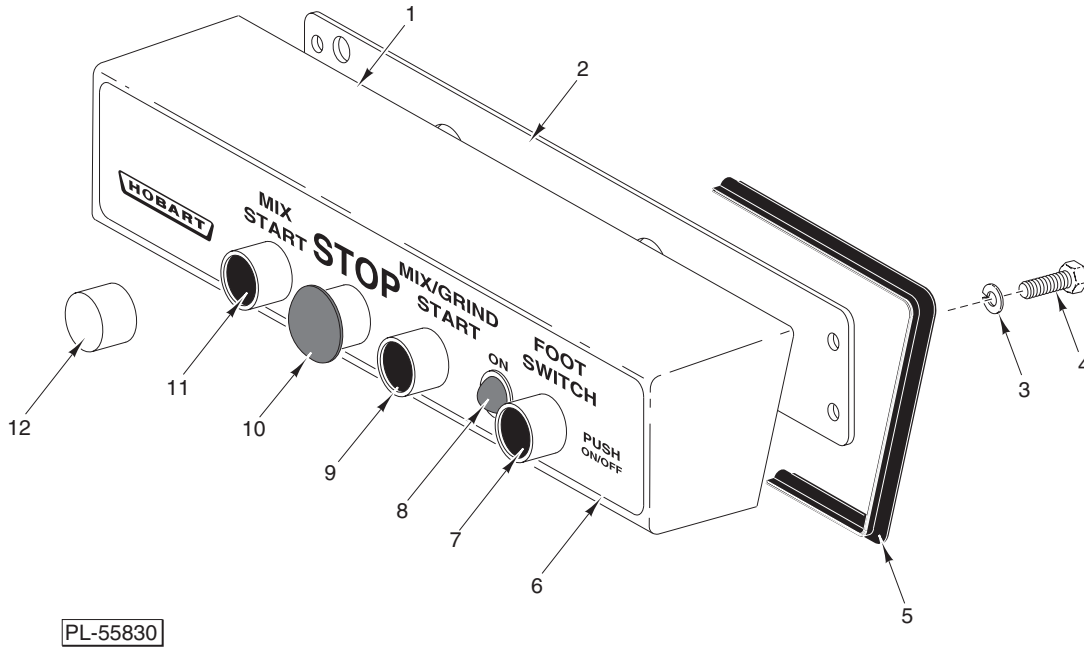
PL-56363

CONTROL BOX UNIT (PREVIOUS CONSTRUCTION)
USED ON (ML-104787, ML-104884, ML-104879, ML-104885, ML-104882, & ML-104883)
AND MACHINES BUILT PRIOR TO S/N 27-1112-484 (ML-134099), S/N-27-1112-986 (ML-134100),
S/N 27-1112-833 (ML-13403), & S/N 27-1112-072 (ML-134104)

ILLUS.	PART NO.	NAME OF PART	AMT.
PL-56363			
1	00-087713-094-2	Contactors (50 Amp., 3 Pole) (208 V.) (1 CON)	1
2	00-087713-094-3	Contactors (240/480 V.) (1 CON)	1
3	00-088196-024-1	Relay - Overload (208/240 V.) (1 OL)	1
4	00-088196-024-2	Relay - Overload (480 V.) (1 OL)	1
5	00-087713-089-3	Contactors (208 V.) (2 CON)	1
6	00-087713-089-2	Contactors (220-480 V.) (2 CON)	1
7	00-088196-017-1	Relay - Overload (208/240 V.) (2 OL)	1
8	00-088196-017-2	Relay - Overload (480 V.) (2 OL)	1
9	00-087711-00266	Switch - Auxillary	1
10	00-087714-048-1	Relay - Time Delay (Bake TDR)	1
11	00-478219	Bracket - Din Mounting	1
12	00-087714-048-2	Relay - Time Delay (Pause TDR)	1
13	00-478219	Bracket - Din Mounting	1
14	00-087714-049-1	Timer - Solid State (On TDR)	1
15	00-478219	Bracket - Din Mounting	1
16	00-479189-00001	Plate - Control Mounting (Weld)	1
17	00-478218	Rail - Stop	2
18	00-873821	Bridge Rectifier	1
19	SC-021-25	Mach. Screw 10-24 x 3/4 Rd. Hd.	1
20	WL-007-12	Lockwasher #10 External Shakeproof	1
21	SC-008-11	Mach. Screw 10-24 x 3/8 Rd. Hd.	4
22	WL-007-12	Lockwasher #10 External Shakeproof	4
23	00-294500-039-1	Transformer 200 VA.	1
24	FE-026-15	Fuse (3 Amp.) (208/240 V.)	2
25	FE-025-50	Fuse (20 Amp.) (208/240 V.)	1
26	FE-025-57	Fuse (1 Amp.) (380/415/480 V.)	2
27	FE-025-59	Fuse (10 Amp.) (380/415/480 V.)	1
28	SC-018-11	Mach. Screw 10-24 x 3/8 Pan Hd.	4

**CONTROL BOX UNIT (Cont.)
(PREVIOUS CONSTRUCTION)**

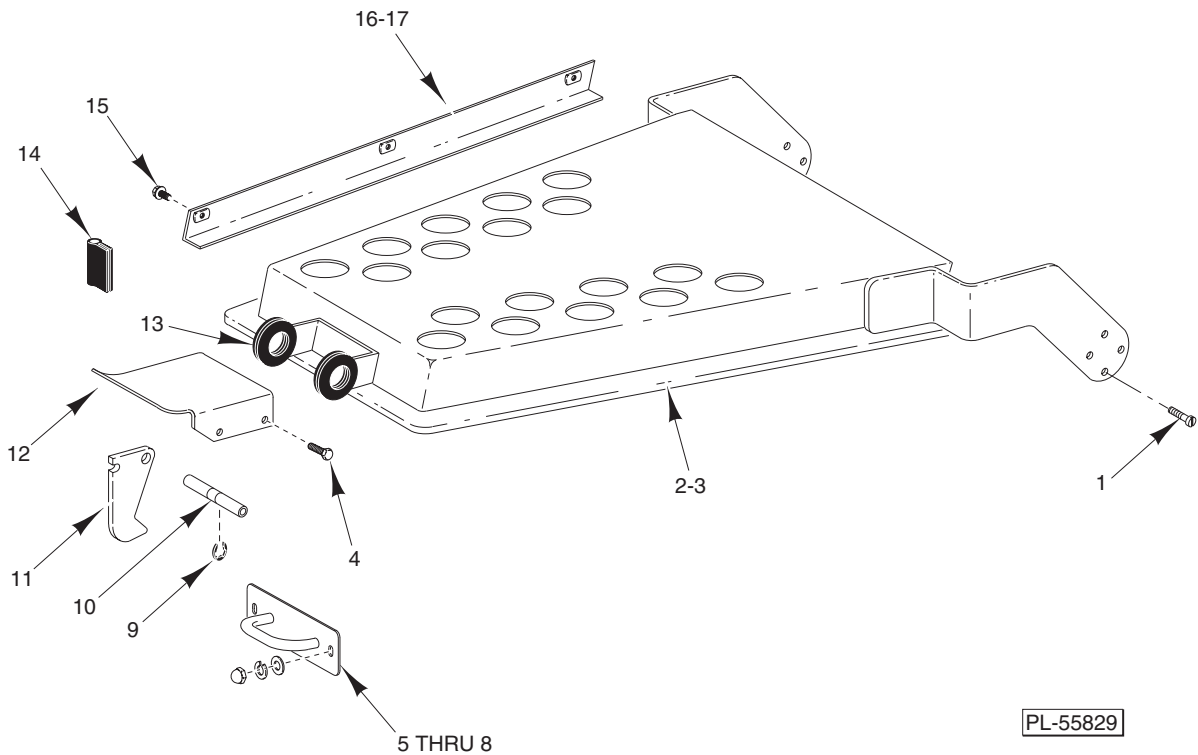
ILLUS. PL-56363	PART NO.	NAME OF PART	AMT.
29	WL-007-12	Lockwasher #10 External Shakeproof	4
30	00-087714-020-3	Relay – 3 PDT	1
31	SC-009-09	Mach. Screw $\frac{3}{16}$ -18 x $\frac{3}{8}$ Slotted Rd. Hd.	2
32	00-294500-032-1	Transformer 50 Amp. (480 V.)	1
33	00-478962	Transformer 50 Amp. (380/415 V.)	1
34	FE-025-20	Fuse (0.2 Amp.) (600 V.)	2
35	FE-025-58	Fuse (0.3 Amp.) (600 V.)	1
36	SD-009-09	Self-Tapping Screw 8-32 x $\frac{1}{2}$ Bndg. Hd., Type F	4
37	00-294853-00019	Cable – Motor Control (MG1532)	1
38	00-294853-00027	Cable – Motor Control (MG2032)	1
39	FE-023-41	Strain Relief	1
40	FE-006-50	Lock Nut	1
41	FE-008-12	Gasket	1
42	SC-008-17	Mach. Screw 10-32 x $\frac{3}{8}$ Rd. Hd.	1
43	WL-007-12	Lockwasher #10 External Shakeproof	1
44	NS-009-30	Mach. Nut 10-32 Hex	1
45	00-118544-00002	Lug – Grounding	1
46	SC-114-29	Mach. Screw $\frac{1}{4}$ -20 x $\frac{3}{8}$ Phil. Pan Hd.	1
47	WL-007-14	Lockwasher $\frac{1}{4}$ Medium	1
48	FE-023-42	Strain Relief (Below 250 V.) (Except Single Ph.)	1
49	FE-023-41	Strain Relief (Above 250 V.) (or Single Ph.)	1
50	FE-006-50	Lock Nut	1
51	FE-008-12	Gasket	1
52	00-294325-00021	Block – Terminal (4 Pole)	1
53	SD-038-03	Self-Tapping Screw #10-16 x $\frac{3}{4}$ Slotted Truss Hd., Type B	2
54	00-087713-099-1	Contacto (3 CON)	1
55	SC-018-11	Mach. Screw 10-24 x $\frac{3}{8}$ Pan Hd.	2
56	WL-007-12	Lockwasher #10 External Shakeproof	2
57	00-087714-020-3	Relay – 3 PDT (3 CR)	1
58	SD-009-09	Self-Tapping Screw 8-32 x $\frac{1}{2}$ Bndg. Hd., Type F	2
59	00-087714-050-1	Relay SPST – NO (208/240 V.) (Current Sense Relay)	1
60	00-087714-050-2	Relay SPST – NO (480 V.) (Current Sense Relay)	1
61	SD-009-09	Self-Tapping Screw 8-32 x $\frac{1}{2}$ Bndg. Hd., Type F	2
62	00-478220-00001	Heater (208 V.)	1
63	00-478220-00002	Heater (240/480 V.)	1
64	SC-008-09	Mach. Screw 10-24 x $\frac{3}{8}$ Rd. Hd.	2
65	WL-007-12	Lockwasher #10 External Shakeproof	2
66	00-087714-046-2	Relay – 2 Pole (30 Amp.) (208 V.) (1 CR)	1
67	00-087714-046-3	Relay – 2 Pole (30 Amp.) (208/480 V.) (1 CR)	1
68	SD-009-09	Self-Tapping Screw 8-32 x $\frac{1}{2}$ Bndg. Hd., Type F	2
69	00-087711-213-1	Switch – Air Actuated	1
70	00-294855-00001	Cap – Skid Retaining	1
71	00-087713-089-3	Contacto (208 V.) (2 CR)	1
72	00-087713-089-2	Contacto (220-480 V.) (2 CR)	1
73	SD-009-09	Self-Tapping Screw 8-32 x $\frac{1}{2}$ Bndg. Hd., Type F	2
74	00-294853-00037	Cable – Control Switch	1
75	00-294853-00042	Cable – Mix Motor Control (MG2032)	1
76	00-294853-00041	Cable – Mix Motor Control (MG1532)	1
77	00-294853-00036	Cable – Mix Motor Control (MG1532) (1 Ph.)	1
78	00-087714-042-2	Relay (2 Pole) (208 V.) (Brake Ready Relay)	1
79	00-087714-042-3	Relay (2 Pole) (220-240 V.) (Brake Ready Relay)	1
80	SD-009-09	Self-Tapping Screw 8-32 x $\frac{1}{2}$ Bndg. Hd., Type F	2
81	00-477300-00002	Rail – Din	1
82	SC-018-11	Mach. Screw 10-24 x $\frac{3}{8}$ Pan Hd.	2
83	WL-007-12	Lockwasher #10 External Shakeproof	2
84	00-087711-268-1	Switch – Auxiliary	3
85	00-294853-00038	Cable – Interlock	1
86	00-294853-00040	Cable – Interlock Switch	1
87	FE-006-49	Strain Relief (T&B 2522)	3
88	FE-006-05	Lock Nut $\frac{1}{2}$	3
89	FE-008-10	$\frac{1}{2}$ Gasket Assy.	3
90	00-478742-00001	Box – Lower Control	1
	00-477954	Cover Assy. – Control Box	1
	SD-036-39	Self-Tapping Screw 10-24 x $\frac{3}{8}$ Truss Hd, Type TT	6



PL-55830

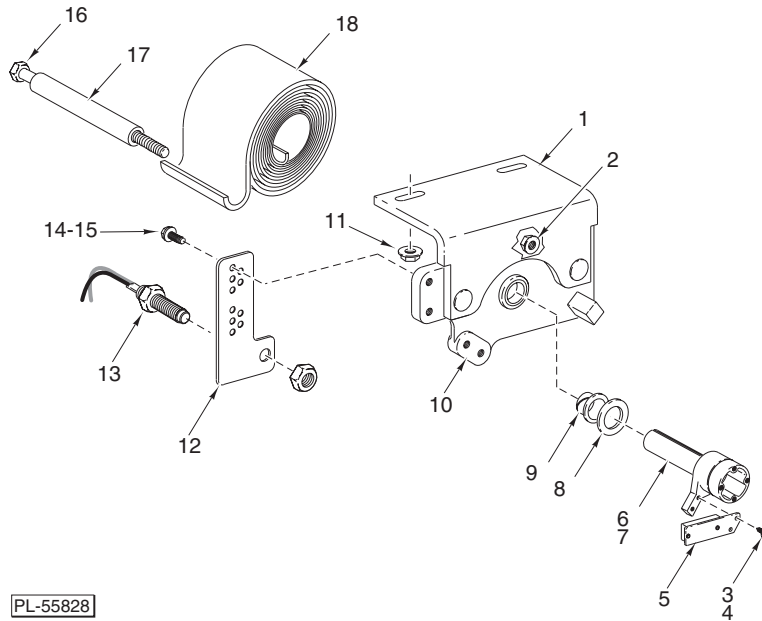
OPERATOR CONTROL PANEL

ILLUS.	PART NO.	NAME OF PART	AMT.
PL-55830			
1	00-479734	Box – Operator Control (Incls. Item 2)	1
2	00-479630	Gasket	1
3	WL-006-17	Lockwasher 1/4 Medium	4
4	SC-041-01	Cap Screw 3/4-20 x 3/4 Hex Hd.	4
5	00-102825-00005	Gasket – Housing	1
6	00-477930	Panel – Trim	1
7	00-087711-255-6	Switch Assy. (Foot)	1
8	00-477653-00002	Light – Pilot	1
9	00-087711-255-6	Switch – Mix/Grind Start	1
10	00-087711-255-7	Switch – Stop	1
11	00-087711-255-6	Switch – Mix Start	1
12	00-873427	Switch – Protective Cap	3
	00-439785	Cable	1



TOP COVER UNIT

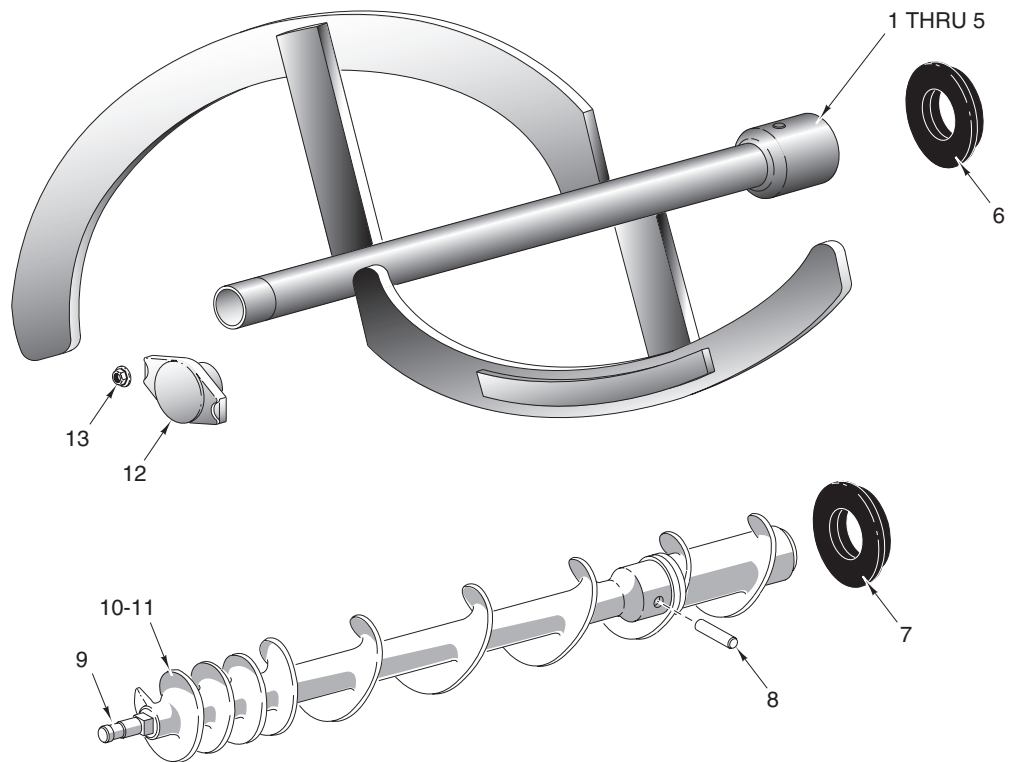
ILLUS.	PART NO.	NAME OF PART	AMT.
PL-55829			
1	SC-053-17	Mach. Screw $\frac{5}{16}$ -18 x $\frac{3}{4}$ Truss Hd. (SST)	8
2	00-478530	Cover (MG1532)	1
3	00-478670	Cover (MG2032)	1
4	SC-041-50	Cap Screw $\frac{1}{4}$ -20 x $\frac{1}{2}$ Hex Hd.	4
5	00-439822	Plate – Hasp	1
6	WS-017-06	Washer	2
7	WL-006-17	Lockwasher $\frac{1}{4}$ Medium	2
8	NS-025-04	Acorn Nut $\frac{1}{4}$ -20	2
9	RR-009-10	Retaining Ring	4
10	00-477928	Rod – Lid Latch	2
11	00-477927	Latch – Lid	1
12	00-477929	Handle – Lid Latch	1
13	00-477956	Grommet	2
14	00-102825-00005	Gasket – Housing	2
15	SD-038-33	Self-Tapping Screw 10-24 x $\frac{1}{2}$ Hex Washer Hd., Type TT	3
16	00-439816-00002	Wireway – Weldment (MG1532)	1
17	00-439816-00003	Wireway – Weldment (MG2032)	1



PL-55828

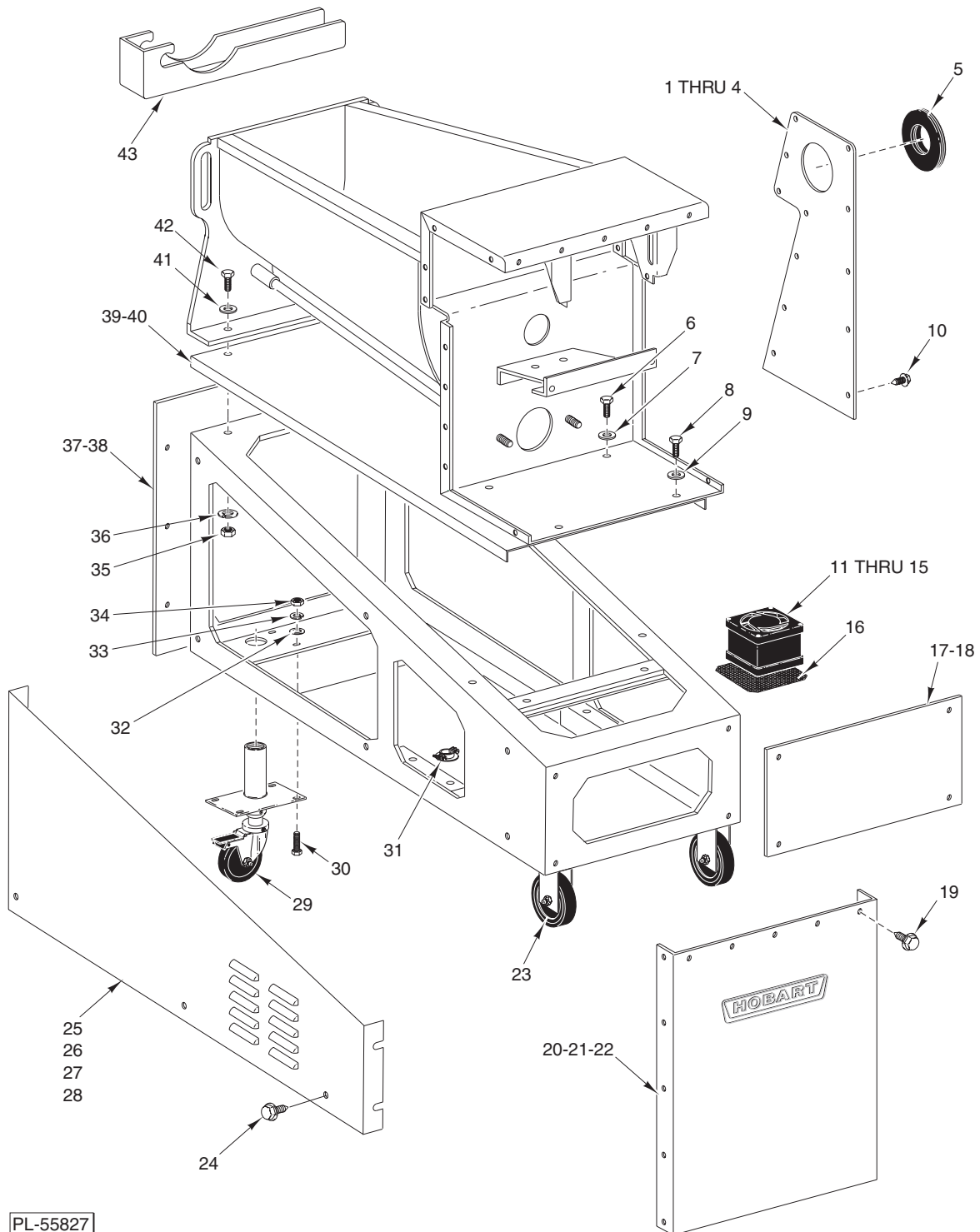
HINGE UNIT

ILLUS.	PART NO.	NAME OF PART	AMT.
PL-55828			
1	00-478519	Bracket – Weldment	2
2	NS-038-11	Nut ⁵ / ₁₆ -18 Hex Special (Use to Mount Item 1 to Item 10)	2
3	SC-113-96	Mach. Screw 8-32 x ¹ / ₂ Hex Washer Hd.	2
4	WL-014-05	Lockwasher #8 External Shakeproof	2
5	00-478523	Magnet Assy.	1
6	00-478522-00002	Shaft – Hinge (LH)	1
7	00-478522-00003	Shaft – Hinge (RH)	1
8	WS-030-80	Washer	2
9	00-439845	Bearing – Sleeve	1
10	00-478518-00002	Block – Bearing	1
11	NS-038-11	Nut ⁵ / ₁₆ -18 Hex Special	2
12	00-478520	Bracket – Switch	1
13	00-087711-307-1	Switch – Reed	1
14	SC-113-96	Mach. Screw 8-32 x ¹ / ₂ Hex Washer Hd.	2
15	WL-014-05	Lockwasher #8 External Shakeproof	2
16	SC-041-36	Cap Screw ³ / ₈ x 2 ¹ / ₂ Hex Hd.	1
17	00-439774	Spacer – Hinge Spring	1
18	00-439838	Spring – Spiral Torsion	1



CONVEYOR AND MIXING ARM UNIT

ILLUS.	PART NO.	NAME OF PART	AMT.
PL-56033			
1	00-478692	Mix Arm Assy. (MG2032) (Incls. Items 3, 4, & 5)	1
2	00-477938	Mix Arm Assy. (MG1532) (Incls. Items 3, 4, & 5)	1
3	00-477936	Coupling	1
4	00-186706	Plug	1
5	00-477960	Pin – Shear	1
6	00-479070	Seal (Mix Arm)	1
7	00-479070	Seal (Conveyor Assy.)	1
8	00-477960	Pin – Shear	1
9	00-110576	Stud – Plate	1
10	00-477988	Conveyor Assy. (Cast) (MG2032)	1
11	00-439809	Conveyor Assy. (Cast) (MG1532)	1
12	00-439763	Retainer Assy.	1
13	NS-048-57	Nut	2

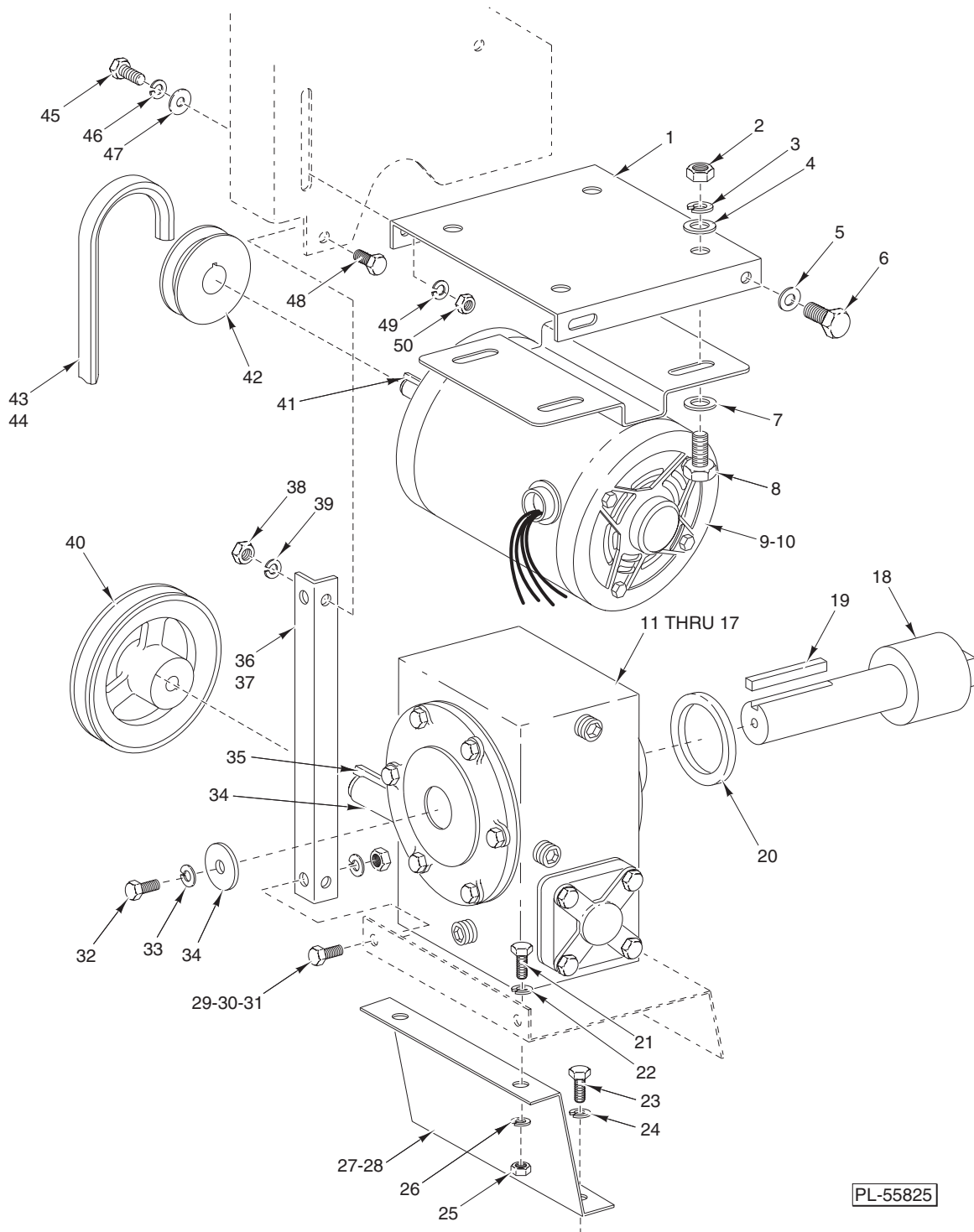


PL-55827

FRAME AND HOPPER UNIT

FRAME AND HOPPER UNIT

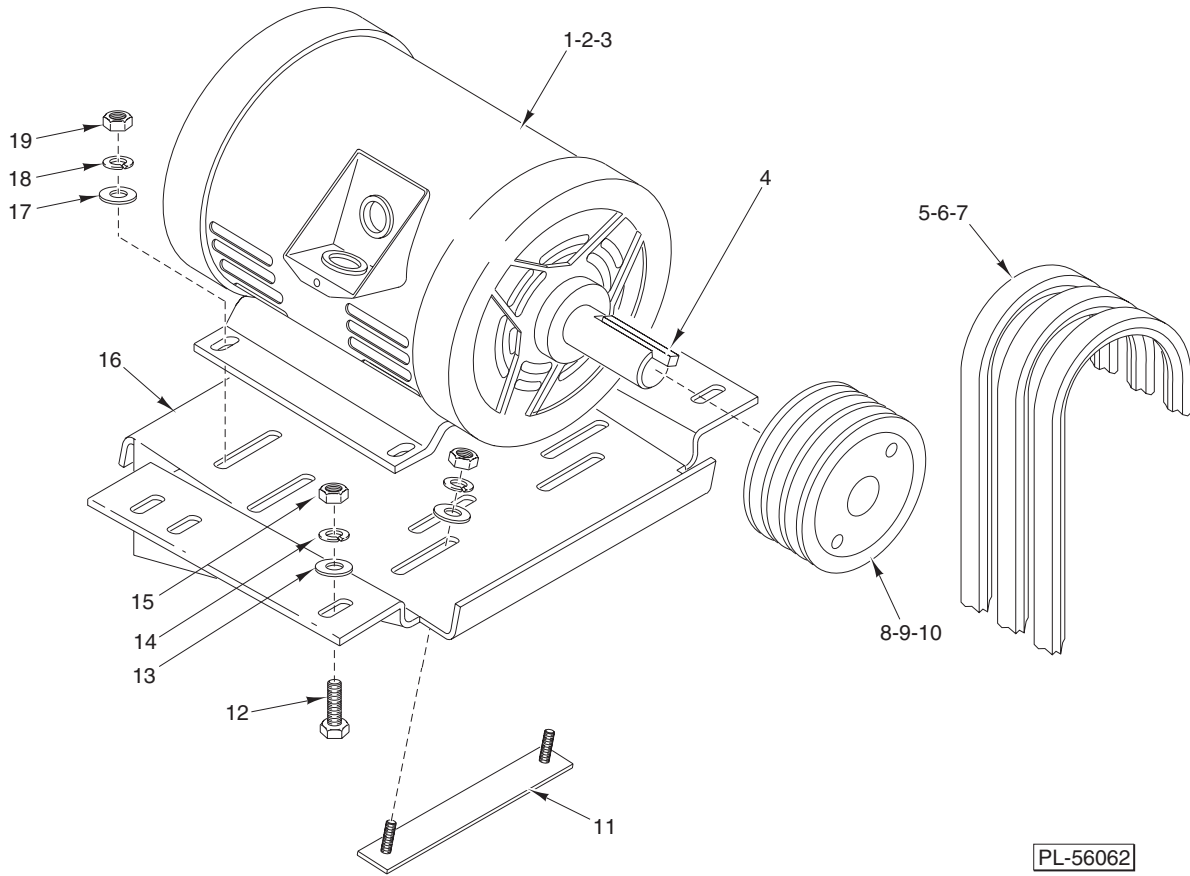
ILLUS.	PART NO.	NAME OF PART	AMT.
PL-55827			
1	00-478728-00001	Panel – Upper Side (LH) (MG2032)	1
2	00-478728-00002	Panel – Upper Side (RH) (MG2032)	1
3	00-439826-00001	Panel – Upper Side (LH) (MG1532)	1
4	00-439826-00002	Panel – Upper Side (RH) (MG1532)	1
5	00-439835	Seal	2
6	SC-041-31	Cap Screw 3/8-16 x 1 1/4 Hex Hd.	2
7	WS-018-04	Washer	2
8	SC-041-31	Cap Screw 3/8-16 x 1 1/4 Hex Hd.	2
9	WS-018-04	Washer	2
10	SD-038-33	Self-Tapping Screw 10-24 x 1/2 Hex Washer Hd., Type TT	12
11	00-478738-00001	Fan – Cooling (230 V.)	1
12	00-294853-026-1	Cable – Fan (240 V.)	1
13	00-294853-026-2	Cable – Fan (480 V.)	1
14	SC-119-30	Mach. Screw 6-32 x 3/4 Hex Hd. (SST)	4
15	NS-031-50	Stop Nut 6-32 Hex (SST)	4
16	00-478737	Panel – Perforated	1
17	00-439828-00003	Panel – Back (MG2032)	1
18	00-439828-00002	Panel – Back (MG1532)	1
19	SD-038-33	Self-Tapping Screw 10-24 x 1/2 Hex Washer Hd., Type TT	5
20	00-439824-00003	Panel – Upper Back (MG2032)	1
21	00-439824-00002	Panel – Upper Back (MG1532)	1
22	00-527014	Gasket – Rear Panel	1
23	00-439787	Caster – Fixed	2
24	SD-038-33	Self-Tapping Screw 10-24 x 1/2 Hex Washer Hd., Type TT	6
25	00-478718-00001	Panel – Lower Side (LH) (MG2032)	1
26	00-478718-00002	Panel – Lower Side (RH) (MG2032)	1
27	00-439829-00001	Panel – Lower Side (LH) (MG1532)	1
28	00-439829-00002	Panel – Lower Side (RH) (MG1532)	1
29	00-477924	Caster – 4 In. Wheel	2
30	SC-037-85	Cap Screw 5/16-18 x 1 Hex Hd.	16
31	FE-023-47	Connector – Cable	1
32	WS-005-32	Washer	32
33	WL-003-47	Lockwasher 5/16 Medium	16
34	NS-013-14	Nut 5/16-18 Hex	16
35	NS-015-13	Nut 3/8-16 Hex (SST)	3
36	WL-006-28	Lockwasher 3/8 Medium	3
37	00-478719	Panel – Front (MG2032)	1
38	00-439827	Panel – Front (MG1532)	1
39	00-478706	Tablecloth (MG2032)	1
40	00-478705	Tablecloth (MG1532)	1
41	WS-018-04	Washer	3
42	SC-041-31	Cap Screw 3/8-16 x 1 1/4 Hex Hd.	3
43	ML-109640-0000Z	Drain Pan	1



MIX MOTOR UNIT

MIX MOTOR UNIT

ILLUS. PL-55825	PART NO.	NAME OF PART	AMT.
1	00-873266	Bracket – Nut (Mix Motor)	1
2	NS-013-14	Nut $\frac{5}{16}$ -18 Hex	4
3	WL-006-23	Lockwasher $\frac{5}{16}$ Medium (SST)	4
4	WS-005-39	Washer	4
5	WL-006-28	Lockwasher $\frac{3}{8}$ Medium	2
6	SC-062-43	Cap Screw $\frac{3}{8}$ -16 x $\frac{3}{4}$ Hex Hd.	2
7	WS-005-39	Washer	4
8	SC-037-85	Cap Screw $\frac{5}{16}$ -18 x 1 Hex Hd.	4
9	00-435805-00002	Motor Assy. (208-240/480 V., 60 Hz., 3 Ph., 1 Hp.)	1
10	00-435806-00002	Motor Assy. (208-240/60/1)	1
11	00-186696	Gear Reducer	1
12	SC-062-43	Cap Screw $\frac{3}{8}$ -16 x $\frac{3}{4}$ Hex Hd. (Used to mount Item 10)	4
13	WL-006-28	Lockwasher $\frac{3}{8}$ Medium (Used to mount Item 10)	4
14	00-186646-00001	Shim (0.120 Thk.)	AR
15	00-186646-00002	Shim (0.060 Thk.)	AR
16	00-186646-00003	Shim (0.030 Thk.)	AR
17	00-186646-00004	Shim (0.018 Thk.)	AR
18	00-439743	Shaft – Mix Arm (Sq. Drive)	1
19	00-012430-00196	Key $\frac{1}{4}$ x $\frac{1}{4}$ x $4\frac{3}{4}$	1
20	WS-014-37	Washer	AR
21	SC-041-10	Cap Screw $\frac{5}{16}$ -18 x $\frac{5}{8}$ Hex Hd.	2
22	WL-006-23	Lockwasher $\frac{5}{16}$ Medium (SST)	2
23	SC-062-43	Cap Screw $\frac{3}{8}$ -16 x $\frac{3}{4}$ Hex Hd.	2
24	WL-006-28	Lockwasher $\frac{3}{8}$ Medium	2
25	NS-013-14	Nut $\frac{5}{16}$ -18 Hex	2
26	WL-006-23	Lockwasher $\frac{5}{16}$ Medium (SST)	2
27	00-479236	Brace – Mix/Grind (MG1532)	1
28	00-479237	Brace – Mix/Grind (MG2032)	1
29	SC-041-10	Cap Screw $\frac{5}{16}$ -18 x $\frac{5}{8}$ Hex Hd.	2
30	WL-006-23	Lockwasher $\frac{5}{16}$ Medium (SST)	2
31	NS-013-14	Nut $\frac{5}{16}$ -18 Hex	2
32	SC-062-22	Cap Screw $\frac{3}{8}$ -16 x $1\frac{1}{4}$ Hex Hd.	1
33	WL-006-28	Lockwasher $\frac{3}{8}$ Medium	1
34	00-186703	Washer	1
35	00-012430-00067	Key $\frac{3}{16}$ x $1\frac{1}{2}$	1
36	00-439757-00001	Brace – Mix Drive (MG2032)	2
37	00-439757-00002	Brace – Mix Drive (MG1532)	2
38	NS-013-14	Nut $\frac{5}{16}$ -18 Hex	2
39	WL-006-23	Lockwasher $\frac{5}{16}$ Medium (SST)	2
40	00-479801	Pulley – Mix Arm Transmission	1
41	00-012430-00091	Key $\frac{3}{16}$ x $\frac{3}{16}$ x $1\frac{3}{8}$	1
42	00-479800	Pulley – Driver (16T) (60 Hz.)	1
43	BV-013-32	V-Belt (MG1532)	1
44	BV-013-39	V-Belt (MG2032)	1
45	SC-062-43	Cap Screw $\frac{3}{8}$ -16 x $\frac{3}{4}$ Hex Hd.	2
46	WL-006-23	Lockwasher $\frac{5}{16}$ Medium (SST)	2
47	WS-018-04	Washer	2
48	SC-041-10	Cap Screw $\frac{5}{16}$ -18 x $\frac{5}{8}$ Hex Hd.	2
49	WL-006-23	Lockwasher $\frac{5}{16}$ Medium (SST)	4
50	NS-013-14	Nut $\frac{5}{16}$ -18 Hex	4

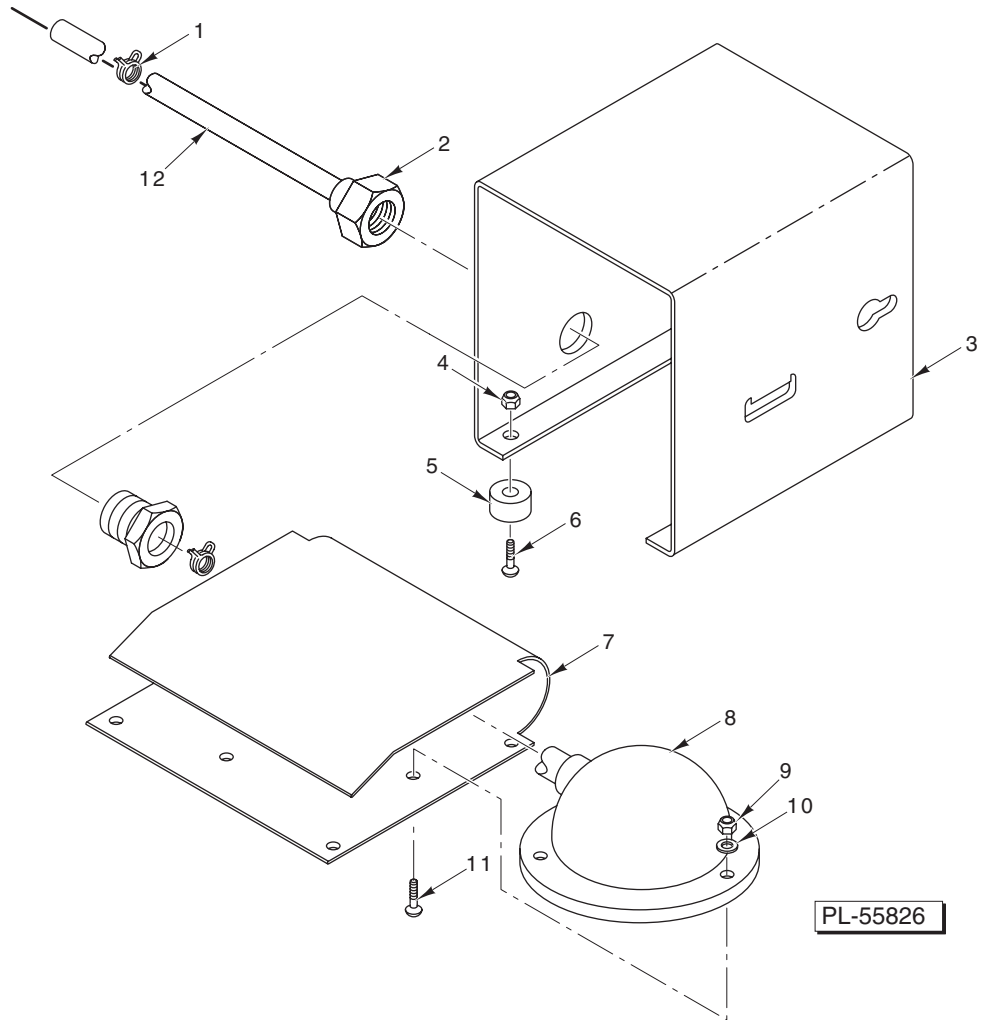


PL-56062

GRIND MOTOR UNIT

GRIND MOTOR UNIT

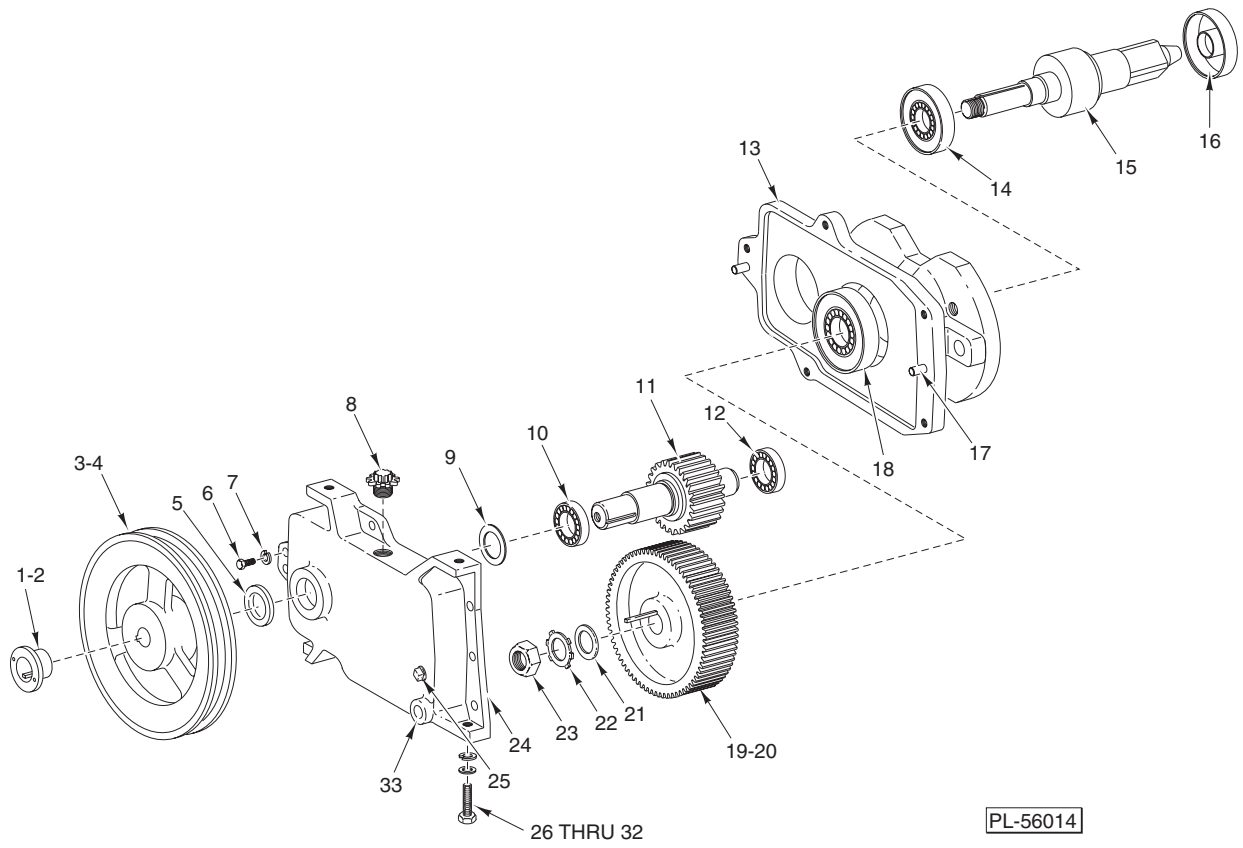
ILLUS.	PART NO.	NAME OF PART	AMT.
PL-56062			
1	00-435697-00003	Motor – Grind (208 V., 60 Hz., 3 Ph., 7½ Hp.)	1
2	00-435697-00004	Motor – Grind (240/480 V., 60 Hz., 3 Ph., 7½ Hp.)	1
3	00-435698-00002	Motor – Grind (1 Ph.)	1
4	00-012430-00106	Key 5/16 X 5/16 X 23/8 (7½ Hp.)	1
5	BV-013-41	V-Belt (380-415/50/3 Only)	3
6	BV-013-38	V-Belt (3 Ph., Except 380-415/50/3)	3
7	BV-013-37	V-Belt (1 Ph.)	3
8	00-479613-00001	Pulley – Timing (40T)	1
9	00-479613-00002	Pulley – Hub (7½ Hp.)	1
10	00-479613-00003	Pulley – Hub (5 Hp.)	1
11	00-479064	Stud & Plate	2
12	SC-118-09	Cap Screw 3/8-16 x 1¼ Hex Hd.	4
13	WS-030-05	Washer	4
14	WL-006-28	Lockwasher 3/8 Medium	4
15	NS-047-39	Nut 3/8-16 Hex (Grade 5)	4
16	00-478704	Bracket – Grind Motor	1
17	WS-030-05	Washer	4
18	WL-006-28	Lockwasher 3/8 Medium	4
19	NS-047-39	Nut 3/8-16 Hex (Grade 5)	4



**FOOT SWITCH UNIT
(PNEUMATIC)**

**FOOT SWITCH UNIT
(PNEUMATIC)**

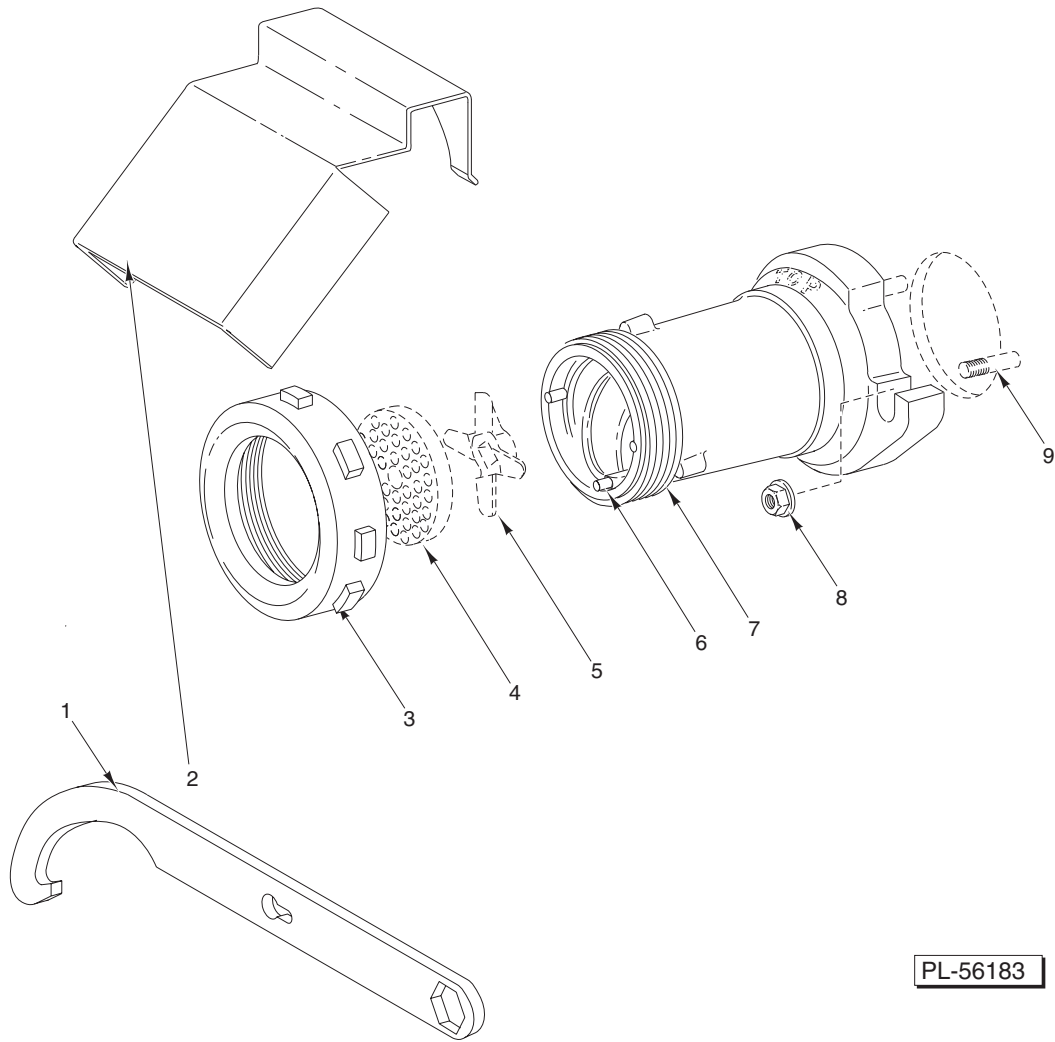
ILLUS.	PART NO.	NAME OF PART	AMT.
PL-55826			
1	00-115747-00008	Clamp – Hose	2
2	FE-024-10	Strain Relief	1
3	00-873544	Cover – Foot Switch	1
4	NS-031-08	Stop Nut – Special 10-24 Hex (SST)	4
5	00-019105-00002	Bumper	4
6	SC-021-89	Mach. Screw 10-24 x ⁵ / ₈ Rd. Hd.	4
7	00-873543	Pedal – Foot Switch	1
8	00-087711-214-1	Actuator – Air Switch	1
9	NS-031-08	Stop Nut 8-32 Special	3
10	WS-023-44	Washer	3
11	SC-021-15	Mach. Screw 8-32 x ¹ / ₂ Rd. Hd., Slotted	3
12	00-292629	Tubing – Air (72 In.)	1
	00-873545	Foot Switch Assy. (Incls. Items 1 thru 12)	1



TRANSMISSION UNIT

TRANSMISSION UNIT

ILLUS.	PART NO.	NAME OF PART	AMT.
PL-56014			
1	00-479615-00002	Hub	1
2	00-012430-00178	Key 1/4 x 1/4 x 1 1/2	1
3	00-479615-00001	Pulley – Transmission	1
4	00-479807-00001	Pulley – Transmission (50 Hz.)	1
5	00-186657	Seal – Oil	1
6	SC-062-22	Cap Screw 3/8-16 x 1 1/4 Hex Hd	5
7	WL-006-28	Lockwasher 3/8 Medium	5
8	00-108963-00002	Plug – Oil Fill	1
9	SL-003-11	Spring – Loading N.D. 72	1
10	BB-007-21	Ball Bearing – N.D. 3207	1
11	00-477940	Shaft – Pinion (18T)	1
12	BB-018-33	Ball Bearing – Fafnir #205KF	1
13	00-873490	Hub Attachment	1
14	BR-002-20	Roller Bearing – Cone & Cup Assy.	1
15	00-439742	Shaft – Grind Worm Drive	1
16	00-108591	Seal	1
17	00-508199	Pin – Dowel (Mach.)	2
18	BR-002-28	Roller Bearing – Cone & Cup Assy.	1
19	00-477939	Gear (57T)	1
20	00-012430-00215	Key	1
21	WL-017-07	Lockwasher – Bearing Lock Nut	1
22	00-186658	Washer – Keyed	1
23	NS-034-07	Lock Nut – N.D. #N-06	1
24	00-873483-00002	Case – Gear	1
25	FP-028-42	Plug – Pipe 1/8	1
26	SC-062-22	Cap Screw 3/8-16 x 1 1/4 Hex Hd.	2
27	WL-006-28	Lockwasher 3/8 Medium	2
28	WS-018-04	Washer	2
29	00-186646-00001	Shim (0.120 Thk.)	AR
30	00-186646-00002	Shim (0.060 Thk.)	AR
31	00-186646-00003	Shim (0.030 Thk.)	AR
32	00-186646-00004	Shim (0.018 Thk.)	AR
33	FP-028-38	Plug – Pipe 3/8	1
	00-873491	Transmission Assy. (Incls. Items 5 thru 25, & 33)	1



PL-56183

#32 GRINDER UNIT

ILLUS.	PART NO.	NAME OF PART	AMT.
PL-56183			
1	00-873570	Wrench – Cylinder	1
2	00-875250	Meat Deflector (Packaged)	1
3	00-873697	Ring – Adjusting	3
4	*	Plate – Grinder	1
5	*	Knife – Grinder	1
6	00-105806	Pin – Plate	1
7	00-873720-00002	Cylinder #32 (Mach. SST)	1
8	NS-048-57	Nut 5/8-11 Flanged Hex	2
9	00-118266	Stud	2
	00-877011-01567	Operators Video	1

* Sharp, High-Quality Knives And Plates Should Be Purchased Or Rented For This Grinder.