



CATALOG OF REPLACEMENT PARTS

MODEL 6430 & 6460 POTATO PEELER



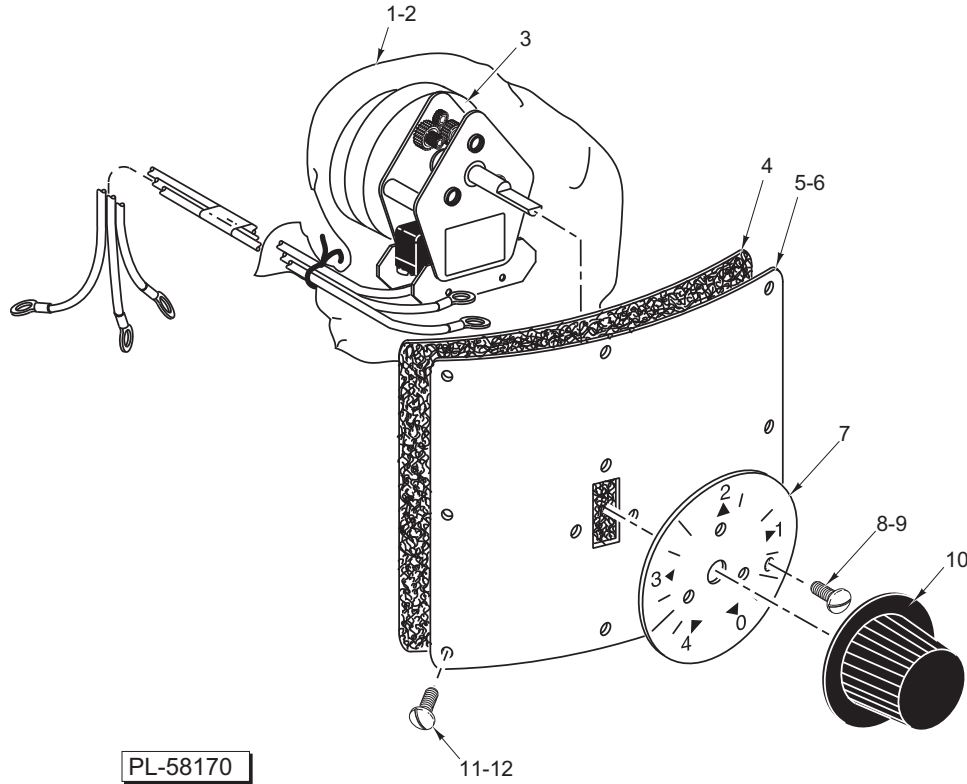
6430T	ML-137602
6430T CAN	ML-137603
6460T	ML-137604
6460T CAN	ML-137605
6460CT	ML-137606
6460M	ML-104809

PRIOR MLS COVERED IN THIS CATALOG

6430	ML-019628
6430T	ML-019629
6430T W/O MOTOR	ML-038699
6430C	ML-104560
6430CT	ML-104561
6460	ML-019630
6460T	ML-019631
6460T W/O MOTOR	ML-038700
6460C	ML-104562
6460CT	ML-104563
6460MT	ML-104810

Table of Contents

4	Timer Unit (Previous Construction)
5	Timer Unit (Current Construction)
7	Controls Unit
8	Housing Unit
11	Chute Unit
13	Liner Unit
15	Drive Unit
17	Peel Trap Unit
19	Disposer Stand Unit (1 Phase)

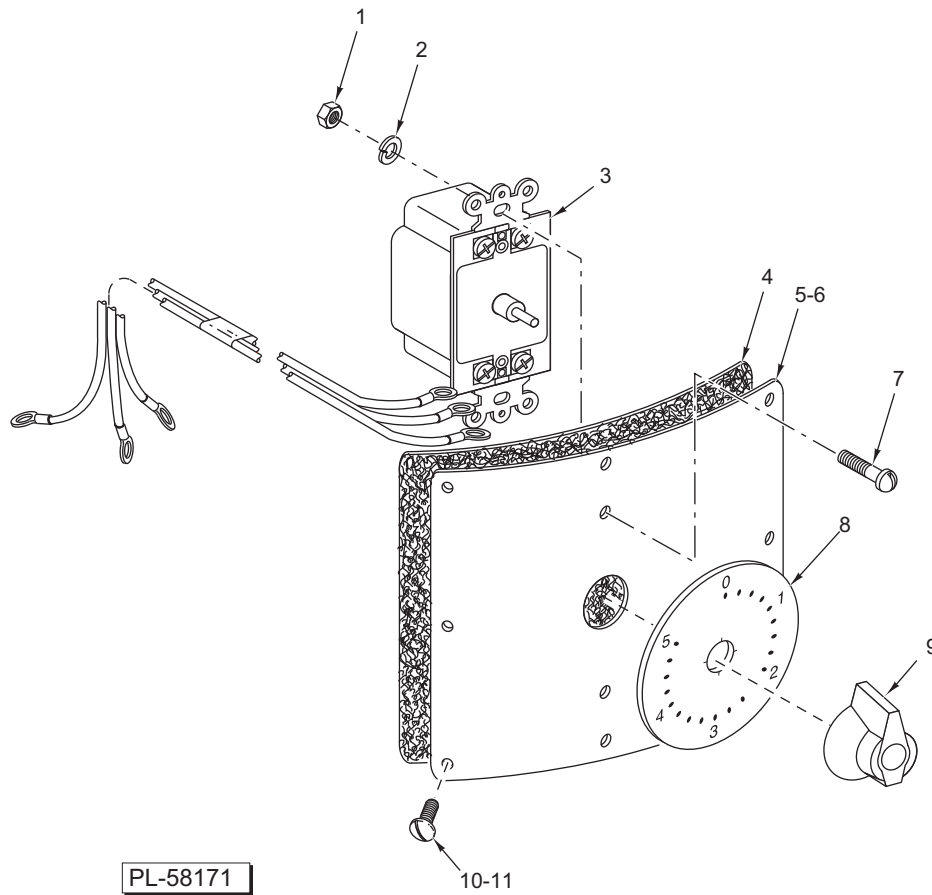


TIMER UNIT (PREVIOUS CONSTRUCTION)

ILLUS.	PART NO.	NAME OF PART	AMT.
PL-58170			
*1	-	Bag – Protective	1
2	00-065539	Tie – Plastic Bag	1
**3	-	Timer – Spring Wound	1
4	00-124528	Gasket – Cover	1
5	00-124571	Plate – Timer Cover	1
6	00-124571-00002	Plate – Timer Cover (6430C/6460C)	1
7	00-063206	Dial – Timer	1
8	SC-019-11	Mach. Screw 8-32 x 3/8 Slotted Binding Hd.	3
9	SC-128-68	Mach. Screw 8-32 x 3/8 Tx. Button Hd. (6460CT)	3
10	00-291748	Knob – Timer	1
11	SD-033-44	Self-Tapping Screw 8-18 x 5/16 Slotted Pan Hd., Type B	8
12	SD-037-78	Self-Tapping Screw 8-18 x 3/8 Hex Button Hd. (SST) (6430C/6460C)	8

*Part no longer available.

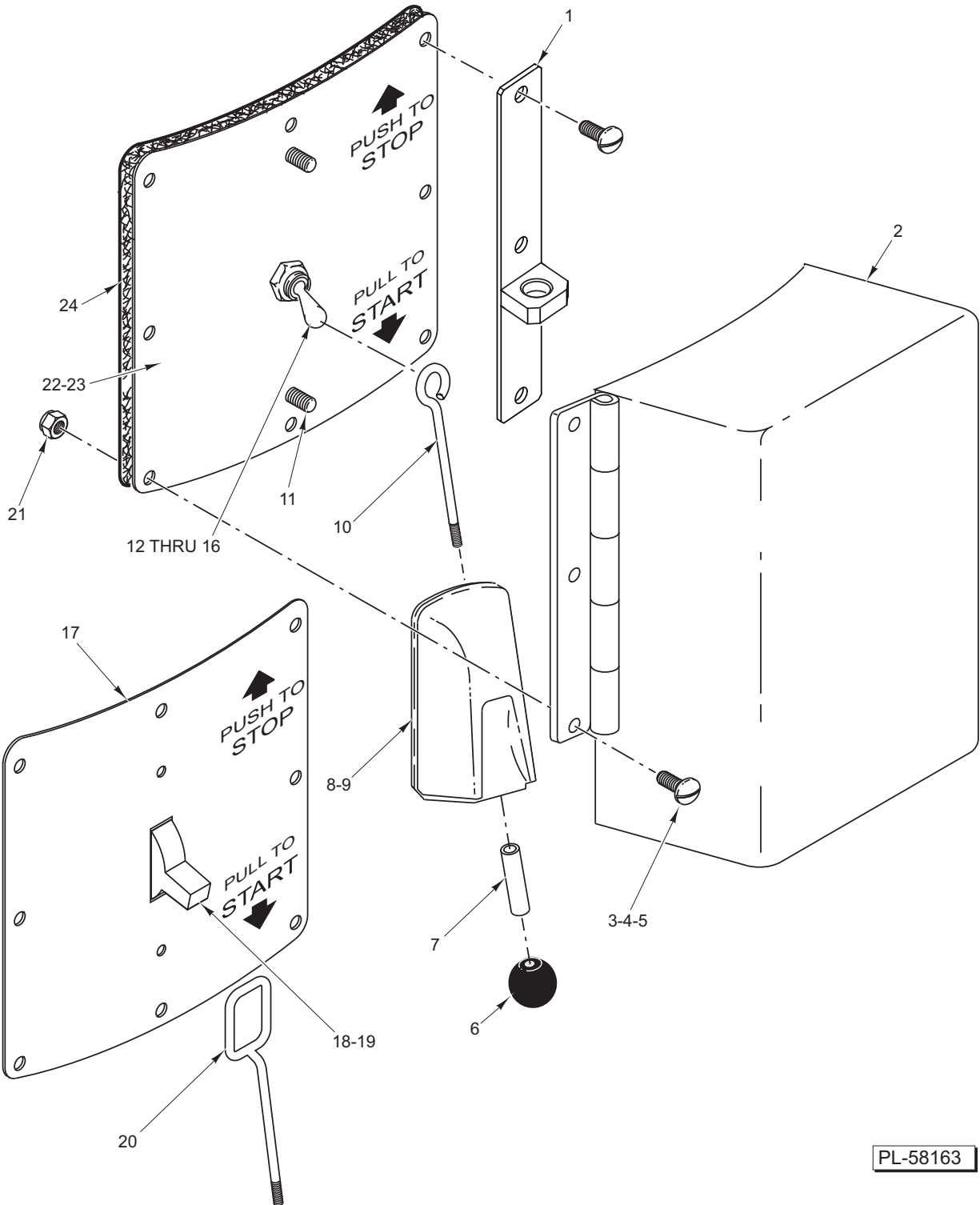
**On machines built before March 7, 2006, order kit 00-914431.



TIMER UNIT (CURRENT CONSTRUCTION)

ILLUS.	PART NO.	NAME OF PART	AMT.
	PL-58171		
1	NS-011-07	Nut 6-32 Mach. Hex (6460CT).....	2
2	WL-014-03	Washer #6 External (6460CT)	2
*3	00-891510	Timer – Spring Wound (Intermatic) (Incls. Item 9).....	1
4	00-124528	Gasket – Cover.....	1
5	00-891500	Cover – Timer (6430/6460).....	1
6	00-891500-00002	Cover – Timer (6460C)	1
7	SC-021-08	Mach. Screw 6-32 x 3 ¹ / ₈ Slotted Round Hd. (SST).....	2
8	00-914432	Dial – Adhesive (6430/6460).....	1
9	00-891509	Knob – Timer	1
10	SD-033-44	Self-Tapping Screw 8-18 x 3 ⁹ / ₁₆ Slotted Pan Hd., Type B	8
11	SD-037-78	Self-Tapping Screw 8-18 x 3 ⁷ / ₈ Hex Button Hd. (SST) (6430C/6460C).....	8
	00-914431	Kit – Spring Wound Timer Assy. (Incls. Items 1 thru 4, 7, 8, & 9)	1
	00-914295	Harness – Wiring	1

*On machines built before March 7, 2006, order kit 00-914431.



PL-58163

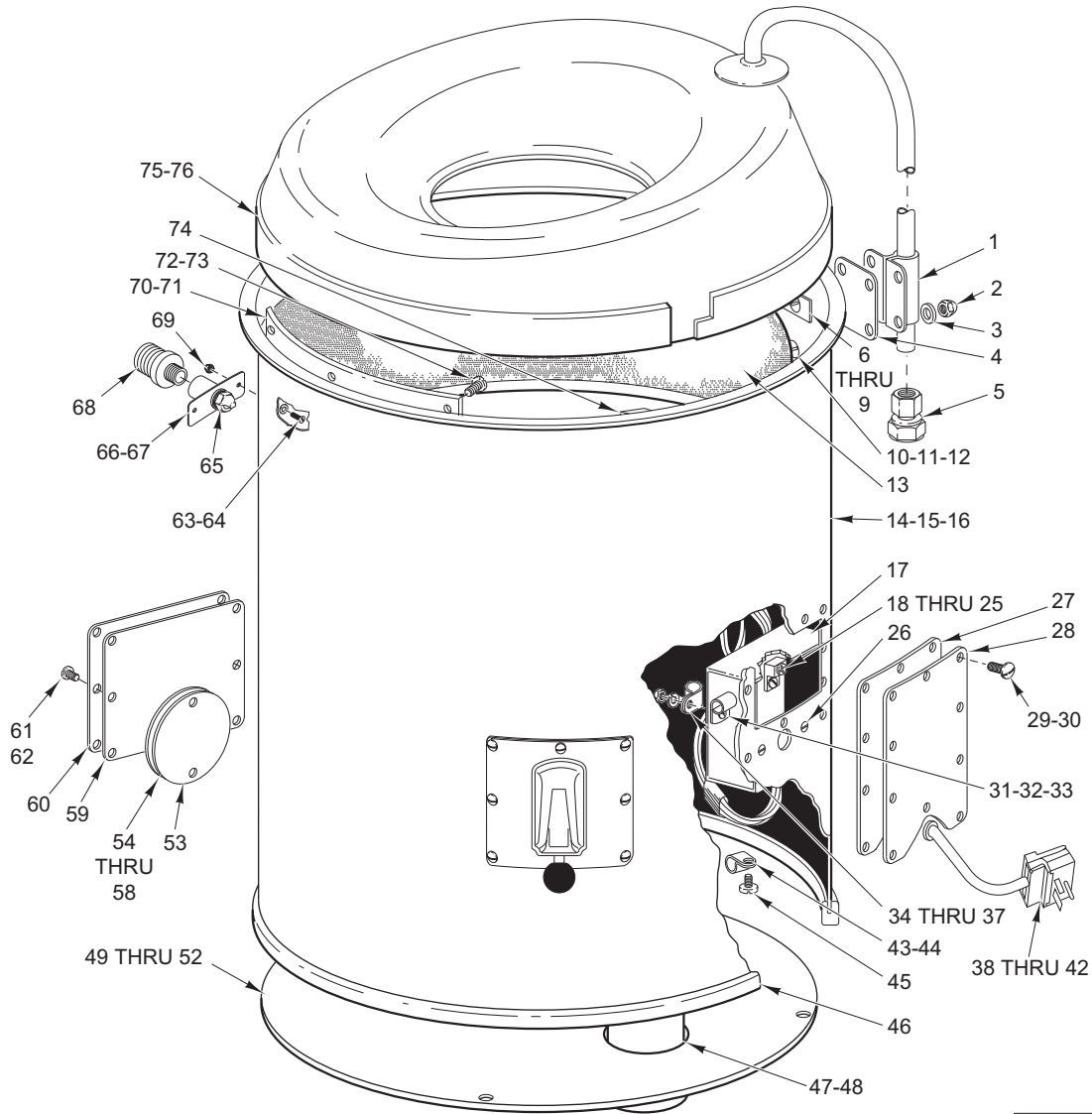
CONTROLS UNIT

CONTROLS UNIT

ILLUS.	PART NO.	NAME OF PART	AMT.
PL-58163			
1	00-437275	Hasp Weldment (6460C)	1
2	00-437274	Cover – Hinge & Latch Assy. (6460C)	1
3	SD-033-44	Self-Tapping Screw 8-18 x ⁵ / ₁₆ Slotted Pan Hd., Type B	8
4	SD-037-78	Self-Tapping Screw 8-18 x ³ / ₈ Hex Button Hd., Type AB (SST) (6430C/6460C).....	8
5	SC-128-62	Mach. Screw 10-24 x 1/2 Tx. Button Hd. (6460C/6460CT)	8
6	00-105197	Knob – Switch Rod	1
7	00-121559	Sleeve – Actuating Rod	1
8	00-105150	Housing – Switch Seal	1
9	00-124635	Gasket – Switch Housing.....	1
10	00-875609	Rod – Switch (SST)	1
11	SD-015-41	Self-Tapping Screw 8-32 x 1/2 Phil. Pan Hd., Type TT	2
12	00-875176	Switch (1 Ph.) (For Toggle-Switch Type).....	1
13	00-875174	Switch (3 Ph.) (For Toggle-Switch Type).....	1
14	00-066003	Bag – Protective (Behind Item 23).....	1
15	00-501046	Bag – Plastic (6430/6460)	1
16	00-065539	Tie – Plastic Bag (Behind Item 23)	1
*17	-	Cover – Switch	1
18	00-087711-212-1	Switch (1 Ph.) (For Light-Switch Type)	1
19	00-087711-206-1	Switch (3 Ph.) (For Light-Switch Type)	1
*20	-	Rod – Switch Activating	1
21	NS-032-01	Lock Nut 10-24 (6460C/6460CT).....	8
22	00-875166	Cover – Switch.....	1
23	00-875166-00002	Cover – Switch (6460C).....	1
24	00-124528	Gasket – Cover	1
	00-875170	Switch Assy. (3 Ph.) (6430/6460) (Incls. Items 5 thru 10, 12 thru 16, and 18).....	1
	00-875170-00002	Switch Assy. (3 Ph.) (6460C) (Incls. Items 5 thru 10, 12, 13, 14, 17 and 18)	1
	00-875210	Switch Assy. (1 Ph.) (6460M) (Incls. Items 5 thru 11, 13, 14, 16 and 18).....	1

*These parts are no longer available. If required, order switch assembly part number 875210 for 1-phase unit or 875170 for 3-phase unit.

MODELS 6430/6460 POTATO PEELER REPLACEMENT PARTS



PL-58164

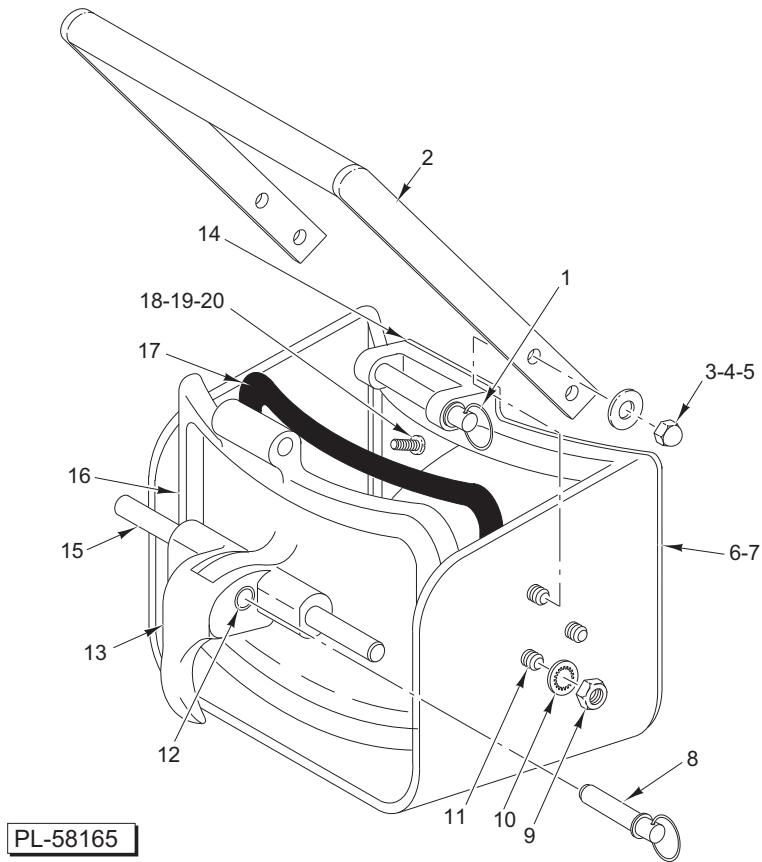
HOUSING UNIT

ILLUS.	PART NO.	NAME OF PART	AMT.
PL-58164			
1	00-078115	Fill Tube & Bracket Assy.	1
2	NS-025-01	Crown Nut 10-24 (SST)	4
3	WS-002-30	Washer (Fiber)	AR
4	00-078105	Gasket – Fill Tube	1
5	00-069903-00002	Coupling (1/2 Female Pipe x 5/8 Tube)	1
6	SC-022-18	Mach. Screw 10-24 x 7/16 Slotted Flat Hd. (SST)	2
7	SC-129-04	Mach. Screw 10-24 x 7/16 Tx. Flat Hd. (SST) (6460C/6460CT)	2
8	SC-122-14	Mach. Screw 10-24 x 3/8 Hex Flat Hd. (SST) (6430C)	2
9	00-124518	Bracket – Support	1
10	SC-025-07	Mach. Screw 10-24 x 5/16 Slotted Binding Hd. (SST)	2
11	SC-128-69	Mach. Screw 10-24 x 3/8 Tx. Button Hd. (SST) (6460C/6460CT)	2
12	SC-121-94	Mach. Screw 10-24 x 3/8 Hex Button Hd. (SST) (6430C)	2
*13	-	Kit – Liner	2
14	00-124697-00001	Housing – Formed (6430)	1
15	00-124697-00002	Housing – Formed (6460/6460M)	1

HOUSING UNIT (Cont.)

ILLUS. PL-58164	PART NO.	NAME OF PART	AMT.
16	00-124697-00003	Housing – Formed (6460C)	1
17	00-290497	Bracket – Wire Clamp	1
18	00-118544-00001	Lug – Solderless	1
19	SC-008-41	Mach. Screw 10-32 x 1/2 Slotted Rd. Hd.	1
20	WL-007-12	Lockwasher #10 External Shakeproof	1
21	NS-009-30	Mach. Nut 10-32 Hex.....	1
22	SC-027-28	Mach. Screw 8-32 x 1/4 Slotted Rd. Hd.....	6
23	SC-027-29	Mach. Screw 8-32 x 3/8 Slotted Rd. Hd.....	1
24	WL-010-01	Lockwasher #8 External	1
25	NS-010-11	Nut 8-32 Hex.....	1
26	SC-022-09	Mach. Screw 8-32 x 1/2 Slotted Flat Hd. (SST).....	2
27	00-124527	Gasket – Junction Box Cover	1
28	00-124525	Cover – Junction Box.....	1
29	SD-033-44	Self-Tapping Screw 8-18 x 5/16 Slotted Pan Hd., Type B	26
30	SD-037-78	Self-Tapping Screw 8-18 x 3/8 Hex Button Hd., Type AB (SST) (6430C/6460C).....	18
31	00-078752-00011	Clamp – Motor Lead (1 Ph.)	1
32	00-078752-00006	Clamp – Motor Lead (3 Ph.)	1
33	SC-081-17	Mach. Screw 10-32 x 1 Slotted Rd. Hd.....	1
34	00-078752-00004	Clamp – Motor Lead (1 Ph.)	3
35	00-078752-00006	Clamp – Motor Lead (3 Ph.) (Non-Timed)	1
36	WL-007-12	Lockwasher #10 External Shakeproof	1
37	NS-009-30	Mach. Nut 10-32 Hex.....	1
38	00-477598	Plug Cord (1 Ph.) (6460M).....	1
39	00-117612-00018	Plug Cord (3 Ph.) (6460M).....	1
40	FE-023-40	Strain Relief – Electrical (1 Ph.) (6460M)	1
41	FE-015-38	Strain Relief – Electrical (3 Ph.) (6460M)	1
42	FE-009-32	Strain Relief – Electrical (6460M)	AR
43	00-078752-00004	Clamp – Motor Lead (1 Ph.)	2
44	00-078752-00010	Clamp (3 Ph.).....	1
45	SC-009-65	Mach. Screw 8-32 x 1/4 Slotted Rd. Hd.	2
46	00-062635-00002	Base – Rubber	1
47	00-082437	Hose – Drain	1
48	00-089977	Clamp – Hose	1
49	00-078138	Plate – Bottom Cover.....	1
50	SC-041-10	Cap Screw 5/16-18 x 5/8 Hex Hd. (SST)	4
51	WL-006-22	Lockwasher 5/16 Light (SST).....	4
52	NS-018-06	Jam Nut 5/16-18 Hex Fin (SST).....	8
53	00-124529	Gasket – Reset Cover	1
54	00-124526	Plate – Blank Cover	1
55	00-070641-00018	Thumb Screw 8-32	2
56	NS-031-08	Stop Nut 8-32 Special ESNOW (SST) (Use with Top Thumb Screw)	1
57	SC-121-71	Mach. Screw 8-32 x 3/8 Tx. Button Hd. (SST) (6460CT)	2
58	SC-121-92	Mach. Screw 8-32 x 3/8 Tx. Button Hd. (SST) (6460C)	2
59	00-124528	Gasket – Cover	1
60	00-124522	Cover – Blank	1
61	SD-033-44	Self-Tapping Screw 8-18 x 5/16 Slotted Pan Hd., Type B	8
62	SD-039-29	Self-Tapping Screw 8-18 x 3/8 Tx. Button Hd. (6460C/6460CT)	18
63	WS-002-30	Washer (6460M)	2
64	SC-022-18	Mach. Screw 10-24 x 7/16 Slotted Flat Hd. (SST) (6460M)	2
65	00-477601	Nozzle – Spray (6460M).....	1
66	00-477603	Bracket – Water Inlet (6460M).....	1
67	00-477606	Gasket – Water Inlet (6460M).....	1
68	FP-087-68	Fitting – Hose 3/4 Male to 3/8 MPT (6460M)	1
69	NS-025-01	Crown Nut 10-24 (SST) (6460M).....	2
70	00-124754-00001	Reinforcement – Hopper (6430)	1
71	00-124754-00002	Reinforcement – Hopper (6460)	1
72	SC-053-06	Mach. Screw 10-24 x 5/8 Slotted Truss Hd. (SST).....	3
73	SC-129-05	Mach. Screw 10-24 x 5/8 Tx. Button Hd. (SST) (6460CT/6460C).....	3
74	00-077914	Pad – Hopper Top Locking.....	2
75	00-077919	Top – Hopper	1
76	00-891508-00002	Top – Hopper (6460M).....	1

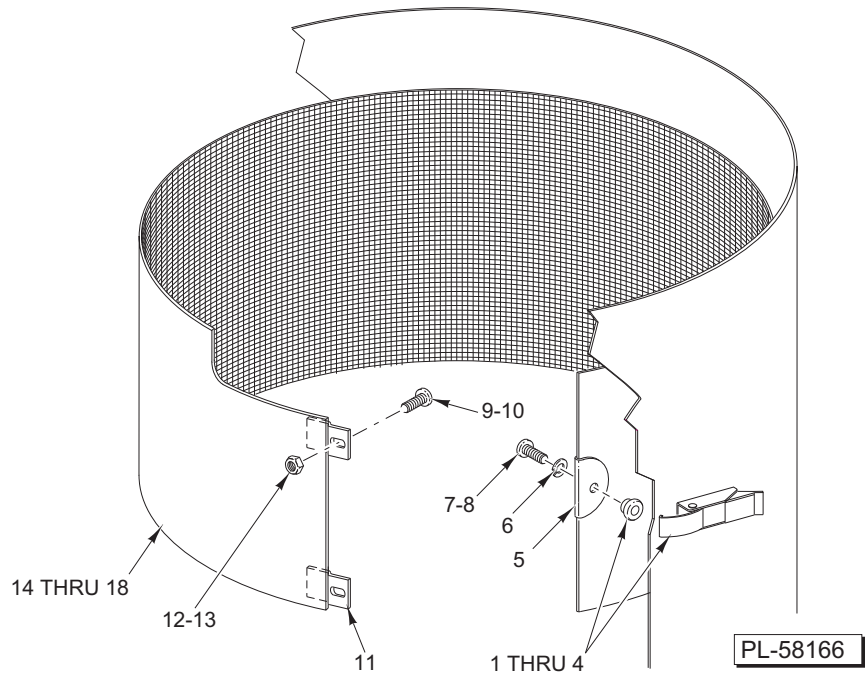
*Discontinued. See liner unit, Page 13, for updated parts.



CHUTE UNIT

CHUTE UNIT

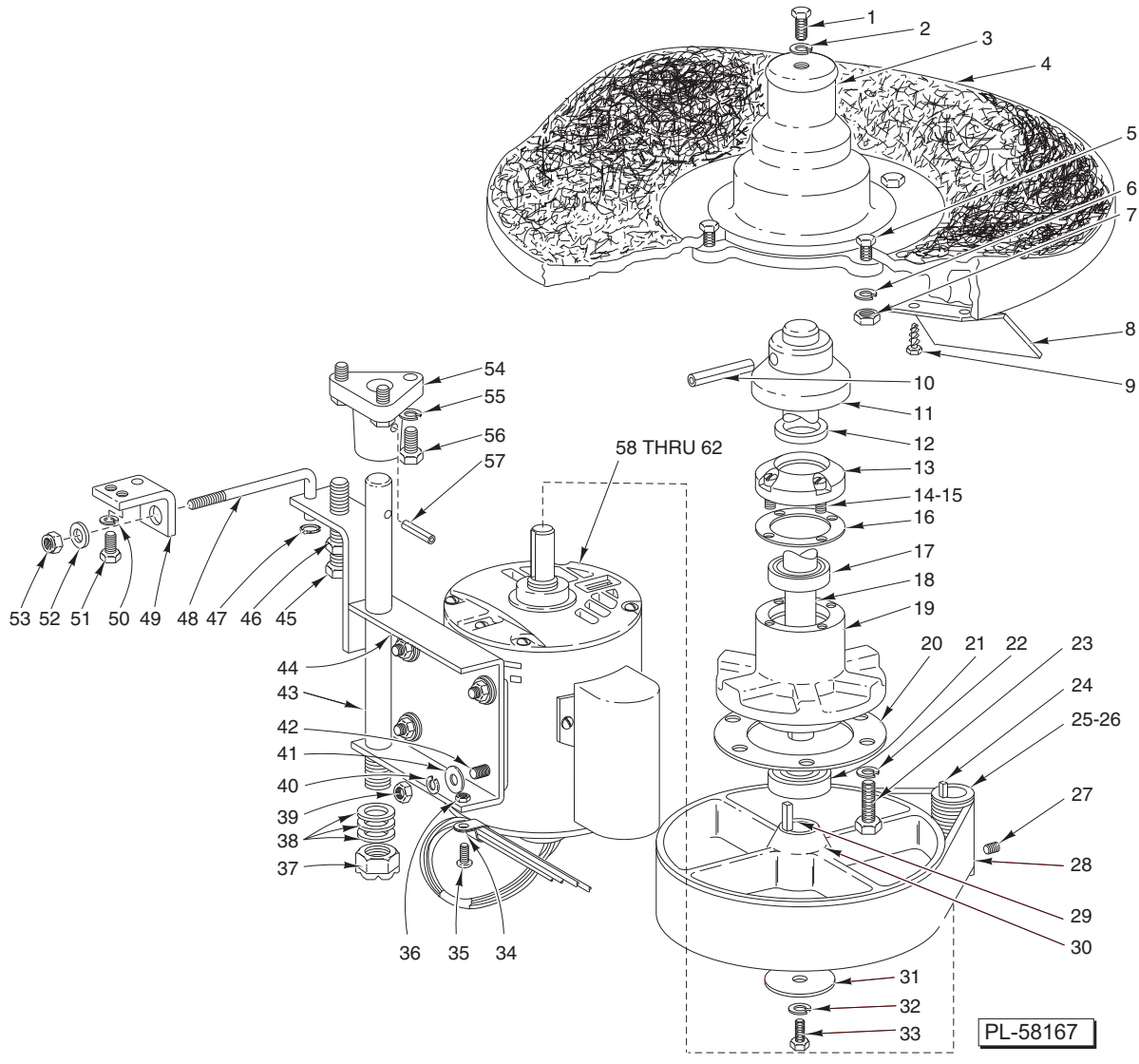
ILLUS.	PART NO.	NAME OF PART	AMT.
PL-58165			
1	00-292011-00001	Pin – Lock	1
2	00-477154	Handle (6460M/6460MT).....	1
3	SC-041-02	Cap Screw 1/4-20 x 1 Hex Hd. (SST) (6460M/6460MT).....	4
4	WS-017-08	Washer (SST) (6460M/6460MT).....	8
5	NS-025-04	Crown Nut 1/4-20 (SST) (6460M/6460MT)	4
6	00-477157	Chute (6460M/6460MT).....	1
7	00-077981	Chute	1
8	00-292011-00003	Pin – Lock	1
9	NS-018-06	Jam Nut 5/16-18 Hex Fin (SST).....	2
10	WL-008-22	Lockwasher 5/16 Internal Shakeproof.....	2
11	00-064200-00002	Stud – Latch.....	2
12	00-078145	Bushing – Chute Door	1
13	00-437455	Handle – Locking Assy. (Incls. Item 15).....	1
14	00-078114	Gasket – Chute.....	1
15	00-290338	Shaft – Door Locking	2
16	00-078148	Chute Door – Bushing & Seal Assy. (Incls. Item 17).....	1
17	00-062372-00002	Seal – Chute Door	1
18	SC-112-77	Mach. Screw 10-24 x 7/16 Slotted Pan Hd. (SST).....	8
19	SC-121-94	Mach. Screw 10-24 x 3/8 Hex Button Hd. (SST) (6430C/6430CT)	8
20	SC-128-69	Mach. Screw 10-24 x 3/8 Tx. Button Hd. (SST) (6460C/6460CT).....	8
	00-477153	Chute – Handle Assy. (Incls. Items 2 thru 6) (6460M/6460MT)	1
	00-437420	Door & Handle Assy. (Incls. Items 8, 13, & 16).....	1



LINER UNIT

LINER UNIT

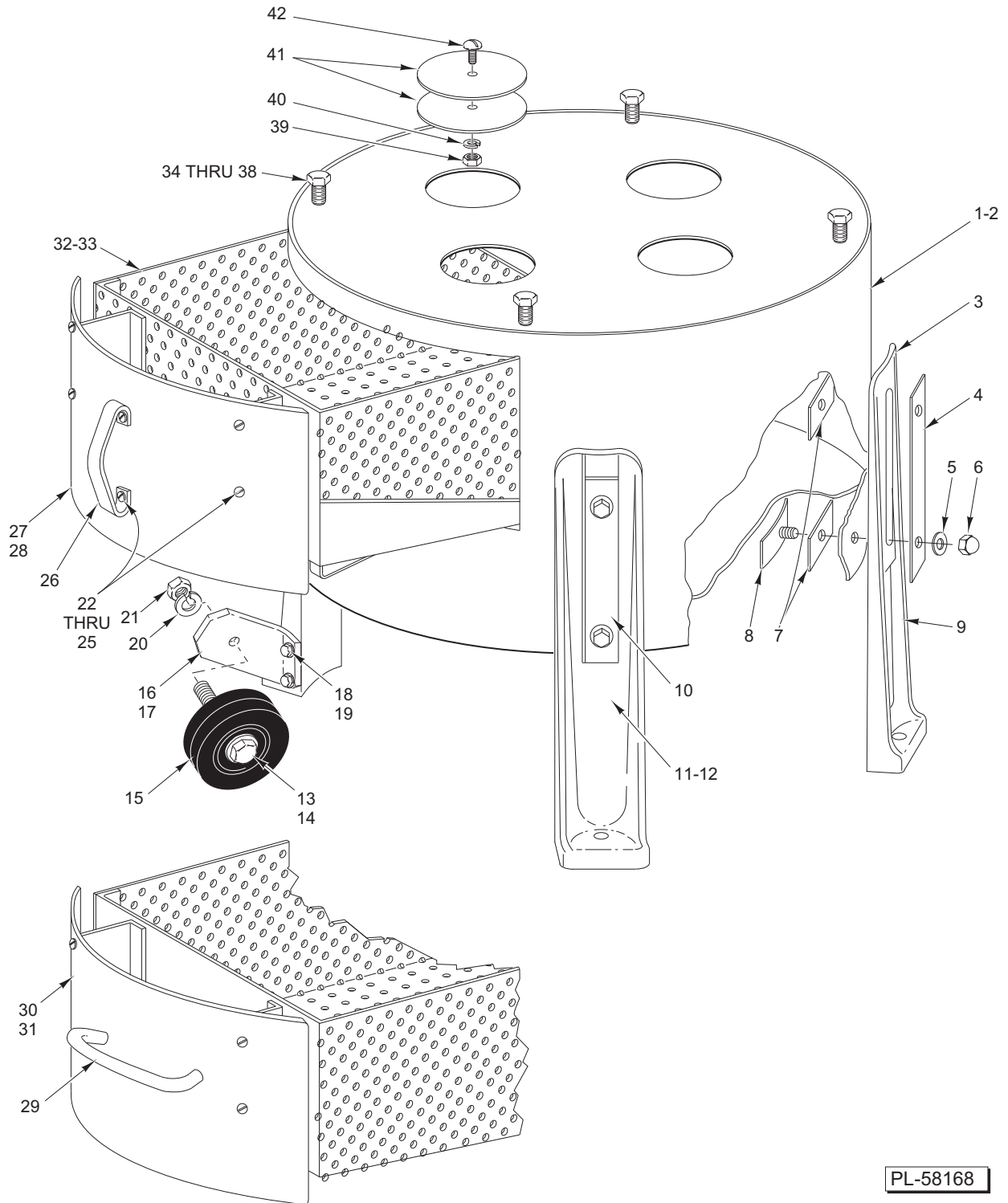
ILLUS. PL-58166	PART NO.	NAME OF PART	AMT.
1	00-479480	Latch – Keeper & Draw.....	1
2	SC-127-84	Mach. Screw 8-32 x ⁵ / ₁₆ Phil. Round Hd. (SST).....	2
3	SC-128-46	Mach Screw 8-32 x ⁵ / ₁₆ Hex Button Hd. (SST) (6430C/6430CT/6460C/6460CT).....	2
4	NS-031-08	Stop Nut Special 8-32 ESNA (SST).....	2
5	00-479473	Bracket – Liner.....	1
6	WL-006-11	Lockwasher #12 Light (SST)	1
7	SC-066-26	Mach. Screw 12-24 x ¹ / ₂ Phil. Truss Hd. (SST).....	1
8	SC-129-11	Mach. Screw 12-24 x ¹ / ₂ Tx. Button Hd. (SST) (6430C/6430CT/6460C/6460CT)	1
9	SC-109-62	Mach. Screw 10-24 x ³ / ₈ Slotted Pan Hd. (SST)	2
10	SC-121-94	Mach Screw 10-24 x ³ / ₈ Hex Button Hd. (SST) (6430C/6430CT/6460C/6460CT).....	2
11	00-479475	Bracket – Liner LH.....	2
12	NS-025-01	Crown Nut 10-24 (SST)	2
13	NS-031-15	Stop Nut 10-24 (SST)	2
14	00-479494-00002	Liner Service Assy. (6430/6430T) (Incls. Hardware).....	1
15	00-479494-00003	Liner Service Assy. (6460/6460T) (Incls. Hardware).....	1
16	00-479494-00004	Liner Service Assy. (6460M) (Incls. Hardware).....	1
17	00-479494-00005	Liner Service Assy. (6430C/6430CT) (Incls. Hardware)	1
18	00-479494-00006	Liner Service Assy. (6460C/6460CT) (Incls. Hardware)	1



DRIVE UNIT

DRIVE UNIT

ILLUS.	PART NO.	NAME OF PART	AMT.
PL-58167			
1	SC-041-09	Cap Screw 5/16-18 x 1/2 Hex Hd. (SST)	1
2	00-070706-00002	Washer – Sealer	1
3	00-078154	Drive Hub & Liner Assy.	1
4	00-078198	Abrasive Disc (Disc Only)	1
5	SC-041-31	Cap Screw 3/8-16 x 1 1/4 Hex Hd. (SST)	4
6	WL-006-27	Lockwasher 3/8 Light (SST)	4
7	NS-018-14	Jam Nut 3/8-16 Hex (SST)	4
8	00-078109	Wiper – Hopper	2
9	SD-009-16	Self-Tapping Screw 1/4-20 x 3/4 Hex Hd., Type F	4
10	PS-003-40	Spiral Pin 3/8 Dia. x 2 1/4 Lg. (SST)	1
11	00-077960	Flinger	1
12	00-077483	Seal – Drive Shaft	1
13	00-077979	Retainer – Bearing	1
14	SC-012-36	Mach. Screw 10-24 x 3/4 Slotted Fil. Hd.	4
15	WL-003-20	Lockwasher #10 Light	4
16	00-078106	Gasket – Bearing Retainer	1
17	BB-015-08	Ball Bearing SKF 6005-2RSI/C3 OE6 HT 51	1
18	00-077965	Shaft – Drive	1
19	00-077978	Support – Drive Shaft	1
20	00-078110	Gasket – Support Hub	1
21	BB-005-34	Ball Bearing NSK 6204DDUCE1SRIS	1
22	WL-004-03	Lockwasher 3/8 Medium	6
23	SC-036-57	Cap Screw 3/8-16 x 1 1/4 Hex Hd.	6
24	00-012430-00064	Key	1
25	00-077989	Pulley – Motor (60 Hz.)	1
26	00-081356	Pulley – Motor (50 Hz.)	1
27	SC-047-12	Set Screw 1/4-20 x 3/8 Soc. Hdls., Kn. Cup Pt.	1
28	00-078094	Belt – Drive	1
29	00-012430-00148	Key	1
30	00-077962	Pulley – Drive	1
31	WS-005-08	Washer	1
32	WL-007-19	Lockwasher 5/16 External Shakeproof	1
33	SC-036-25	Cap Screw 5/16-18 x 3/4 Hex Hd.	1
34	00-078752-00004	Clamp – Motor Lead	1
35	SC-007-42	Mach. Screw 8-32 x 1/2 Slotted Rd. Hd.	1
36	NS-009-12	Mach. Nut 8-32 Hex	1
37	NS-031-41	Stop Nut 3/4-16 Elastic	1
38	WS-012-41	Washer	AR
39	NS-013-11	Nut 5/16-18 Hex Fin	4
40	WL-003-43	Lockwasher 5/16 Light	4
41	WS-005-05	Washer	4
42	SC-036-25	Cap Screw 5/16-18 x 3/4 Hex Hd.	4
43	00-077964-00001	Shaft – Motor Mount	1
44	00-077993	Motor Mounting Bracket Assy.	1
45	SC-111-75	Cap Screw 3/8-16 x 3 1/2 Hex Hd. (Thd. to Hd.)	1
46	NS-013-22	Nut 3/8-16 Hex Fin	1
47	RR-007-10	Retaining Ring	1
48	00-077987-00001	Tightener – Belt	1
49	00-077988	Bracket – Belt Tightener	1
50	WL-003-43	Lockwasher 5/16 Light	2
51	SC-090-07	Cap Screw 5/16-24 x 5/8 Hex Hd.	2
52	WS-004-25	Washer	1
53	NS-032-12	Stop Nut 5/16-18 Flexloc	1
54	00-077961	Support Motor Mount	1
55	WL-003-44	Lockwasher 5/16 Medium	3
56	SC-090-08	Cap Screw 5/16-24 x 1 Hex Hd.	3
57	PS-003-24	Spiral Pin 1/4 Dia. x 1 1/2 Lg.	1
58	00-875503-00001	Motor (115/200-230 V., 60 Hz., 1 Ph.)	1
59	00-875504-00001	Motor (200-230/460 V., 60 Hz., 3 Ph.)	1
60	00-278172-00002	Motor (115/200-240 V., 50 Hz., 1 Ph.)	1
61	SD-015-39	Self-Tapping Screw 8-32 x 1/4 Phil. Pan Hd., Type TT	1
62	WL-007-07	Lockwasher #8 External	1
	00-078240	Vertical Drive Assy. (Incls. Items 10 thru 19 & 21)	1
	00-123730	Hub Disc Assy. (Incls. Items 1 thru 9)	1

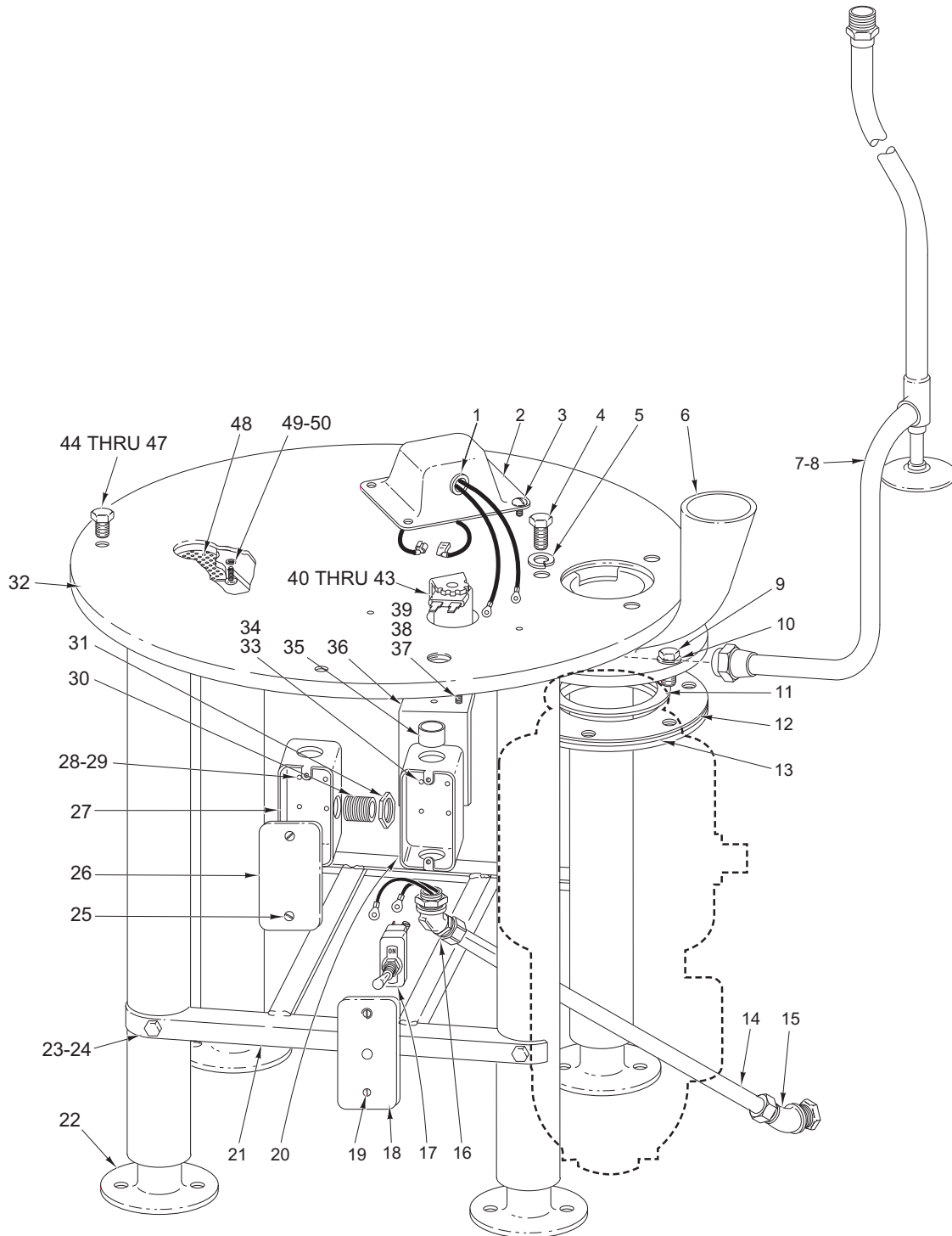


PL-58168

PEEL TRAP UNIT

PEEL TRAP UNIT

ILLUS.	PART NO.	NAME OF PART	AMT.
PL-58168			
1	00-077938-00001	Peel Trap Assy. (6430).....	1
2	00-077938-00002	Peel Trap Assy. (6460).....	1
3	00-077963	Leg – Peel Trap	4
4	00-077990	Cover – Leg Slot.....	4
5	WS-006-44	Washer (SST).....	8
6	NS-025-16	Crown Nut 3/8-16 (SST).....	8
7	00-062601-00002	Gasket – Leg Screw	8
8	00-077620	Inside Leg Clamp Assy.....	8
9	00-477152-00001	Leg – Peel Trap (Without Caster) (6460M/6460MT).....	2
10	00-477599	Cover – Leg Slot (6460M/6460MT)	4
11	00-477152-00002	Leg – Peel Trap LH (With Caster) (6460M/6460MT).....	1
12	00-477152-00003	Leg – Peel Trap RH (With Caster) (6460M/6460MT)	1
13	00-477151	Axle – Wheel Mounting (6460M/6460MT)	2
14	WS-024-08	Washer (SST) (6460M/6460MT).....	2
15	00-477600	Caster (6460M/6460MT).....	2
16	00-477150-00001	Bracket – Wheel Mounting LH (6460M/6460MT)	1
17	00-477150-00002	Bracket – Wheel Mounting RH (6460M/6460MT).....	1
18	SC-041-10	Cap Screw 5/16-18 x 5/8 Hex Hd. (SST) (6460M/6460MT)	4
19	WL-006-22	Lockwasher 5/16 Light (SST) (6460M/6460MT)	4
20	WL-006-28	Lockwasher 3/8 (SST) (6460M/6460MT)	2
21	NS-015-13	Hex Nut 3/8-16 (SST) (6460M/6460MT)	2
22	SC-053-05	Mach. Screw 10-24 x 3/8 Slotted Truss Hd.	6
23	SC-121-34	Mach. Screw 1/4-20 x 2 Hex Button Hd. (SST) (6430C/6430CT/6460C/6460CT).....	6
24	00-526407	Adhesive.....	AR
25	NS-031-15	Stop Nut 10-24 Elastic (SST).....	4
26	00-111303-00002	Handle – Strainer Door (Previous Construction)	1
27	00-078080-00001	Strainer Door & Support (6430) (Previous Construction)	1
28	00-078080-00002	Strainer Door & Support (6460) (Previous Construction)	1
29	00-478486	Handle – Strainer Door (Current Construction)	1
30	00-478484-00001	Strainer Door & Support (6430) (Current Construction)	1
31	00-478484-00002	Strainer Door & Support (6460) (Current Construction)	1
32	00-478490-00001	Basket – Peel Trap Strainer Assy. (6430 Series).....	1
33	00-478490-00002	Basket – Peel Trap Strainer Assy. (6460 Series).....	1
34	SC-113-18	Mach. Screw 5/16-18 x 1/4 Hex Hd. (SST).....	4
35	WL-006-22	Lockwasher 5/16 Light (SST).....	4
36	WS-017-08	Washer (SST).....	4
37	NS-018-06	Hex Jam Nut 5/16-18 (SST).....	4
38	NS-015-11	Hex Nut 5/16-18 (SST).....	4
39	NS-011-18	Hex Nut 10-24 (SST)	3
40	WL-006-07	Lockwasher #10 Medium (SST)	3
41	00-079414	Disc – Cover	6
42	SC-021-23	Mach. Screw 10-24 x 1/2 Hex Hd. ESNA (SST).....	3
	00-290581	Leg Pack (Set of 2 Legs) (Incls. Items 3 & 4) (6460).....	2
	00-477600	Leg Pack (Set of 2 Legs) (Incls. Items 9 thru 12) (6460M).....	2



PL-58169

**DISPOSER STAND UNIT
(1 PHASE)**

**DISPOSER STAND UNIT
(1 PHASE)**

ILLUS. PL-58169	PART NO.	NAME OF PART	AMT.
1	00-080369	Bushing – Snap	1
2	00-081411	Cover – Fill Valve	1
3	SD-034-59	Self-Tapping Screw 10-32 x 3/8 Phil. Pan Hd., Type T.....	2
4	SC-062-42	Cap Screw 3/8-16 x 1 Hex Hd.	3
5	WL-004-04	Lockwasher 3/8 Light.....	3
6	00-078527	Flange – Disposer.....	1
7	00-078580-00001	Water Inlet Tubing Assy. (6430).....	1
8	00-078580-00002	Water Inlet Tubing Assy. (6460).....	1
9	SC-037-75	Cap Screw 5/16-18 x 3/4 Hex Hd.	6
10	WL-003-41	Lockwasher 5/16 Light	6
*11	00-080925	Gasket – Sink Flange	1
12	00-080288	Gasket – Adapter Plate.....	1
13	00-116852-00004	Ring – Adapter	1
14	00-068190-00025	Conduit – 3/8 x 16 (Waterproof).....	1
15	FE-007-02	Connector 45 Deg. Sealtite (1/2 Male Thd. x 3/8 Flex. Cnd.)	1
16	FE-007-02	Connector 45 Deg. Sealtite (1/2 Male Thd. x 3/8 Flex. Cnd.)	1
17	00-087711-145-1	Switch – Toggle (With Nuts).....	1
18	FE-022-38	Cover – Junction Box.....	1
19	SC-015-20	Mach. Screw 8-32 x 3/8 Slotted Oval Hd.....	2
20	FE-003-19	Box – Junction	1
21	00-290525	Leg Support Assy.	1
22	00-290926	Foot – Adjustable	4
23	SC-041-12	Cap Screw 5/16-18 x 7/8 Hex Hd.	4
24	00-080283	Rivnut 5/16-18.....	4
25	SC-015-20	Mach. Screw 8-32 x 3/8 Oval Hd.....	2
26	FE-004-24	Cover – Junction Box.....	1
27	FE-003-19	Box – Junction	1
28	SC-018-20	Mach. Screw 10-24 x 1/2 Slotted Pan Hd.....	1
29	WL-014-07	Lockwasher #10 External (SST).....	1
30	FE-005-02	Conduit 1/2 x 1 1/8 (RTFL).....	1
31	FE-006-07	Lock Nut 1/2 (Cnd.)	4
32	00-290520	Top & Leg Assy. (Incls. Items 21, 23, & 24)	1
33	SC-010-50	Mach. Screw 10-24 x 5/16 Slotted Truss Hd.	2
34	WL-003-20	Lockwasher #10 Light.....	2
35	00-124317	Bushing – Insulating	1
36	00-078579	Bracket – Switch	1
37	SC-010-50	Mach. Screw 10-24 x 5/16 Slotted Truss Hd.....	2
38	WL-003-20	Lockwasher #10 Light.....	2
39	WS-019-06	Washer (SST)	2
40	00-438812-00001	Fill Valve Assy. (115 V.).....	1
41	00-438812-00002	Fill Valve Assy. (240 V.).....	1
42	SC-010-50	Mach. Screw 10-24 x 5/16 Slotted Truss Hd.....	2
43	WL-003-20	Lockwasher #10 Light.....	2
44	SC-041-15	Cap Screw 5/16-18 x 1 1/4 Hex Hd. (SST)	4
45	WL-006-22	Lockwasher 5/16 Light (SST).....	4
46	NS-018-06	Jam Nut 5/16-18 Hex (SST).....	4
47	NS-015-11	Hex Nut 5/16-18 (SST).....	4
48	00-078815	Screen – Air	1
49	SC-081-71	Mach. Screw 1/4-20 x 1/4 Slotted Rd. Hd.	4
50	WS-003-49	Washer (SST)	4

*See PIPS service obligation report 07/30/00.

