



CATALOG OF REPLACEMENT PARTS

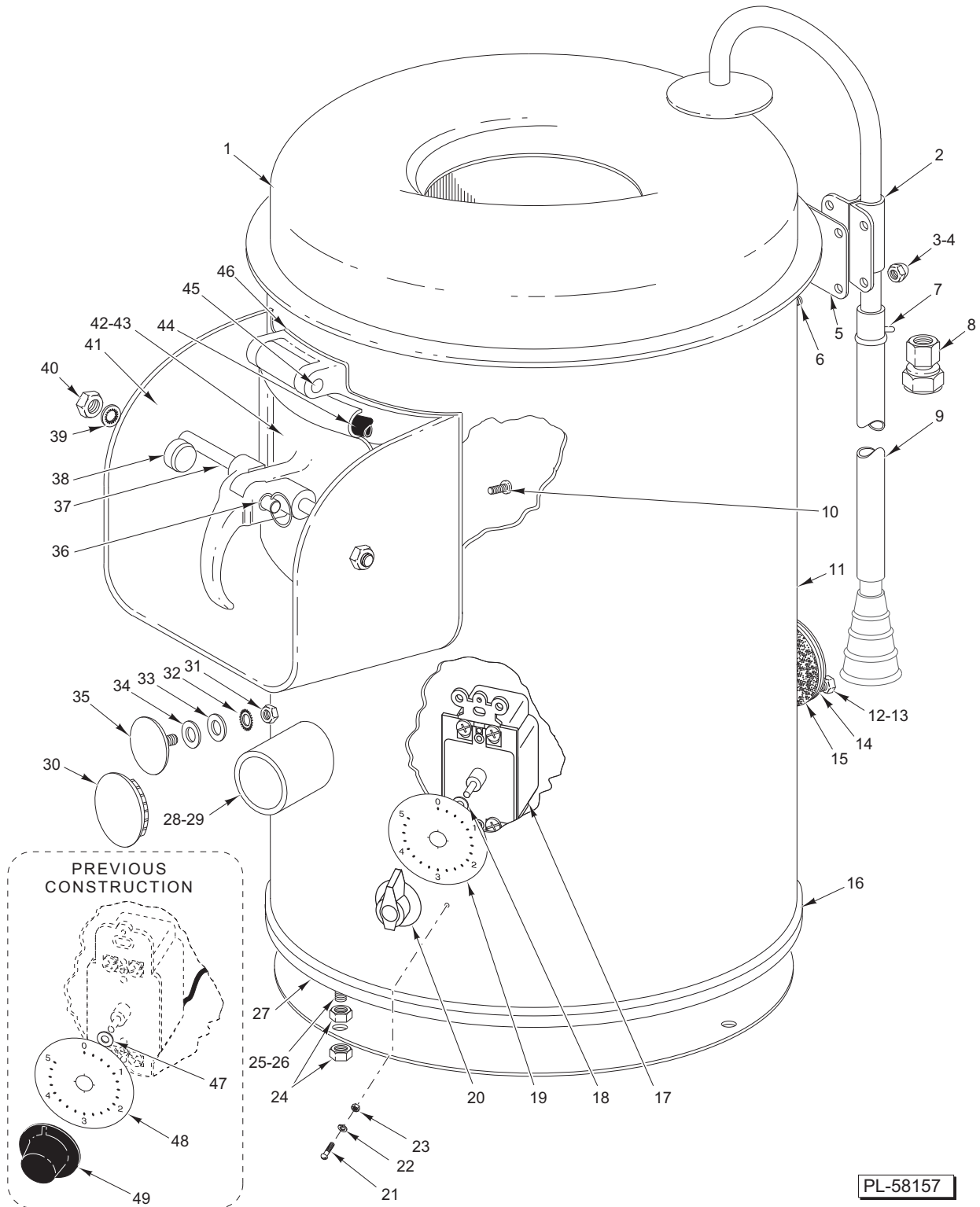


MODEL 6115 POTATO PEELER

ML-137600
ML-137601

PRIOR MLS COVERED IN THIS CATALOG

ML-19869
ML-19683

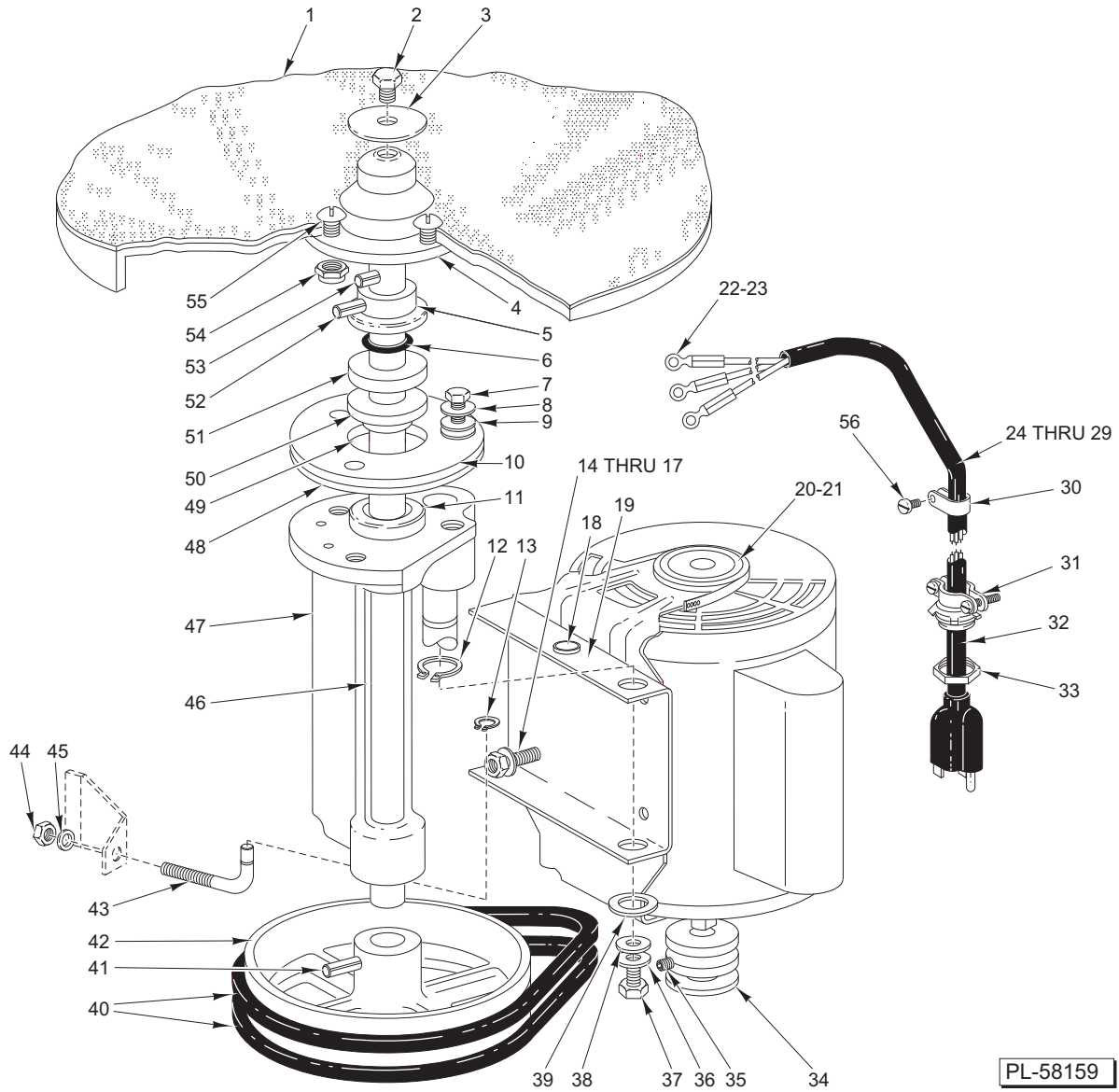


HOUSING UNIT

HOUSING UNIT

ILLUS. PL-58157	PART NO.	NAME OF PART	AMT.
1	00-891514	Top – Hopper	1
2	00-064350	Fill Tube & Bracket Assy.	1
3	NS-025-01	Acorn Nut 10-24 Hex	4
4	WS-002-30	Washer.....	AR
5	00-063294	Gasket – Fill Assy.....	1
6	SC-025-07	Mach. Screw 10-24 x 5/16 Bndg. Hd.....	4
7	00-063242	Clamp – Hose	1
8	00-079404-00001	Coupling (1/2 In. Female Pipe x 1/2 In. Tube) (Use With Peel Trap Only).....	1
9	00-063456	Hose – Fill	1
10	SC-025-07	Mach. Screw 10-24 x 5/16 Bndg. Hd.....	11
11	00-891504	Housing Assy.	1
12	00-070641-00018	Thumb Screw.....	2
13	NS-031-08	Stop Nut 8-32 “Elastic”.....	1
14	00-124526	Cover – Reset Button	1
15	00-124529	Gasket – Reset Cover	1
16	00-062635-00001	Base – Rubber.....	1
*17	00-891510	Timer – Spring Wound (Intermatic) (Incls. Item 20).....	1
18	WS-003-25	Washer.....	1
19	00-914432	Dial – Adhesive (Current Construction)	1
20	00-891509	Knob – Timer (Current Construction).....	1
21	SC-021-08	Mach. Screw 6-32 x 3/8 Slotted Rd. Hd. (SST).....	2
22	WL-014-03	Lockwasher #6 External	2
23	NS-011-07	Nut – 6-32 Mach. Hex (SST)	2
24	NS-018-06	Jam Nut 5/16-18 Hex Fin.	8
25	SC-041-10	Cap Screw 5/16-18 x 5/8 Hex Hd.	4
26	WS-017-08	Washer.....	4
27	00-064351	Cover – Bottom Plate.....	1
28	00-538412	Clamp – Hose	1
29	00-069642	Hose – Drain.....	1
30	00-291592	Plug Button (Use With Peel Trap Only)	1
31	NS-009-22	Mach. Nut 10-24 Hex.....	1
32	WL-010-06	Lockwasher #10 External Shakeproof	1
33	WS-018-09	Washer.....	1
34	WS-022-16	Washer.....	1
35	00-063215	Timer Hole Cover & Screw Assy.	1
36	00-292011-00004	Pin – Lock	1
37	00-437454	Door Handle – Locking Assy.	1
38	00-064200-00002	Stud – Latch.....	2
39	WL-008-22	Lockwasher 5/16 Internal Shakeproof.....	2
40	NS-018-06	Jam Nut 5/16-18 Hex Fin	2
41	00-064219	Chute – Housing	1
42	00-078145	Bushing – Chute Door	1
43	00-102826	Door & Seal Assy. (Incls. Items 42 & 44).....	1
44	00-062372-00001	Seal – Chute Door	1
45	00-292011-00002	Pin – Lock	1
46	00-062387	Gasket – Chute Housing.....	1
47	WS-003-25	Washer.....	1
48	00-063206	Dial – Timer (Previous Construction).....	1
49	00-291748	Knob – Timer (Previous Construction).....	1
	00-437419	Door & Handle Assy. (Incls. Items 36, 37, & 43).....	1
	00-914431	Kit – Spring Wound Timer Assy. (Incls. Items 17, 19, 21, 22, & 23).....	1

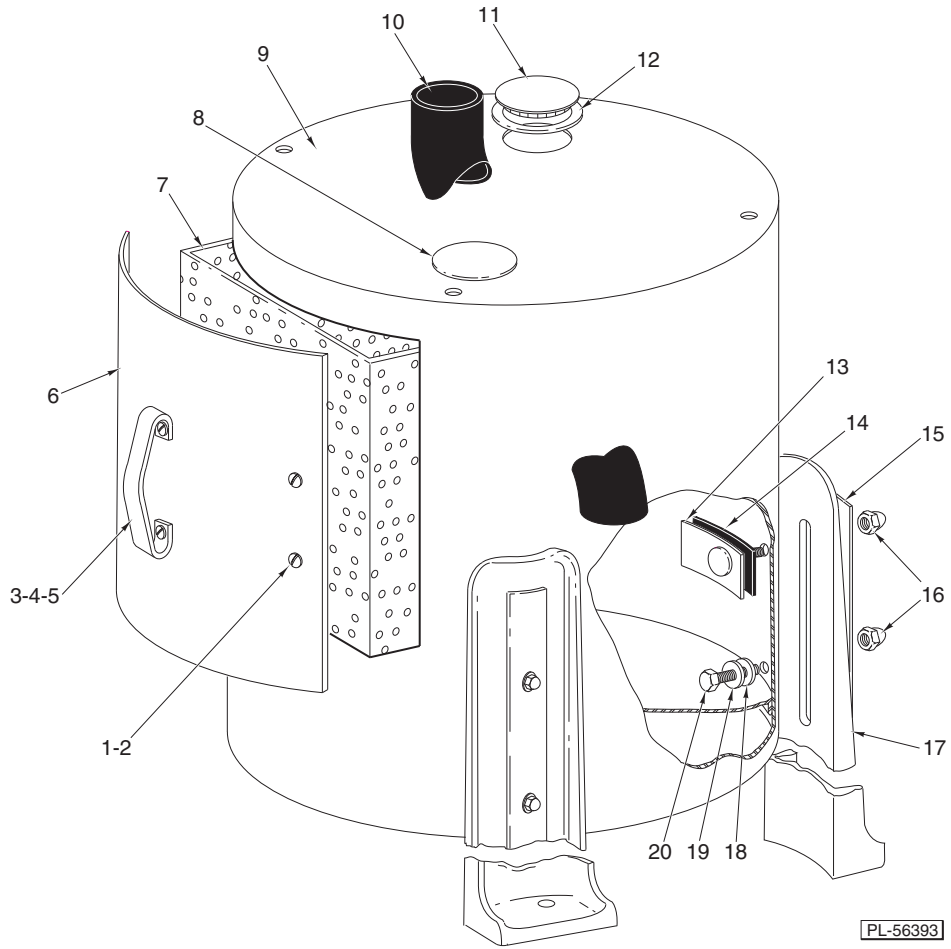
*On Machines Built Before March 7, 2006, Order 00-914431.



DRIVE UNIT

DRIVE UNIT

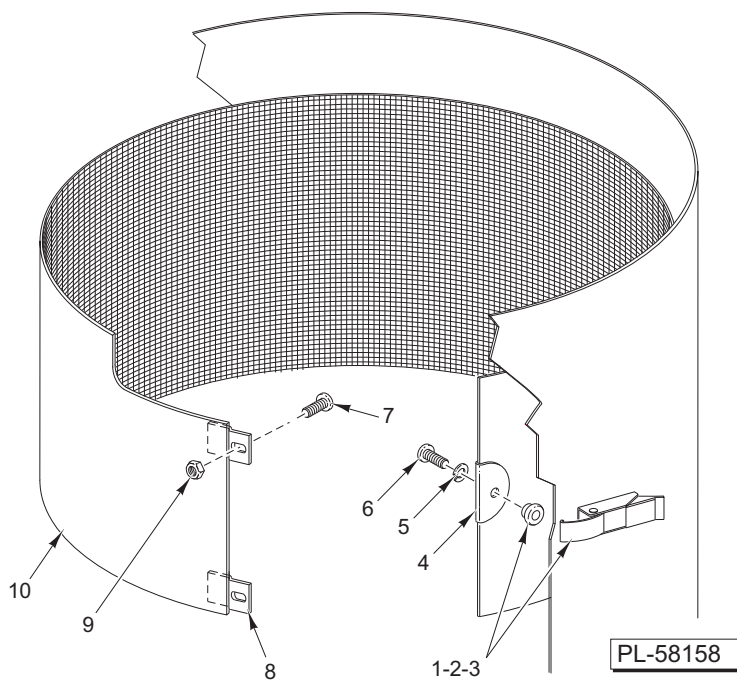
ILLUS.	PART NO.	NAME OF PART	AMT.
	PL-58159		
1	00-117105	Abrasive Wheel.....	1
2	SC-067-23	Mach. Screw $\frac{5}{16}$ -18 x $\frac{3}{8}$ Hex Hd.	1
3	00-070706-00002	Washer – Sealer	1
4	00-291252	Hub – Abrasive Wheel	1
5	00-875019	Flange – Drive	1
6	00-067500-00009	O-Ring	1
7	SC-041-12	Cap Screw $\frac{5}{16}$ -18 x $\frac{3}{8}$ Hex Hd.	3
8	WL-006-23	Lockwasher $\frac{5}{16}$ Medium	3
9	WS-004-21	Washer.....	3
10	00-063208	Plate – Retaining	1
11	00-108394-00046	Sleeve – Bearing	2
12	RR-004-18	Retaining Ring	1
13	RR-007-10	Retaining Ring	1
14	SC-037-85	Cap Screw $\frac{5}{16}$ -18 x 1 Hex Hd.....	4
15	WL-003-44	Lockwasher $\frac{5}{16}$ Medium	4
16	NS-013-14	Nut $\frac{5}{16}$ -18 Hex Fin.....	4
17	WS-017-08	Washer.....	4
18	FE-022-43	Bushing – Snap	1
19	00-290027	Motor Sub-Base.....	1
20	00-278187-00001	Motor (115/230 V., 60 Hz., 1 Ph.).....	1
21	00-278187-00002	Motor (115/220 V., 50 Hz., 1 Ph.).....	1
22	SC-007-33	Mach. Screw 8-32 x $\frac{3}{8}$ Rd. Hd.....	1
23	WL-008-07	Lockwasher #8 Internal Shakeproof	1
24	00-117542-00092	Cord & Plug Assy. (3 Cond., 125 V.) (Previous Construction)	1
25	00-117542-00093	Cord & Plug Assy. (Previous Construction).....	1
26	00-117542-00094	Cord Assy. (Previous Construction)	1
27	00-117542-00108	Cord & Plug Assy. (3 Cond., 125 V.) (Current Construction)	1
28	00-117542-00109	Cord & Plug Assy. (Current Construction).....	1
29	00-117542-00107	Cord Assy. (Current Construction)	1
30	00-078752-00003	Clamp – Cord & Plug.....	1
31	FE-002-27	Connector $\frac{1}{2}$ Cord	1
32	FE-026-33	Relief – Strain	1
33	FE-006-05	Lock Nut $\frac{1}{2}$	1
34	00-062670	Pulley – Motor.....	1
35	SC-047-26	Set Screw $\frac{1}{4}$ -28 x $\frac{3}{8}$ Soc. Hd., Cup Pt.....	1
36	WL-003-38	Lockwasher $\frac{1}{4}$ Medium.....	1
37	SC-036-14	Cap Screw $\frac{1}{4}$ -20 x $\frac{1}{2}$ Hex Hd.....	1
38	WS-003-45	Washer.....	1
39	WS-010-36	Washer.....	1
40	00-063267	V-Belt (Order in Pairs Only)	2
41	RP-002-19	Rollpin $\frac{3}{16}$ Dia. x $1\frac{3}{8}$ Lg.....	1
42	00-063207	Pulley – Driven.....	1
43	00-875580	Tightener – Belt.....	1
44	NS-032-12	Nut $\frac{5}{16}$ -18 “Flexloc”.....	1
45	WS-017-08	Washer.....	1
46	00-062370	Shaft – Main Drive	1
47	00-063260	Bearing Carrier & Pivot Shaft Assy. (Incls. Items 11 & 50).....	1
48	00-064722	Gasket – Bearing Carrier	1
49	00-067500-00018	O-Ring	1
50	00-062368	Flange – Seal.....	1
51	00-062367	Seal – Graphitar.....	1
52	RP-002-18	Rollpin $\frac{1}{4}$ Dia. x $1\frac{1}{4}$ Lg.	1
53	RP-002-20	Rollpin $\frac{5}{16}$ Dia. x $1\frac{3}{8}$ Lg.....	1
54	NS-032-35	Stop Nut $\frac{5}{16}$ -18 “Flexloc”	4
55	SC-041-15	Mach. Screw $\frac{5}{16}$ -18 x $1\frac{1}{4}$ Hex Hd.	4
56	SC-007-33	Mach. Screw 8-32 x $\frac{3}{8}$ Rd. Hd.....	1
	00-985449	Kit – Drive Unit (Incls. Items 5, 6, 11, 40, 49, 51, & 53).....	1
	00-062630	Abrasive Wheel & Hub Assy. (Incls. Items 1 thru 4, 54, & 55).....	1



**PEEL TRAP UNIT
ML-16952-Z**

**PEEL TRAP UNIT
ML-16952-Z**

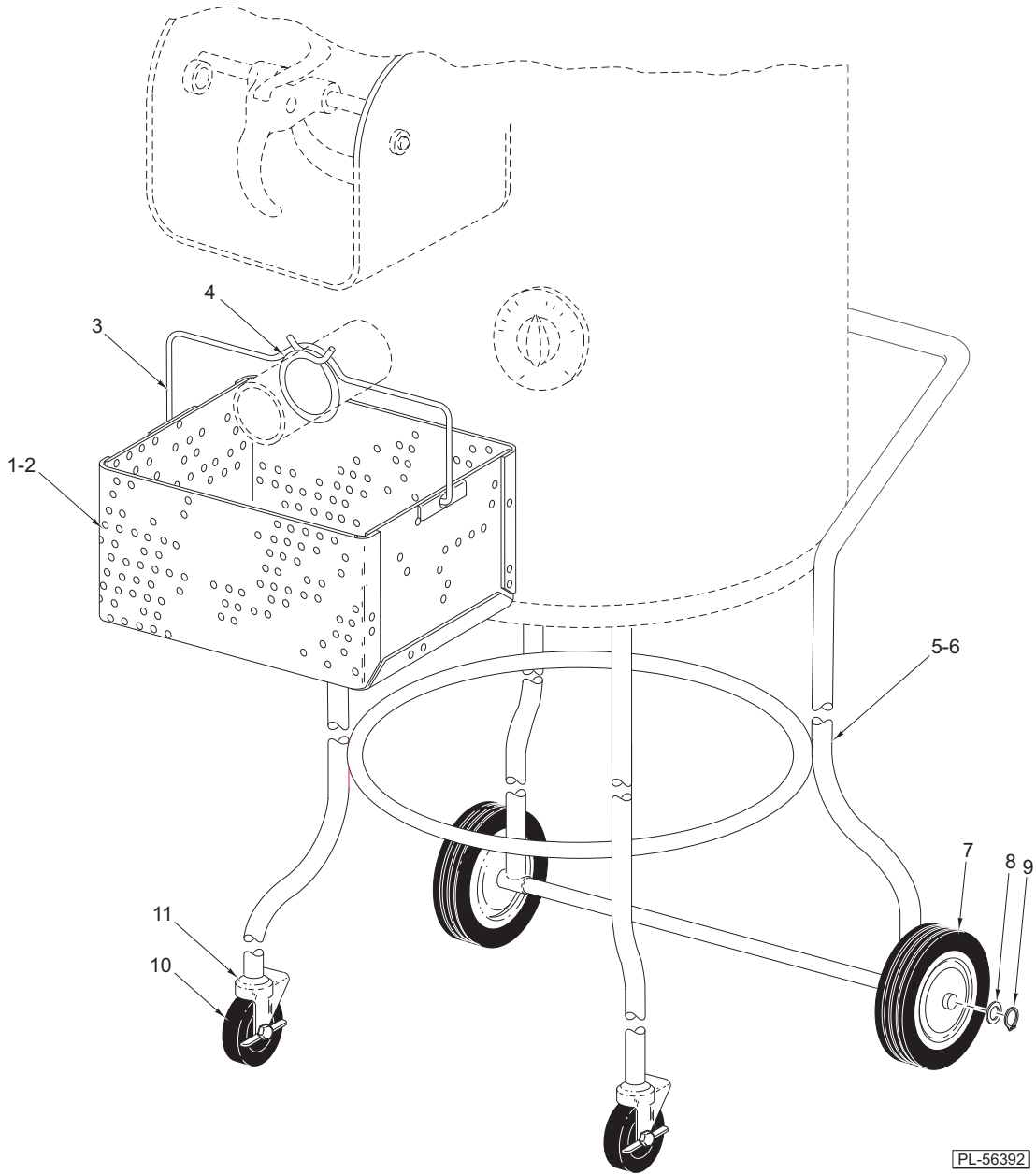
ILLUS.	PART NO.	NAME OF PART	AMT.
PL-56393			
1	SC-053-05	Mach. Screw 10-24 x 3/8 Truss Hd.	4
2	NS-031-15	Stop Nut 10-24 "Elastic".....	4
3	00-111303-00002	Handle – Door Strainer.....	1
4	SC-053-05	Mach. Screw 10-24 x 3/8 Truss Hd.	2
5	NS-031-15	Stop Nut 10-24 "Elastic".....	2
6	00-291437	Door – Strainer	1
7	00-437461	Strainer Bucket Assy.	1
8	00-064877	Grommet – Drain Hose.....	1
9	00-290404	Peel Trap Housing Assy.	1
10	00-063273	Hose – Drain (Peel Trap).....	1
11	00-291592	Plug Button	1
12	00-064953	Gasket – Plug Button.....	1
13	00-077620	Inside Leg Clamp and Bolt Assy.	3
14	00-062601-00002	Gasket – Leg Screw	3
15	00-077619	Cover – Leg Slot.....	3
16	NS-025-16	Acorn Nut 3/8-16	6
17	00-077618	Leg – Peel Trap	3
18	WS-006-13	Washer (Lead)	3
19	WS-006-44	Washer.....	3
20	SC-041-28	Cap Screw 3/8-16 x 3/4 Hex Hd.....	3
	00-437460	Strainer Bucket & Door Assy. (Incls. Items 1 thru 7).....	1
	00-290580	Leg Pack (Set of 3 Legs)	1



LINER

LINER

ILLUS.	PART NO.	NAME OF PART	AMT.
PL-58158			
1	00-479480	Latch – Keeper & Draw.....	1
2	SC-021-98	Mach. Screw 8-32 x 3/8 Phil. Rd. Hd. (SST).....	2
3	NS-031-08	Stop Nut 8-32 Hex.....	2
4	00-479473	Bracket – Liner.....	1
5	WL-006-11	Lockwasher #12 Light (SST).....	1
6	SC-066-26	Mach. Screw 12-24 x 1/2 Phil. Truss Hd. (SST).....	1
7	SC-109-62	Mach. Screw 10-24 x 3/8 Slotted Pan Hd. (SST).....	2
8	00-479475	Bracket – Liner (LH).....	2
9	NS-031-15	Stop Nut 10-24 Hex (SST).....	2
10	00-479494-00001	Liner Service Assy. (Use For Service).....	1



PORTABLE STAND AND BASKET

PORTABLE STAND AND BASKET

ILLUS.	PART NO.	NAME OF PART	AMT.
PL-56392			
1	00-290322	Basket Assy. (Peel Trap) (Incls. Items 3 & 4) (ML-19869 & ML-137600)	1
2	00-290471	Basket Assy. (Peel Trap) (Incls. Items 3 & 4) (ML-19683 & ML-137601)	1
3	00-069560	Handle – Basket	1
4	00-534651	Clamp – Hose	1
5	00-290321	Portable Stand Assy. (Incls. Items 7 thru 11) (ML-19869 & ML-137600).....	1
6	00-290472	Portable Stand Assy. (Incls. Items 7 thru 11) (ML-19683 & ML-137601).....	1
7	00-068881-00013	Wheel – Rear	2
8	WS-008-09	Washer.....	2
9	RR-010-12	Retaining Ring	2
10	00-068881-00014	Caster – Front.....	2
11	00-068881-00015	Socket – Caster	2

