



CATALOG OF REPLACEMENT PARTS

THIS CATALOG OBSOLETES AND
REPLACES F19433A, F34386,
F43080, & F43100



QUANTUM SCALE/PRINTER

SCALE/PRINTER

ML-29032	ML-29271
ML-29035	ML-29277
ML-29037	ML-29293
ML-29041	ML-29305
ML-29042	ML-29306
ML-29191	ML-29312
ML-29238	ML-29316
ML-29249	ML-29319
ML-29252	ML-29320
ML-29260	

HANGING SCALE/PRINTER

ML-29188
ML-29265

SCALE ONLY

ML-29256	30 LB Capacity
ML-29227	50 LB Capacity
ML-29258	300 LB Capacity

PRIOR MLS COVERED IN THIS MANUAL

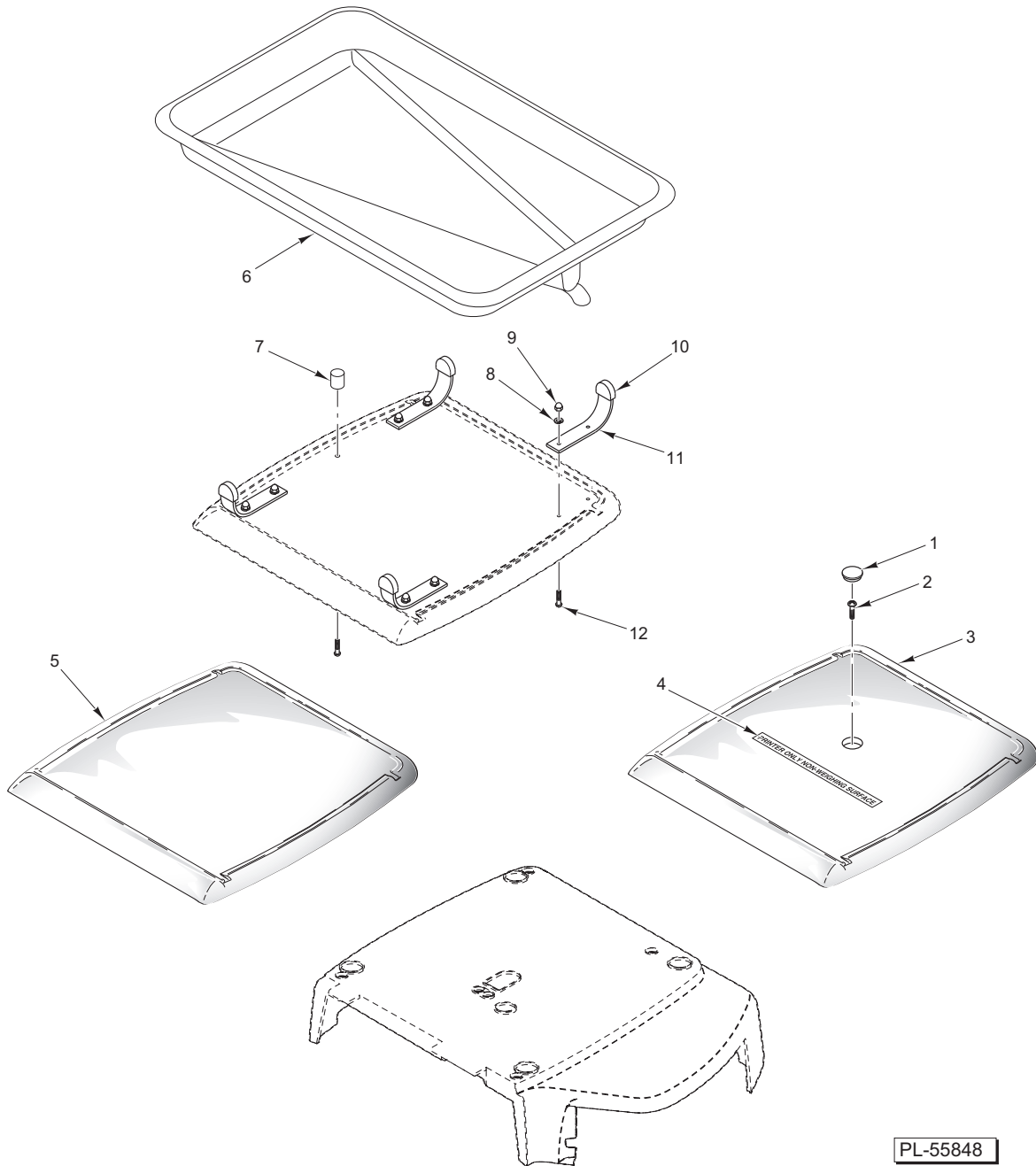
ML-28879
ML-28889
ML-29039
ML-29192

PRINTER ONLY

ML-29044	ML-29264
ML-29048	ML-29272
ML-29207	ML-29294
ML-29239	ML-29302
ML-29250	ML-29307
ML-29253	ML-29317
ML-29257	ML-29318

TABLE OF CONTENTS

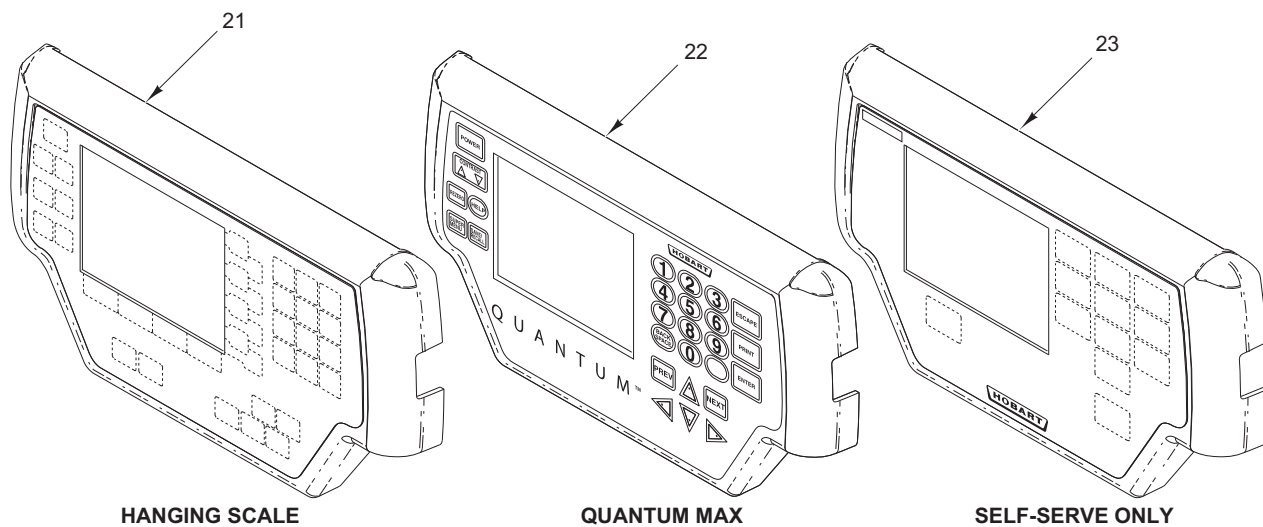
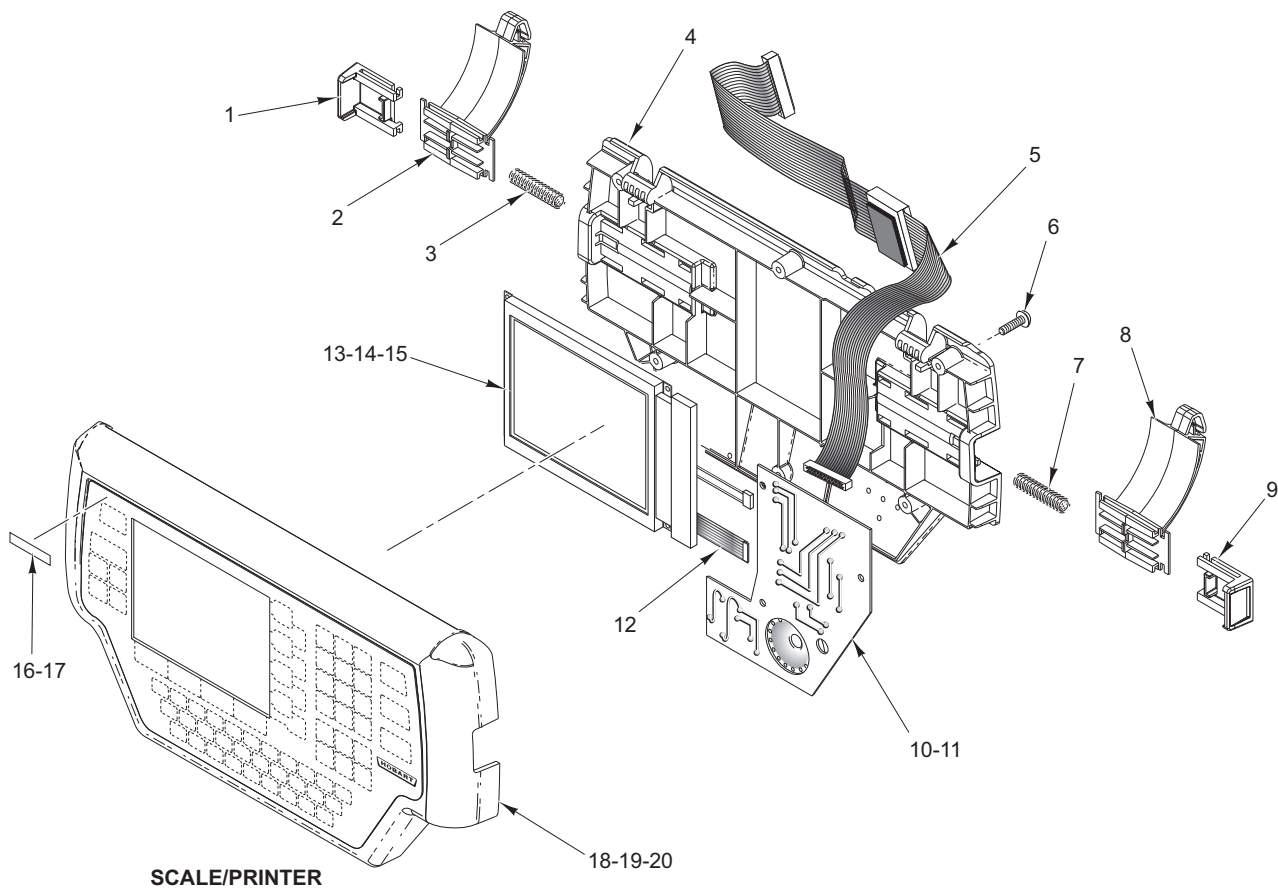
3	PLATTERS AND FISH PAN KIT
5	CONSOLE
7	BASE AND HOUSING
9	COMPONENTS
11	PRINTER
13	CASSETTE UNIT – WIDE LABEL
15	CASSETTE UNIT – NARROW LABEL
17	CASSETTE UNIT – LINERLESS
19	SCALE UNIT
21	300 LB SCALE
23	PLATFORM UNIT
25	SUPPORT UNIT
27	HOT CASE KIT
29	TCP/IP WIRELESS COMMUNICATION KIT
30	TCP/IP WIRED COMMUNICATION KIT
31	QUANTUM 3COM BRIDGE KIT
32	QUANTUM DPAC2 BRIDGE KIT
33	QUANTUM CB3000 BRIDGE KIT
35	ELEVATED DISPLAY
37	REMOTE CONSOLE UNIT
39	CONSOLE WITH SPEED KEYS
40	PAN AND ARM



PLATTERS AND FISH PAN KIT

ILLUS.	PART NO.	NAME OF PART	AMT.
PL-55848			
1	00-445214-00001	Plug – Cover	1
2	SC-018-31	Mach. Screw 8-32 x 3/8 Phil. Pan Hd.....	1
3	00-445262-00001	Cover – Printer Top (Gray) (All Printer Only and Hanging Scale Models)	1
4	00-043297	Label – Non-Weighing Surface (ML-28889)	1
5	00-043304	Platter Assy. (All Scale/Printer Models).....	1
6	00-183358	Kit – Fish Pan (Incls. Items 7 thru 12).....	1
7	00-044898	Bumper – Fish Pan	1
8	WL-006-42	Lockwasher #6 (SST)	8
9	NS-046-33	Crown Nut 6-32 (SST)	8
10	00-013999-00001	Tip – Pan Holder	4
11	00-184185	Arm Assy. (Incls. Item 10)	1
12	SC-111-31	Mach. Screw 6-32 x 5/16 Slotted Truss Hd.....	9

QUANTUM SCALE/PRINTER REPLACEMENT PARTS

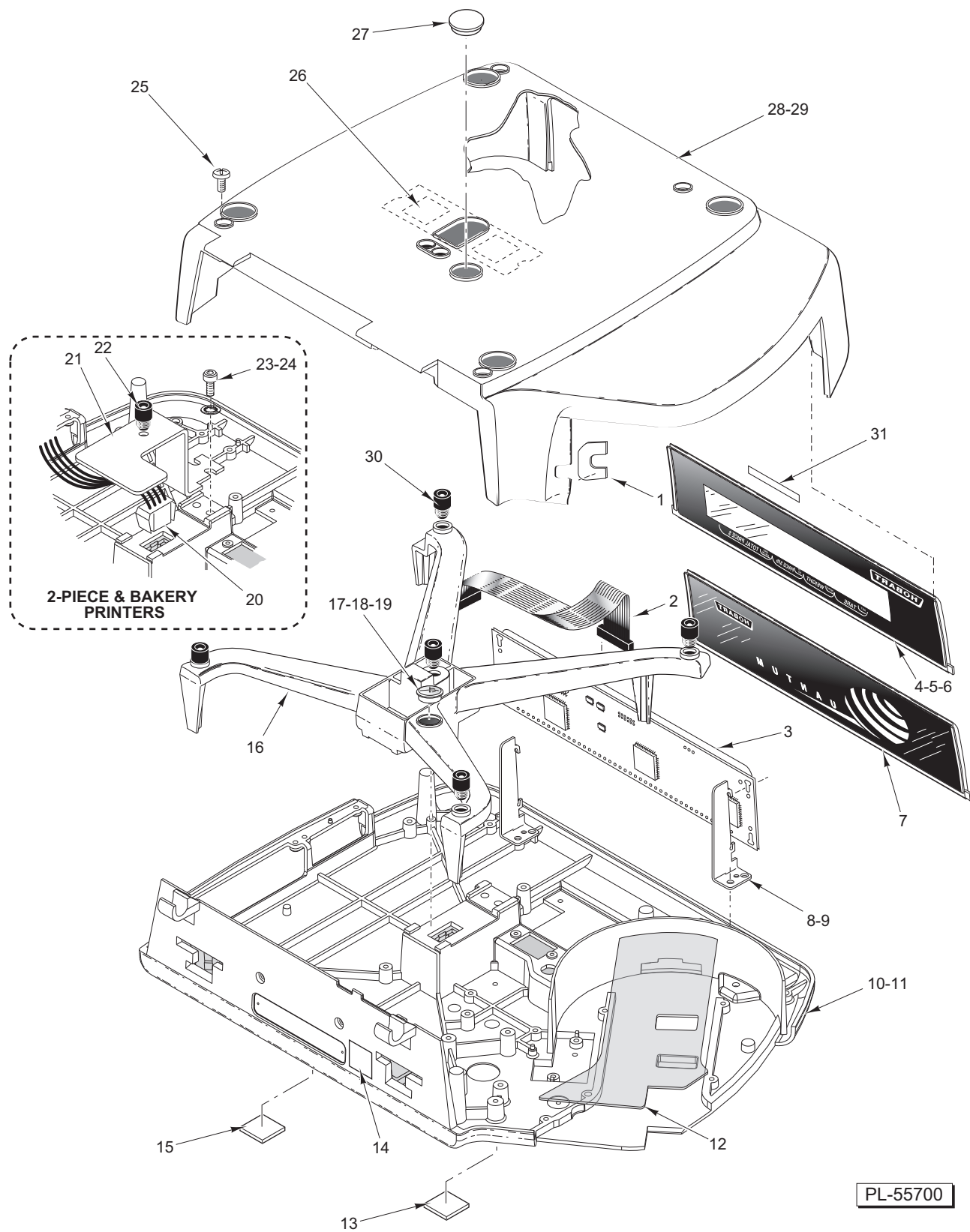


PL-55692

CONSOLE

CONSOLE

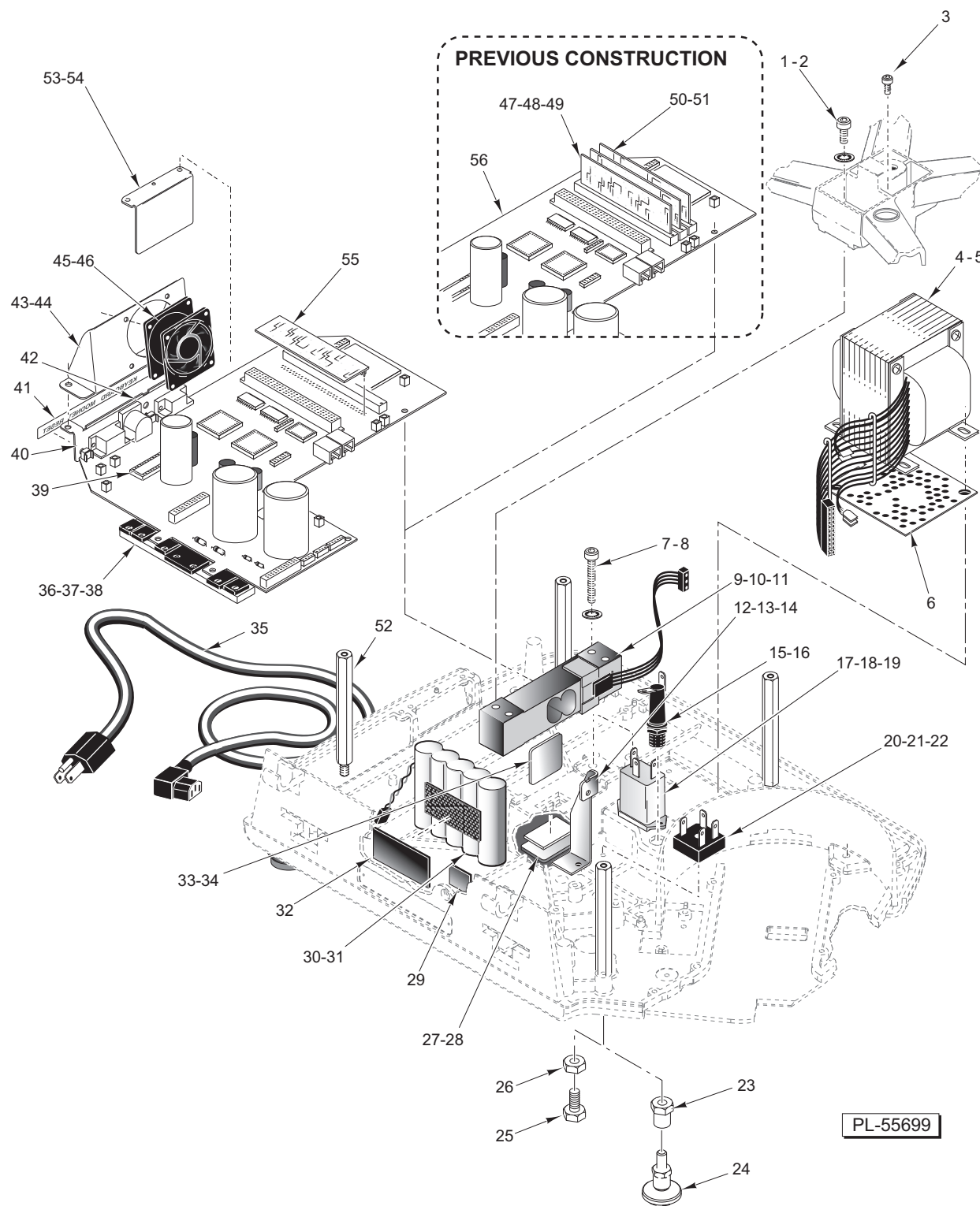
ILLUS.	PART NO.	NAME OF PART	AMT.
PL-55692			
1	00-043315	Button – Console Latch	1
2	00-043314	Arm – Console	1
3	00-043316	Spring – Latch Return	1
4	00-043312	Housing – Rear Console	1
5	00-043602	Cable – Console (26 Pos.)	1
6	SD-037-72	Self-Tapping Screw Special 6-19 x 1/2 Phil. Pan Hd., Plastite	6
7	00-043316	Spring – Latch Return	1
8	00-043314	Arm – Console	1
9	00-043315	Button – Console Latch	1
10	00-046514	Board – Console (All Models Except ML-29238 & ML-23239)	1
11	00-442355	Board – Console (ML-29238 & ML-23239)	1
12	00-046507	Cable Assy. – Display to Console Board	1
13	00-913102-00027	Kit – Display & Housing (Incls. Items 14, 15, & 19) (ML-28879 & ML-28889)	1
14	00-445187	Display Assy. LCD Graphics	1
15	SD-033-14	Self-Tapping Screw Special 4-40 x 1/4 Phil. Pan Hd., Plastite	4
16	00-048361	Label – Capacity (30 x 0.01 Lb.) (ML-29041, ML-29042, ML-29188, & ML-29265)	1
17	00-443487	Label – Capacity (50 x 0.01 Lb.) (ML-29260)	1
18	00-913102-00027	Kit – Display & Housing (Incls. Items 14, 15, & 19) (ML-28879 & ML-28889)	1
19	00-048599-00001	Housing & Keyboard Assy. (All Except ML-29039, ML-29041, ML-29042, ML-29188, ML-29238, ML-29239, ML-29264, ML-29265, ML-29302, & ML-29306)	1
20	00-442503-00003	Housing & Keyboard Assy. (Touchscreen with QWERTY Keyboard)	1
21	00-048599-00009	Housing & Keyboard Assy. – Self-Service Hanging (ML-29188 & ML-29265)	1
22	00-442503-00001	Housing & Keyboard Assy. (ML-29238, ML-29239, & ML-29264)	1
23	00-048599-00007	Housing & Keyboard Assy. – Self-Service (ML-29039, ML-29041, ML-29042, ML-29302, & ML-29306)	1
	00-043317	Window – Operator Display	1
	00-046509	Label – Display Warning	1



BASE AND HOUSING

ILLUS. PL-55700	PART NO.	NAME OF PART	AMT.
1	00-043274	Shield – Infrared	1
2	00-043601	Cable – VF Display	1
3	00-043527	Board – VF Display.....	1
4	00-043308	Screen Assy. – Customer VF Display (All VF Display Models Except ML-29260).....	1
5	00-443486	Screen Assy. – Customer VF Display (50 Lb.) (ML-29260)	1
6	00-443497	Screen Assy. – Customer VF Display (Dual Capacity)	1
7	00-044857	Panel – Filler (All Scale/Printer Models Without Display and All Printer Only Models).....	1
8	00-043342	Bracket – VFD Mounting (VF Display Models)	2
9	SD-015-40	Self-Tapping Screw 8-32 x 3/8 Phil. Pan Hd., Type TT	2
10	00-444750-00001	Base – Main (All Models Except Hanging Scales).....	1
11	00-444750-00003	Base – Main (ML-29188 & ML-29265).....	1
12	00-441701	Label – Anti-Friction	1
13	00-438131-061-1	Label – Warning (California)	1
14	00-442553	Label – Class	1
15	00-044551	Label – Communications Port.....	1
*16	00-043302	Sub Platter	1
*17	00-043112	Level	1
*18	00-043257	Tape – Level	1
19	00-441243	Cover – Bubble Level	1
20	00-044859-00001	Cable Assy. (All Printer Only Models)	1
21	00-043285	Bracket – Top Cover Mounting (ML-28889).....	1
22	00-043319	Mount – Platter (ML-28889).....	1
23	SC-062-20	Screw 1/4-20 x 3/8 Hex Hd. (ML-28889).....	2
24	WL-008-17	Lockwasher 1/4 Internal Shakeproof (ML-28889)	2
25	SC-018-31	Mach. Screw 8-32 x 3/8 Phil. Pan Hd.....	5
26	00-440726	Bracket Assy. – Cover.....	1
*27	00-445214-00001	Plug – Cover	1
*28	00-443636-00001	Housing and Bracket Assy. (Incls. Item 26)	1
29	00-443633-00001	Housing – Main (Gray).....	1
*30	00-043319	Mount – Platter	5
31	00-443424	Label – Capacity (Dual Capacity)	1
	00-443058	Kit – Base Labels (Incls. Items 14 & 15).....	1

* All Models With Printers Including Hanging Scales.

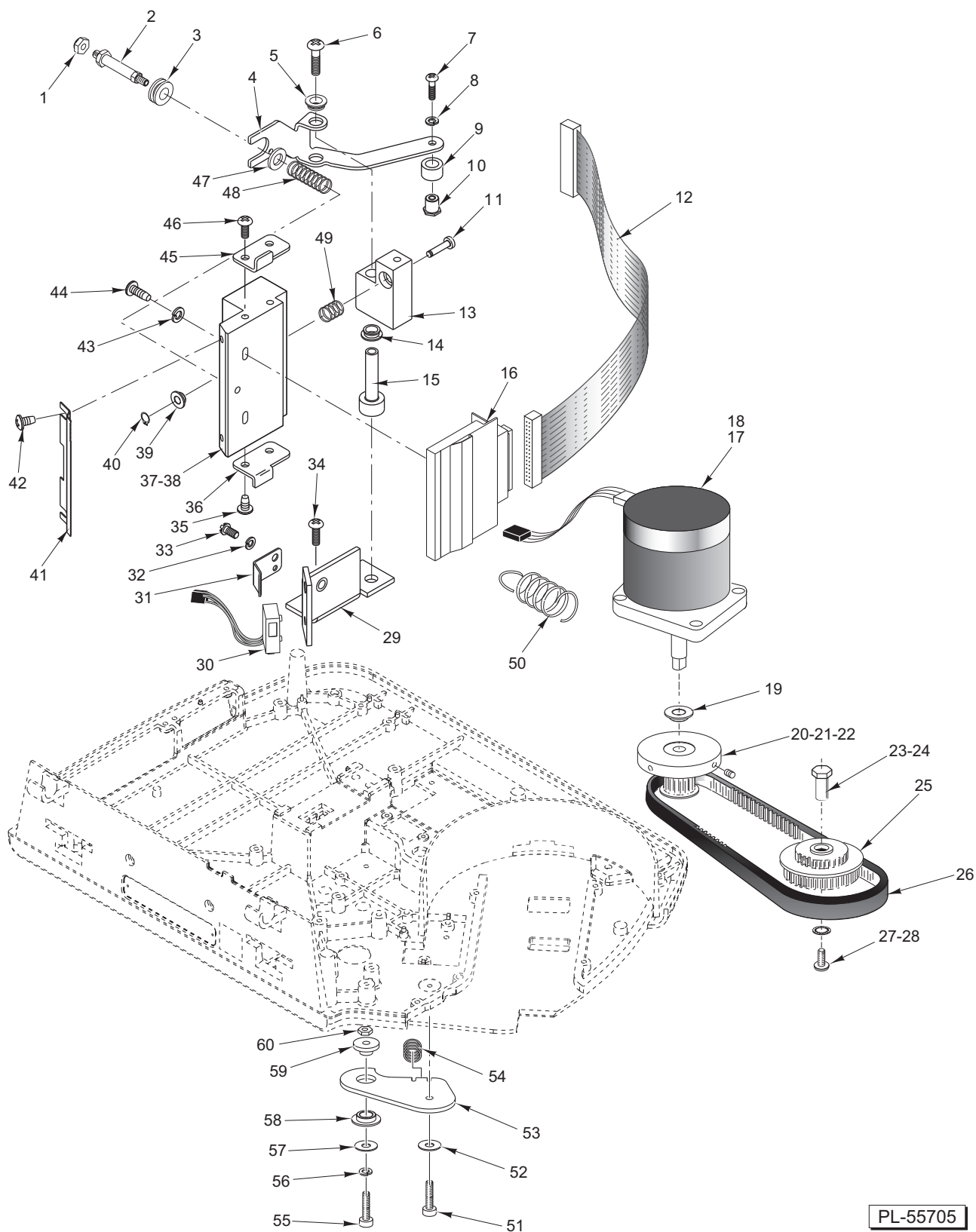


COMPONENTS

COMPONENTS

ILLUS. PL-55699	PART NO.	NAME OF PART	AMT.
1	SC-040-77	Cap Screw 1/4-20 x 5/8 Hex Socket Hd.....	2
2	WL-008-17	Lockwasher 1/4 Internal Shakeproof.....	2
3	00-043286	Cap Screw 8-32 x 1/2 Socket Hd.	AR
4	00-043605	Transformer	1
5	SD-015-40	Self-Tapping Screw 8-32 x 3/8 Phil. Pan Hd., Type TT	2
6	00-043393	Screen – Transformer	1
7	SC-120-70	Cap Screw 1/4-20 x 1 5/8 Hex Socket Hd.....	2
8	WL-008-17	Lockwasher 1/4 Internal Shakeproof.....	2
9	00-443075	Loadcell (30 Lb.) (All Scale/Printers and Hanging Scale Models Except ML-29260).....	1
10	00-044899	Loadcell Assy. (50 Lb.) (ML-26260)	1
11	00-443488	Cable – Scale (Loadcell).....	1
12	00-043275	Bracket – Wire Retainer (All Standard Scale Printer Models)	1
13	00-251199	Tie – Cable (4 In. Lg.) (All Standard Scale Printer Models).....	1
14	SD-015-40	Self-Tapping Screw 8-32 x 3/8 Phil. Pan Hd., Type TT	1
15	00-043622	Holder – Fuse	1
16	FE-022-23	Fuse (3.0 Amp.) (250 V.).....	1
17	00-044650	Filter – Line	1
18	SD-015-38	Self-Tapping Screw 6-32 x 3/8 Phil. Pan Hd., Type TT	2
19	WL-008-02	Lockwasher #6 Internal Shakeproof	2
20	00-043606	Bridge Rectifier (15 Amp.) (100 V.)	1
21	SD-015-42	Self-Tapping Screw 8-32 x 5/8 Phil. Pan Hd., Type TT	1
22	00-519504	Thermo Joint Compound (2 Oz.)	AR
23	00-440622	Lock Nut SPCL	4
24	00-443045	Foot Assy. (Incls. Item 23) (All Models Except ML-29188 & ML-29265).....	4
25	SC-036-09	Cap Screw 1/4-20 x 1 1/4.....	4
26	NS-018-01	Nut 1/4-20 Hex	4
27	00-043389	Plate – Remote Weigher (All Hanging Scale and Printer Only Models)	1
28	00-043256	Tape (All Hanging Scale and Printer Only Models).....	1
29	00-043284	Fastener – Dual Lock (Cable) (ML-28879 & ML-28889).....	1
30	00-043263	Battery Pack	1
31	00-251199	Tie – Cable (4 In. Lg.)	1
32	00-043395	Fastener – Dual Lock (Battery).....	1
33	00-043390	Plate – SM Port.....	1
34	00-043256	Tape	1
35	00-044479	Cord – Power Supply (120 V.)	1
36	00-443760	Main Board Assy. (Incls. Items 39 & 40) (Used on or After Serial Number 45-1059-300)	1
37	SD-015-40	Self-Tapping Screw 8-32 x 3/8 Phil. Pan Hd., Type TT	7
38	00-519504	Thermo Joint Compound (2 Oz.)	AR
39	00-043574-00008	PROM – Programmed	1
40	00-043519	Bracket – Main Board	1
41	00-043273	Label – Connector	1
42	00-032998	Kit – Security Seal (Does not Include Wire Seal 00-444424)	1
43	00-043392	Bracket – Fan Mounting.....	1
44	SD-015-40	Self-Tapping Screw 8-32 x 3/8 Phil. Pan Hd., Type TT	2
45	00-043632	Fan Assy.	1
46	SD-019-26	Self-Tapping Screw 8-18 x 1 1/4 Phil. Rd. Hd.....	3
47	00-445345	Kit – Static RAM (8MB).....	1
48	00-046374	Board Assy. (1MB PSRAM) (Used Before Serial Number 45-1059-300)	AR
49	00-042358	Board Assy. (2MB PSRAM) (Used Before Serial Number 45-1059-300)	AR
50	00-442490-00030	Board Assy. – Programmed R/W Flash (All Models Except ML-29293)	1
51	00-443600-00005	Board Assy. (Kroger VPN) (ML-29293).....	1
52	00-043318	Standoff (Housing Mount).....	4
53	SD-015-40	Self-Tapping Screw 8-32 x 3/8 Phil. Pan Hd., Type TT	2
54	00-043338	Bracket – ECB Blank	1
55	00-446155	Board Assy. (8MB, SRAM) (Used on or After Serial Number 45-1059-300).....	1
56	00-043521-0000R	Main Board Assy. (Incls. Items 39 & 40) (Used Before Serial Number 45-1059-300)	1
	00-512987	Adhesive – Loctite 222 (Use With Item 53)	AR

QUANTUM SCALE/PRINTER REPLACEMENT PARTS

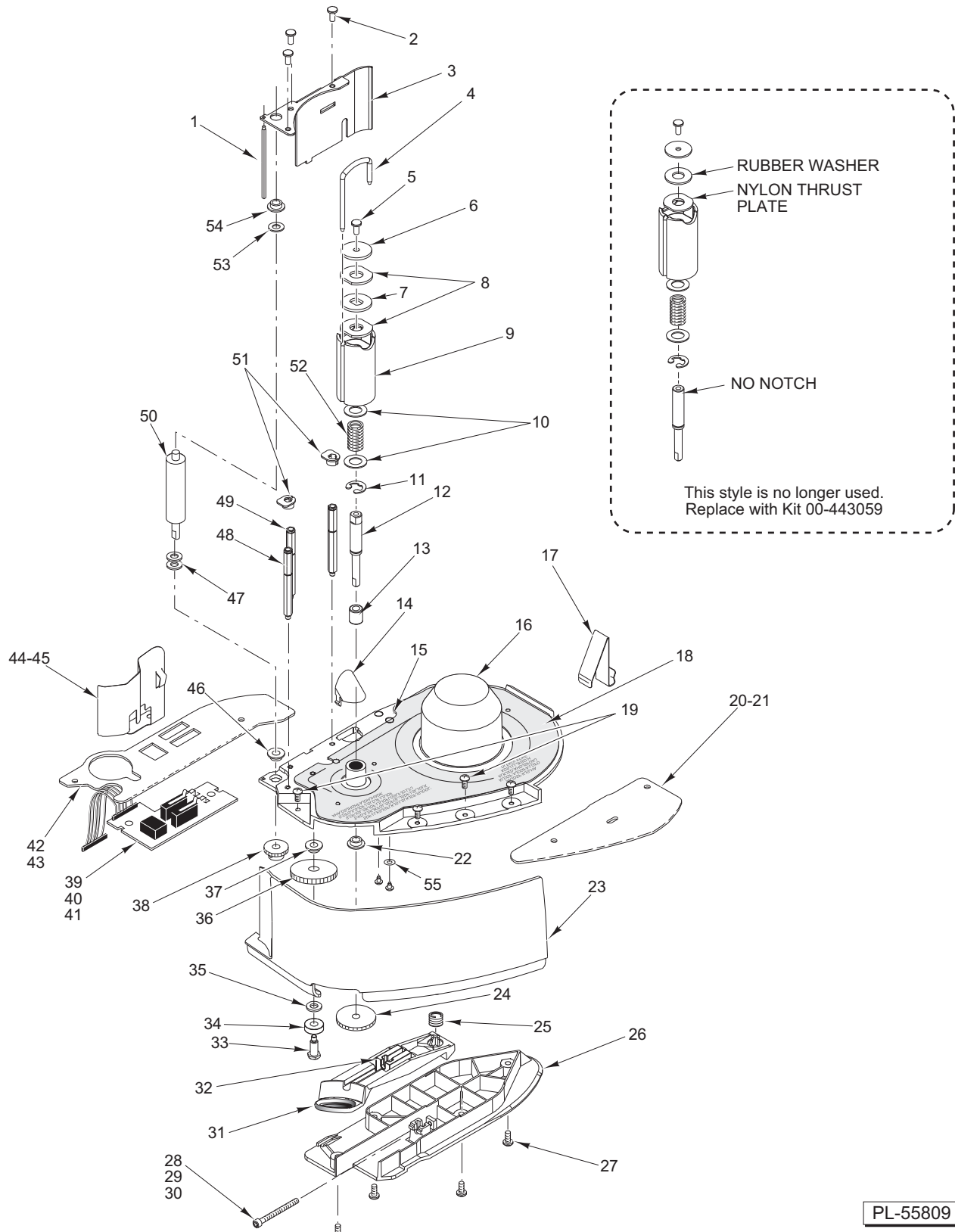


PL-55705

PRINTER

PRINTER

ILLUS.	PART NO.	NAME OF PART	AMT.
	PL-55705		
1	NS-031-49	Stop Nut 10-32 Hex (SST).....	1
2	00-043267	Stud – Adjusting.....	1
3	00-043382	Bushing – Stud.....	1
4	00-043299	Bracket –Spring Pivot.....	1
5	00-043253	Bushing – Nylon.....	1
6	SD-038-05	Self-Tapping Screw 8-32 x 1 3/4 Phil. Pan Hd., Type TT.....	1
7	SC-018-31	Mach. Screw 8-32 x 3/8 Phil. Pan Hd.....	1
8	WL-008-07	Lockwasher #8 Internal Shakeproof.....	1
9	00-043385	Roller – Pivot Arm.....	1
10	00-043386	Retainer – Roller.....	1
11	00-047424	Shaft – Printhead Pivot.....	1
12	00-043600	Cable – Printhead.....	1
13	00-047423	Pivot Block – Printhead.....	1
14	00-043253	Bushing – Nylon.....	1
15	00-047441	Sleeve – Post.....	1
16	00-049843	Printhead – Thermal.....	1
17	00-440142-00002	Motor Assy. – Stepper.....	1
18	SD-015-41	Self-Tapping Screw 8-32 x 1/2 Phil. Pan Hd., Taptite.....	3
19	00-043365	Bushing.....	2
20	00-043265	Flywheel & Pulley Assy.....	1
21	SC-047-74	Set Screw 8-32 x 1/4 Hdls. Cup Pt.....	2
22	00-512987	Adhesive – Loctite 222.....	AR
23	00-043339	Shaft – Pulley & Gear (Non-Floating).....	1
24	00-441758	Shaft – Pulley & Gear (Floating).....	1
25	00-043250	Pulley & Gear Assy. (Incls. Bushings).....	1
26	00-043335	Belt – Timing.....	1
27	SC-092-36	Cap Screw 6-32 x 1/2 Hex Socket Hd.....	1
28	WL-008-02	Lockwasher #6 Internal Shakeproof.....	1
29	00-047442	Bracket – Label Taken Mtg.....	1
30	00-043610	Sensor – Label Taken.....	1
31	00-043394	Bracket – Label Taken.....	1
32	WL-008-07	Lockwasher #8 Internal Shakeproof.....	1
33	SC-018-31	Mach. Screw 8-32 x 3/8 Phil. Pan Hd.....	1
34	SD-015-40	Self-Tapping Screw 8-32 x 3/8 Phil. Pan Hd., Type TT.....	2
35	SD-015-37	Self-Tapping Screw 6-32 x 1/4 Phil. Pan Hd., Type TT.....	2
36	00-047438	Stop – Printhead Lower.....	1
37	00-047439	Heat Sink and Bushing Assy. (Incls. Items 35, 39, 42, & 46).....	1
38	00-519504	Thermo Joint Compound (2 Oz.).....	AR
39	00-043365	Bushing.....	2
40	RR-006-22	Retaining Ring.....	1
41	00-032887	Tearbar.....	1
42	SD-015-37	Self-Tapping Screw 6-32 x 1/4 Phil. Pan Hd., Type TT.....	2
43	WL-019-58	Lockwasher #3 Internal Shakeproof.....	2
44	SC-121-76	Mach. Screw M3 x 0.5 x 12 mm Pan Hd.....	2
45	00-047437	Stop – Printhead Upper.....	1
46	SD-015-37	Self-Tapping Screw 6-32 x 1/4 Phil. Pan Hd., Type TT.....	2
47	WS-019-10	Washer.....	1
48	00-043333	Spring – Printhead.....	1
49	00-048374	Spring – Printhead Adjust.....	1
50	00-043387	Spring – Extension.....	1
51	SC-092-36	Cap Screw 6-32 x 1/2 Hex Socket Hd.....	1
52	WL-008-02	Lockwasher #6 Internal.....	1
53	00-441759	Plate – Pivot.....	1
54	00-048374	Spring – Printhead Adjusting.....	1
55	SC-111-83	Cap Screw 6-32 x 3/4 Hex Socket Hd.....	1
56	WL-008-02	Lockwasher #6 Internal.....	1
57	WS-019-41	Washer.....	1
58	00-043365	Bushing.....	1
59	00-441760	Bushing – Gear Adjusting.....	1
60	NS-031-03	Stop Nut 6-32 Hex.....	1
	00-913096-00001	Kit – Thermal Printer Cleaning.....	1

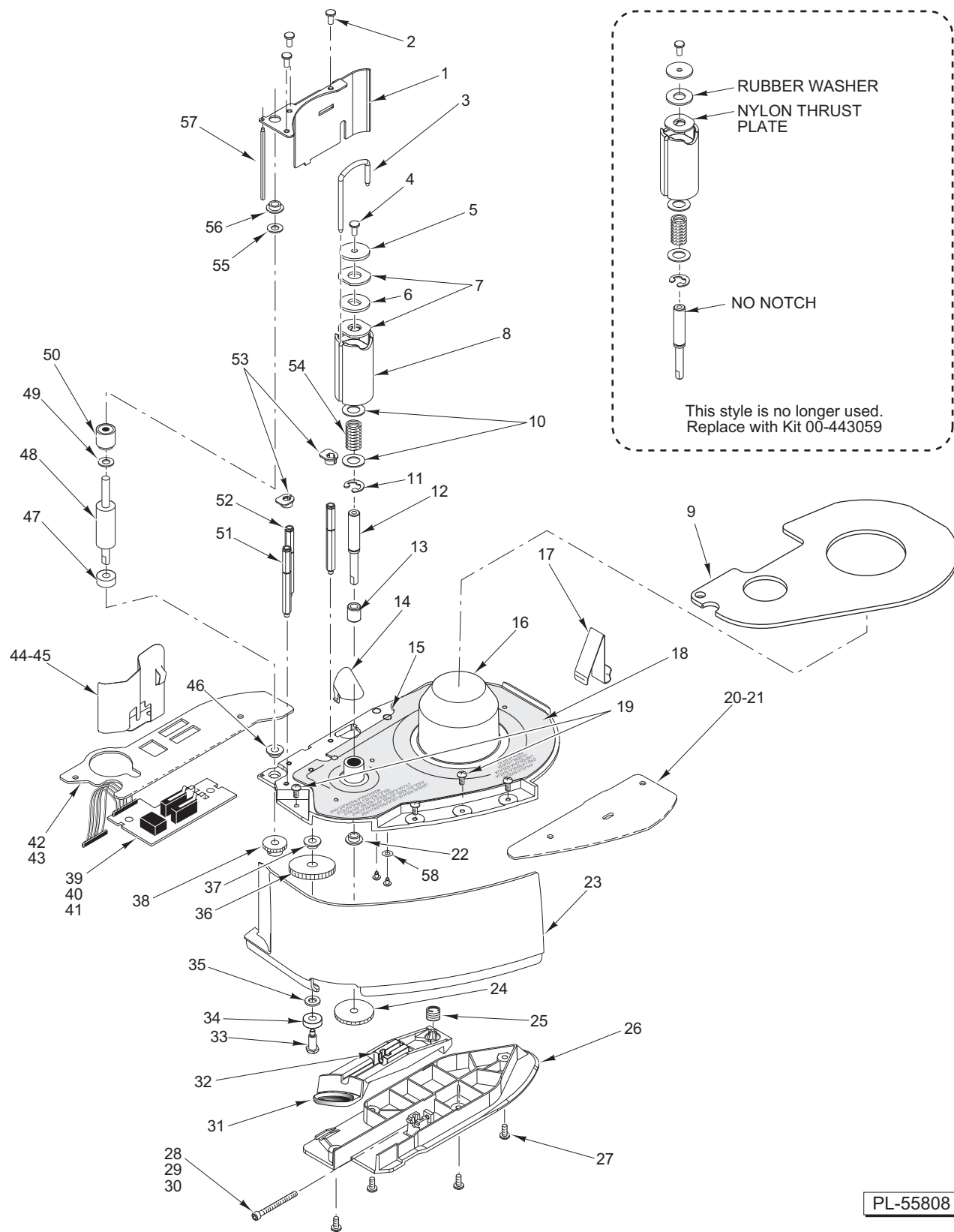


CASSETTE UNIT - WIDE LABEL

PL-55809

CASSETTE UNIT – WIDE LABEL

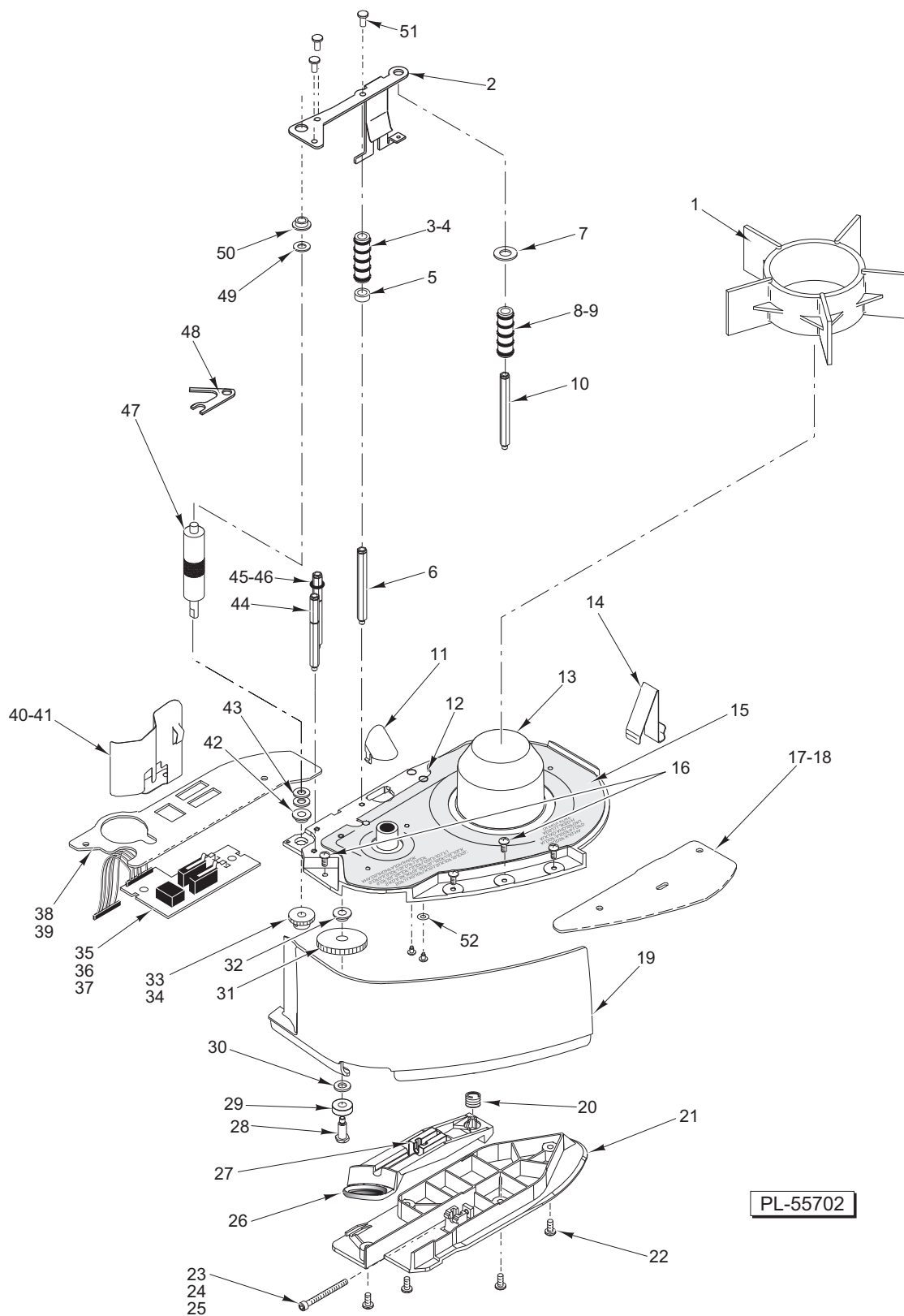
ILLUS. PL-55809	PART NO.	NAME OF PART	AMT.
1	00-043357	Peel Bar	1
2	00-048489	Mach. Screw 8-32 x 3/8 Phil. Pan Hd.	3
3	00-047392	Retaining Plate – Roller	1
4	00-044965	Key – Take-Up	1
5	SC-018-31	Mach. Screw 8-32 x 3/8 Phil. Pan Hd.	1
6	WS-030-65	Washer.....	1
7	00-442790	Washer – Special.....	1
8	00-442988	Plate – Thrust (Bronze).....	2
9	00-043375	Hub – Take-Up	1
10	WS-018-34	Washer – Shim 0.110.....	2
11	RR-009-10	Retaining Ring	1
12	00-442981	Shaft – Take-Up	1
13	00-043396	Needle Bearing	1
14	00-043367	Reflector	1
15	00-043259	Rivet – Snap (Nylon).....	1
16	00-043351	Base – Cassette	1
17	00-443735	Spring – Cassette Eject	1
18	00-043373	Label – Threading Instructions.....	1
19	SA-021-39	Screw Assy. 8-32 x 3/8 Phil. Pan Hd.	4
20	00-043343	Rail – Guide (RH)	1
21	SD-015-40	Self-Tapping Screw 8-32 x 3/8 Phil. Pan Hd., Type TT	2
22	00-043365	Bushing.....	1
23	00-443634-00001	Fascia – Cassette (Gray).....	1
24	00-043362	Gear – Take-Up (Incls. Set Screw)	1
25	00-043356	Spring – Cassette Latch	1
26	00-043355	Guide – Cassette	1
27	SD-015-40	Self-Tapping Screw 8-32 x 3/8 Phil. Pan Hd., Type TT	4
28	00-441172	Cap Screw 8-32 x 1 3/4 Socket Hd.	1
29	00-043271	Washer – Wavy.....	1
30	NS-008-25	Nut 8-32 Sq. Hd.	1
31	00-043353	Latch – Cassette	1
32	00-043354	Pivot Block – Adjust	1
33	00-043363	Shaft – Idler	1
34	00-131761	Ball Bearing – Double Shielded Radial.....	1
35	00-043269	Washer.....	1
36	00-032974	Gear – Idler (Incls. Item 37)	1
37	00-043365	Bushing.....	1
38	00-043360	Gear – Roller (SC-124-38 Included)	1
39	00-043538	Board Assy. – Sensor.....	1
40	00-044631	Insulator – Media Sensor Board	1
41	SD-015-40	Self-Tapping Screw 8-32 x 3/8 Phil. Pan Hd., Type TT	2
42	00-043270	Rail – Guide (LH)	1
43	SD-015-40	Self-Tapping Screw 8-32 x 3/8 Phil. Pan Hd., Type TT	2
44	00-046479	Spring Assy. – Label Guide.....	1
45	SD-015-40	Self-Tapping Screw 8-32 x 3/8 Phil. Pan Hd., Type TT	1
46	00-047458	Bearing – Flange	1
47	00-043269	Washer.....	2
48	00-047455	Standoff.....	1
49	00-032914	Standoff.....	2
50	00-047506	Roller – Print	1
51	00-043369	Guide – Label	2
52	00-441071	Spring – Take-Up	1
53	00-043269	Washer.....	1
54	00-043365	Bushing.....	1
55	WS-019-13	Washer.....	2
	00-043260	Cassette Assy. – Wide Label	1
	00-443059	Kit – Cassette Take-Up (Incls. Items 7, 8, 12, & 52)	1



PL-55808

CASSETTE UNIT – NARROW LABEL

ILLUS. PL-55808	PART NO.	NAME OF PART	AMT.
1	00-047392	Retaining Plate – Roller.....	1
2	00-048489	Mach. Screw 8-32 x 3/8 Phil. Pan Hd.....	3
3	00-044965	Key – Take-Up.....	1
4	SC-018-31	Mach. Screw 8-32 x 3/8 Phil. Pan Hd.....	1
5	WS-030-65	Washer.....	1
6	00-442790	Washer – Special.....	1
7	00-442988	Plate – Thrust (Bronze).....	2
8	00-043375	Hub – Take-Up.....	1
9	00-032905	Spacer – Narrow Label.....	1
10	WS-018-34	Washer – Shim 0.110.....	2
11	RR-009-10	Retaining Ring.....	1
12	00-442981	Shaft – Take-Up.....	1
13	00-043396	Needle Bearing.....	1
14	00-043367	Reflector.....	1
15	00-043259	Rivet – Snap (Nylon).....	1
16	00-043351	Base – Cassette.....	1
17	00-443735	Spring – Cassette Eject.....	1
18	00-043373	Label – Threading Instructions.....	1
19	SA-021-39	Screw Assy. 8-32 x 3/8 Phil. Pan Hd.....	4
20	00-043343	Rail – Guide (RH).....	1
21	SD-015-40	Self-Tapping Screw 8-32 x 3/8 Phil. Pan Hd., Type TT.....	2
22	00-043365	Bushing.....	1
23	00-443634-00001	Fascia – Cassette (Gray).....	1
24	00-043362	Gear – Take-Up (Incls. Set Screw).....	1
25	00-043356	Spring – Cassette Latch.....	1
26	00-043355	Guide – Cassette.....	1
27	SD-015-40	Self-Tapping Screw 8-32 x 3/8 Phil. Pan Hd., Type TT.....	4
28	00-441172	Cap Screw 8-32 x 1 3/4 Socket Hd.....	1
29	00-043271	Washer – Wavy.....	1
30	NS-008-25	Nut 8-32 Sq. Hd.....	1
31	00-043353	Latch – Cassette.....	1
32	00-043354	Pivot Block – Adjust.....	1
33	00-043363	Shaft – Idler.....	1
34	00-131761	Ball Bearing – Double Shielded Radial.....	1
35	00-043269	Washer.....	1
36	00-032974	Gear – Idler (Incls. Item 37).....	1
37	00-043365	Bushing.....	1
38	00-043360	Gear – Roller (SC-124-38 Included).....	1
39	00-043538	Board Assy. – Sensor.....	1
40	00-044631	Insulator – Media Sensor Board.....	1
41	SD-015-40	Self-Tapping Screw 8-32 x 3/8 Phil. Pan Hd., Type TT.....	2
42	00-043270	Rail – Guide (LH).....	1
43	SD-015-40	Self-Tapping Screw 8-32 x 3/8 Phil. Pan Hd., Type TT.....	2
44	00-046479	Spring Assy. – Label Guide.....	1
45	SD-015-40	Self-Tapping Screw 8-32 x 3/8 Phil. Pan Hd., Type TT.....	1
46	00-047458	Bearing – Flange.....	1
47	00-032930	Spacer – Narrow Roller Bottom.....	1
48	00-047505	Roller – Print.....	1
49	00-032915	Spacer – Narrow Roller.....	1
50	00-047504	Support – Roller.....	1
51	00-047455	Standoff.....	1
52	00-032914	Standoff.....	2
53	00-043369	Guide – Label.....	2
54	00-441071	Spring – Take-Up.....	1
55	00-043269	Washer.....	1
56	00-043365	Bushing.....	1
57	00-043357	Peel Bar.....	1
58	WS-019-13	Washer.....	2
	00-044866	Cassette Assy – Narrow Label.....	1
	00-443059	Kit – Cassette Take Up (Incls. Items 6, 7, 12, & 54).....	1

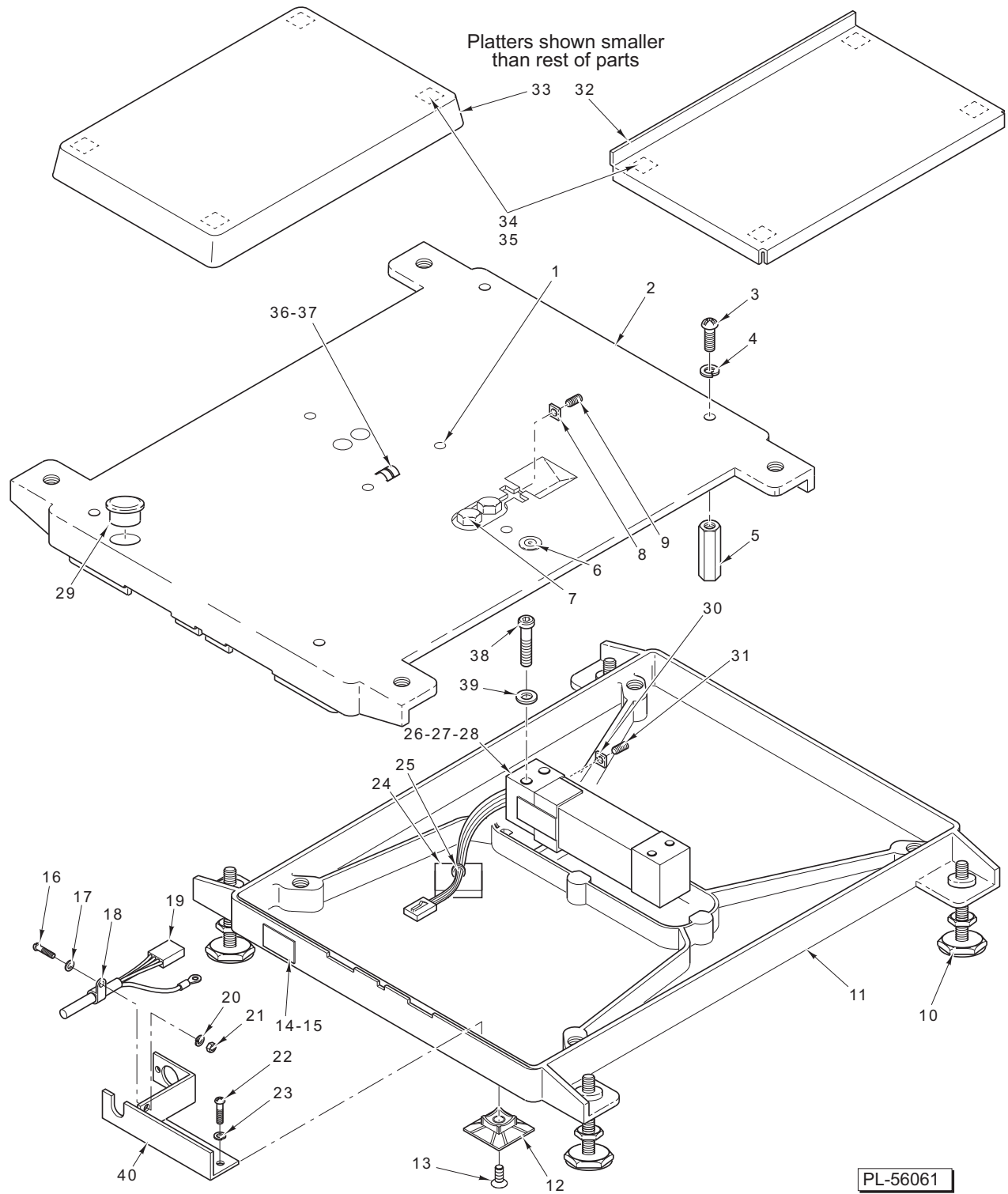


PL-55702

CASSETTE UNIT – LINERLESS

CASSETTE UNIT – LINERLESS

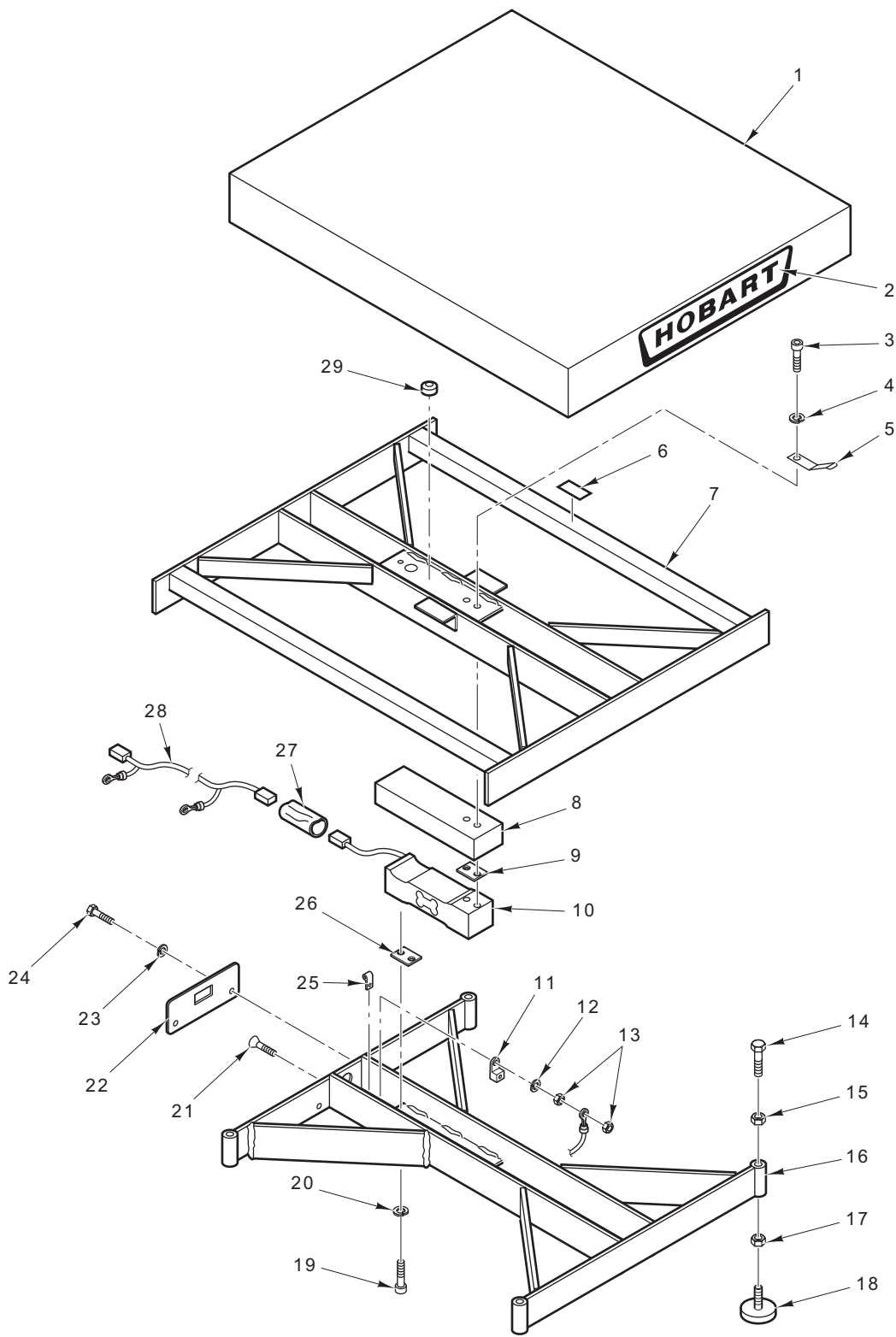
ILLUS. PL-55702	PART NO.	NAME OF PART	AMT.
1	00-044746	Support – Label Roll	1
2	00-048329	Retaining Plate – Roller	1
3	00-046096	O-Ring (Large).....	5
4	00-046097	Roller – Label Guide	1
5	00-046201	Spacer	1
6	00-032914	Standoff.....	1
7	00-044944	Washer.....	1
8	00-046097	Roller – Label Guide	1
9	00-046096	O-Ring (Large).....	5
10	00-044766	Shaft – Roller	1
11	00-043367	Reflector	1
12	00-043259	Rivet – Snap (Nylon).....	1
13	00-043351	Base – Cassette	1
14	00-443735	Spring – Cassette Eject	1
15	00-046094	Label –Threading Instruction	1
16	SA-021-39	Screw Assy. 8-32 x 3/8 Phil. Pan Hd.	1
17	00-043343	Rail – Guide (RH)	1
18	SD-015-40	Self-Tapping Screw 8-32 x 3/8 Phil. Pan Hd., Type TT	2
19	00-443634-00001	Fascia – Cassette (Gray).....	1
20	00-043356	Spring – Cassette Latch	1
21	00-043355	Guide – Cassette	1
22	SD-015-40	Self-Tapping Screw 8-32 x 3/8 Phil. Pan Hd., Type TT	4
23	00-441172	Cap Screw 8-32 x 1 3/4 Hex Socket Hd.	1
24	00-043271	Washer – Wavy.....	1
25	NS-008-25	Nut 8-32 Sq. Hd.	1
26	00-043353	Latch – Cassette.....	1
27	00-043354	Pivot Block – Adjust	1
28	00-043363	Shaft – Idler	1
29	00-131761	Ball Bearing – Double Shielded Radial.....	1
30	00-043269	Washer.....	1
31	00-032974	Gear – Idler (Incls. Item 32)	1
32	00-043365	Bushing.....	1
33	00-049001	Gear – Roller (Incls. Item 34).....	1
34	SC-124-38	Set Screw 6-32 x 3/16 Hex Hdls., Cup Pt.	1
35	00-043538	Board Assy. – Sensor.....	1
36	00-044631	Insulator – Media Sensor Board	1
37	SD-015-40	Self-Tapping Screw 8-32 x 3/8 Phil. Pan Hd., Type TT	2
38	00-043270	Rail – Guide (LH)	1
39	SD-015-40	Self-Tapping Screw 8-32 x 3/8 Phil. Pan Hd., Type TT	2
40	00-046479	Spring Assy. – Label Guide.....	1
41	SD-015-40	Self-Tapping Screw 8-32 x 3/8 Phil. Pan Hd., Type TT	1
42	00-047458	Bearing – Flange	1
43	00-043269	Washer.....	2
44	00-047455	Standoff.....	1
45	00-032914	Standoff.....	1
46	00-048484	O-Ring (Small).....	3
47	00-049333	Roller – Print	1
48	00-046476	Deflector – Label.....	1
49	00-043269	Washer.....	1
50	00-043365	Bushing.....	1
51	00-048489	Mach. Screw 8-32 x 3/8 Phil. Pan Hd.....	3
52	WS-019-13	Washer.....	2



SCALE UNIT

SCALE UNIT

ILLUS.	PART NO.	NAME OF PART	AMT.
PL-56061			
1	SC-123-20	Set Screw 10-32 x 3/8 Socket Hd.....	2
2	00-041559	Support – Platter.....	1
3	SC-113-08	Mach. Screw 10-32 x 1/2 Pan Hd.....	4
4	WL-004-40	Lockwasher #10.....	4
5	00-441780	Stop – Load Cell.....	4
6	00-043112	Level – Spirit.....	1
7	SC-110-12	Cap Screw 1/4-20 x 5/8 Hex Hd.....	2
8	NS-046-58	Nut 10-32 Square.....	1
9	SC-123-20	Set Screw 10-32 x 3/8 Socket Hd.....	1
10	00-093160	Foot – Leveling Screw.....	4
11	00-042604	Base Assy.....	1
12	00-446051	Holder – Tie-Down.....	1
13	SC-022-07	Mach. Screw 8-32 x 1/2 Slotted Flat Hd.....	1
14	00-442984	Label – Capacity (ML-29227).....	1
15	00-442475	Label – Capacity (ML-29256).....	1
16	SC-018-31	Mach. Screw 8-32 x 3/8 Phil. Pan Hd.....	1
17	WS-019-41	Washer.....	1
18	00-253363	Clamp.....	1
19	00-183634	Cable – Scale.....	1
20	WL-003-12	Lockwasher #8 Medium.....	1
21	NS-009-12	Nut 8-32 Hex.....	1
22	SC-018-31	Mach. Screw 8-32 x 3/8 Phil. Pan Hd.....	2
23	WL-003-12	Lockwasher #8 Medium.....	2
24	00-255503	Mount – Cable Tie.....	1
25	00-251199	Tie – Cable (4" Long).....	1
26	00-443075	Load Cell – Multiple Range (15 kg) (ML-29256).....	1
27	00-044899	Load Cell – Multiple Range (30 kg) (ML-29227).....	1
28	00-441656	Cable – Scale (30 kg) (ML-29227).....	1
29	00-041562	Plug – Transparent 1/2.....	1
30	NS-046-58	Nut 10-32 Square.....	1
31	SC-123-20	Set Screw 10-32 x 3/8 Socket Hd.....	1
32	00-043813	Platter (Incls. Items 34 & 35).....	1
33	00-043812	Platter (Incls. Items 34 & 35).....	1
34	00-258959	Fastener – Dual Lock.....	4
35	00-258958	Fastener – Dual Lock.....	4
36	00-184929	Contact – Compression Spring (Qty. of 8).....	AR
37	00-259515	Contact – Compression Spring (Qty. of 64).....	AR
38	SC-120-70	Cap Screw 1/4-20 x 1 5/8 Socket Hd.....	2
39	WL-003-39	Lockwasher 1/4 Light.....	2
40	00-441657	Clamp – Cable.....	1



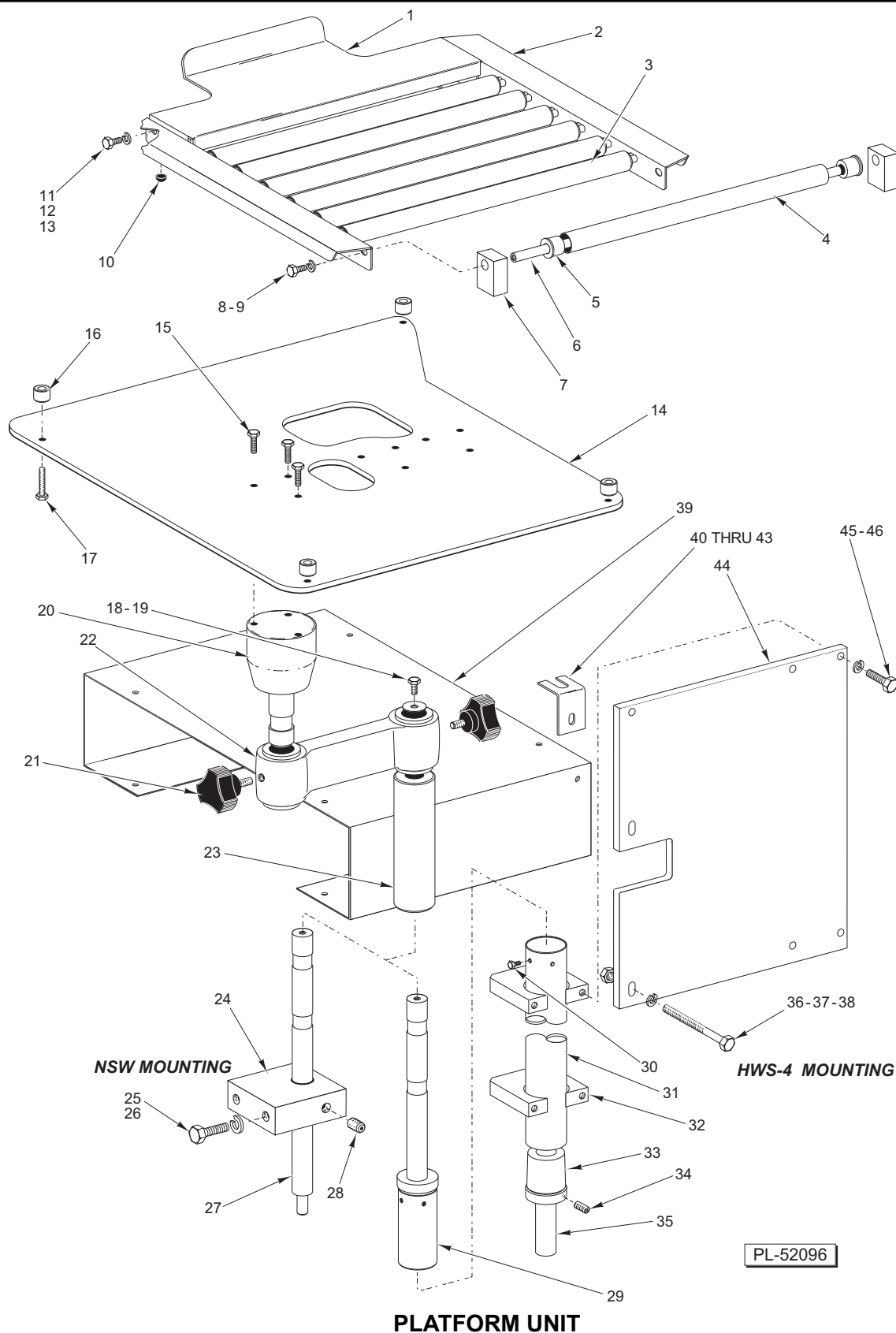
PL-57723

300 LB SCALE

300 LB SCALE

ILLUS. PL-57723	PART NO.	NAME OF PART	AMT.
1	00-443470-00013	Tray – Commodity.....	1
2	00-443074	Logo – Hobart.....	1
3	00-443470-00006	Cap Screw M10 x 1.5 x 25mm Hex Socket Hd.....	2
4	00-443470-00023	Lockwasher M10 Helical.....	2
5	00-443470-00025	Spring – Grounding.....	1
6	00-443470-00019	Gasket – Foam.....	AR
7	00-443470-00001	Bridge – Weigh.....	1
8	00-443470-00024	Cover – Load Cell.....	1
9	00-443470-00004	Spacer – Load Cell.....	1
10	00-443470-00003	Load Cell Assy.....	1
11	00-443470-00009	Lug – Ground.....	1
12	00-443470-00011	Lockwasher #11 Helical.....	1
13	00-443470-00015	Nut 10-32 Hex.....	2
14	00-443470-00008	Bolt 3/8-16 x 1 1/2 Lg.....	4
15	00-443470-00007	Jam Nut 3/8-16 Hex.....	4
16	00-443470-00002	Base.....	1
17	00-443470-00007	Jam Nut 3/8-16 Hex.....	4
18	00-443470-00005	Foot – Adjustable.....	4
19	00-443470-00006	Cap Screw M10 x 1.5 x 25mm Hex Socket Hd.....	2
20	00-443470-00023	Lockwasher M10 Helical.....	2
21	00-443470-00010	Cap Screw 10-32 x 1 Slotted Flat Hd.....	1
22	00-443470-00020	Guard – Splash.....	1
23	00-443470-00021	Lockwasher 1/4 Helical.....	2
24	00-443470-00022	Bolt 1/4-20 x 3/4 Hex Hd.....	2
25	00-253363	Clip – Cable.....	1
26	00-443470-00004	Spacer – Load Cell.....	1
27	00-440158-00003	Boot.....	1
28	00-183634	Cable – Scale.....	1
29	00-443470-00016	Level – Bubble.....	1

QUANTUM SCALE/PRINTER REPLACEMENT PARTS

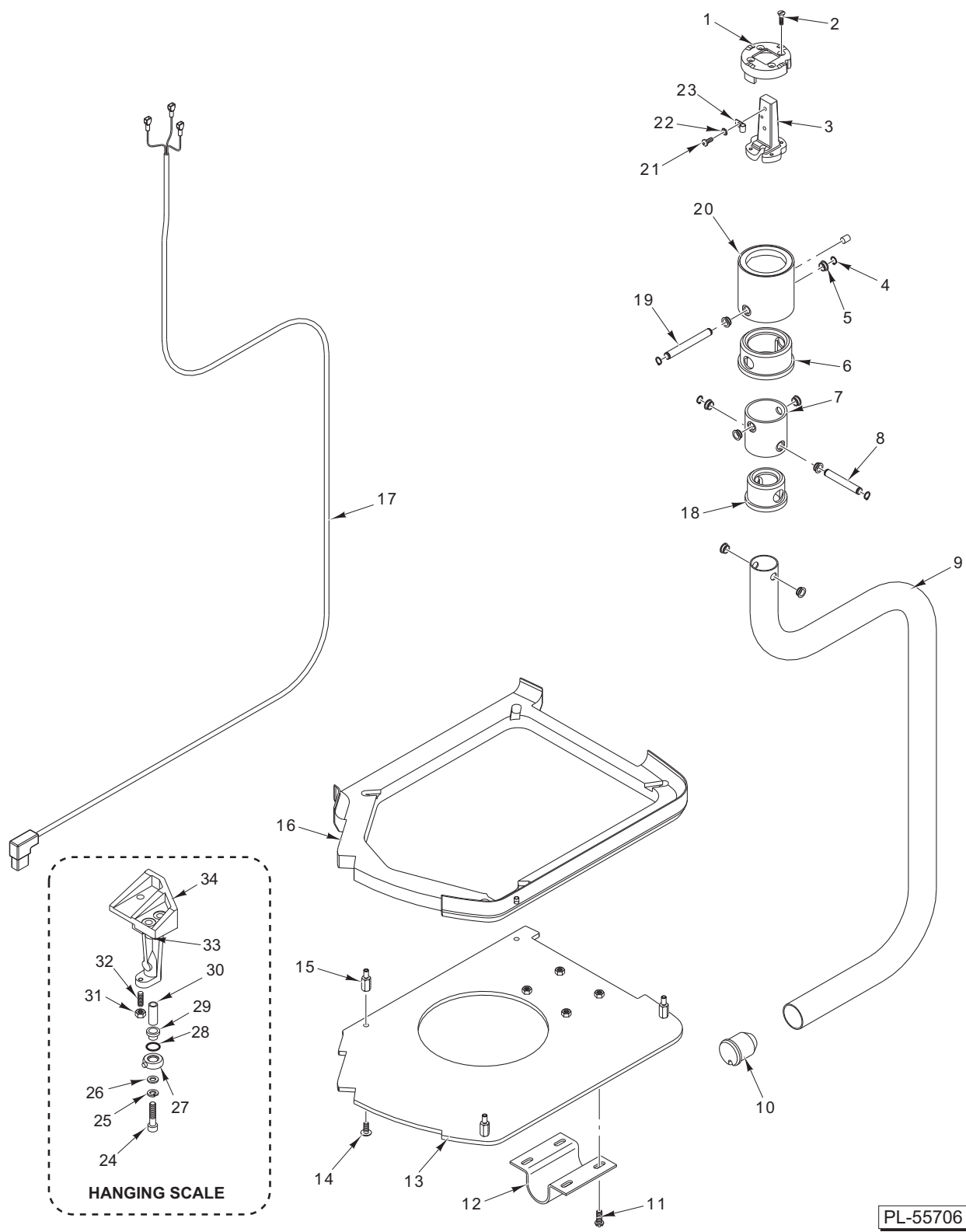


PLATFORM UNIT

ILLUS. PL-52096	PART NO.	NAME OF PART	AMT.
1	00-175928	Bracket – Platform Stop.....	1
2	00-175926	Frame – Platform.....	2
3	00-445040	Roller Assy.....	6
4	00-175927	Tube – Roller.....	1
5	00-175924	Bushing.....	2
6	00-175925	Shaft – Platform.....	1
7	00-175923	Pivot – Platform Support.....	2
8	SC-118-20	Cap Screw 1/4-20 x 1/2 Hex Hd.....	2
9	WL-003-38	Lockwasher 1/4 Medium.....	2
10	00-254206	Foot.....	2
11	SC-118-20	Cap Screw 1/4-20 x 1/2 Hex Hd.....	4
12	WL-003-38	Lockwasher 1/4 Medium.....	4
13	NS-013-02	Nut 1/4-20 Hex.....	4
14	00-044821	Plate – Printer Mount.....	1
15	SC-121-61	Mach. Screw 1/4-20 x 5/8 Hex Washer Hd. Whiz-Lock.....	3
16	00-445471	Spacer.....	4
17	SC-121-62	Mach. Screw 1/4-20 x 1 Hex Washer Hd.....	4
18	SC-100-08	Mach. Screw Special 1/4-20 x 3/8 Hex Hd. Whiz-Lock.....	1
19	WS-003-45	Washer.....	1
20	00-044829	Pivot Assy. – Printer.....	1
21	00-183538	Knob – Film Centering.....	2
22	00-440631	Arm Assy. – Printer Pivot.....	1
23	00-043757	Spacer.....	1
*24	00-175891	Block – Printer Pivot.....	1
*25	SC-118-11	Cap Screw 3/8-16 x 7/8 Hex Hd.....	2
*26	WL-004-06	Lockwasher 3/8 Medium.....	2
*27	00-049406	Shaft.....	1
*28	SC-047-41	Set Screw 3/8-16 x 3/8 Hex Hdls., Cup Pt.....	1
**29	00-043449	Post – Printer Pivot Support.....	1
**30	SC-116-95	Mach. Screw 8-32 x 3/8 Hex Hd.....	3
**31	00-043433	Column.....	1
**32	00-254866	Block – Post.....	2
**33	00-043652	Bushing – Leg.....	1
**34	SC-047-72	Set Screw 1/4-20 x 3/8 Hex Hdls. Cup Pt.....	2
**35	00-043653	Leg.....	1
**36	SC-118-57	Cap Screw 1/4-20 x 2 1/2 Hex Hd.....	2
**37	WL-003-38	Lockwasher 1/4 Medium.....	2
**38	NS-013-02	Nut 1/4-20 Hex.....	2
**39	00-048831	Bracket – Scale Mounting.....	1
**40	00-183648	Clamp.....	2
**41	SC-008-10	Mach. Screw 10-24 x 1/2 Rd. Hd. Slotted.....	6
**42	WL-008-13	Lockwasher #10 Internal Shakeproof.....	6
**43	NS-009-22	Nut 10-24 Hex.....	6
**44	00-043651	Plate – Post Mounting.....	1
**45	SC-118-19	Cap Screw 1/4-20 x 3/4 Hex Hd.....	4
**46	WL-003-38	Lockwasher 1/4 Medium.....	4
	00-183915	Platform Assy. (Incls. Items 1 thru 13).....	1

*NSW Mounting.

**HWS-4 Wrap Station Mounting.

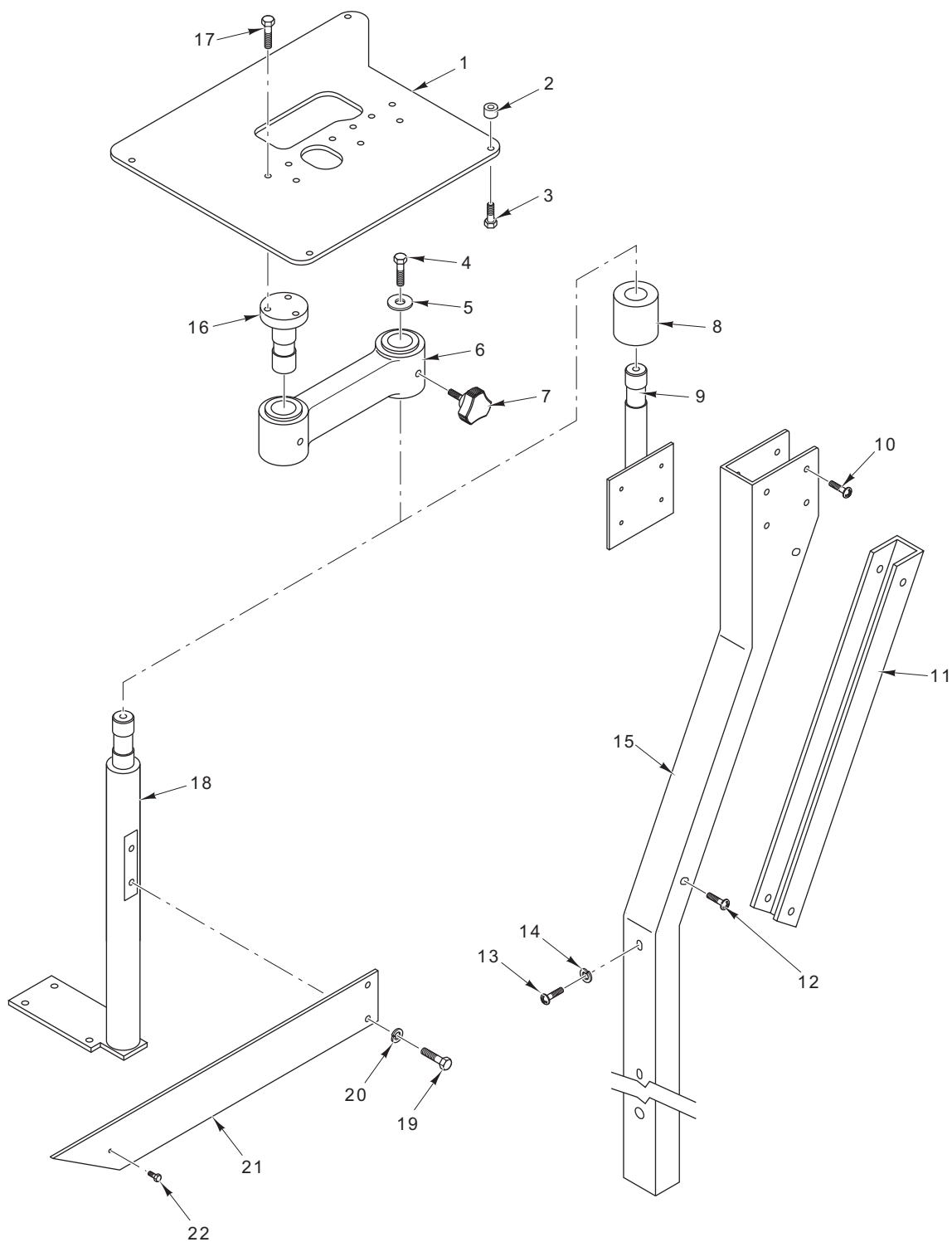


PL-55706

SUPPORT UNIT

SUPPORT UNIT

ILLUS.	PART NO.	NAME OF PART	AMT.
	PL-55706		
1	00-440668	Detent – Lower	1
2	SC-119-95	Mach. Screw 10-24 x 1/2 Phil. Flat Hd.	4
3	00-440667	Detent – Support.....	1
4	RR-006-21	Retaining Ring	4
5	00-041488	Bearing – Nyliner	8
6	00-440185	Cap – Upper Tube	1
7	00-440252	Tube – Lower Hanger.....	1
8	00-440253	Shaft – Lower Tube.....	1
9	00-440160	Support – Tubing	1
10	00-440933	Plug – Tube.....	1
11	SC-053-42	Mach. Screw 1/4-20 x 5/8 Slotted Truss Hd.	4
12	00-440161	Strap – Support Tube.....	1
13	00-440678	Base Plate	1
14	SC-053-42	Mach. Screw 1/4-20 x 5/8 Slotted Truss Hd.	4
15	00-440188	Gasket – Spacer	4
16	00-445273-00001	Gasket – Base	1
17	00-440705	Cord Assy. – Power.....	1
18	00-440184	Cap – Support Tube.....	1
19	00-440257	Shaft – Upper Tube.....	1
20	00-440256	Tube Assy. – Upper.....	1
21	SC-123-76	Mach. Screw 10-24 x 1/2 Phil. Pan Hd.	1
22	WL-014-07	Lockwasher #10 External	1
23	00-030695	Clip.....	1
24	SC-120-70	Cap Screw 1/4-20 x 1 5/8 Hex Socket Hd.....	1
25	WL-006-17	Lockwasher 1/4 (SST).....	1
26	WS-022-01	Washer.....	1
27	00-440135	Ball – Pivot.....	1
28	00-440194	O-Ring	1
29	00-440186	Spacer – Ball Pivot	1
30	00-440187	Spacer	1
31	NS-009-12	Nut 8-32 Hex.....	1
32	SC-110-42	Set Screw 8-32 x 1/2 Slotted Hdls., Cup Pt.....	1
33	00-043286	Screw – Overload	1
34	00-440094	Platter – Support (ML-29188 & ML-29265).....	1

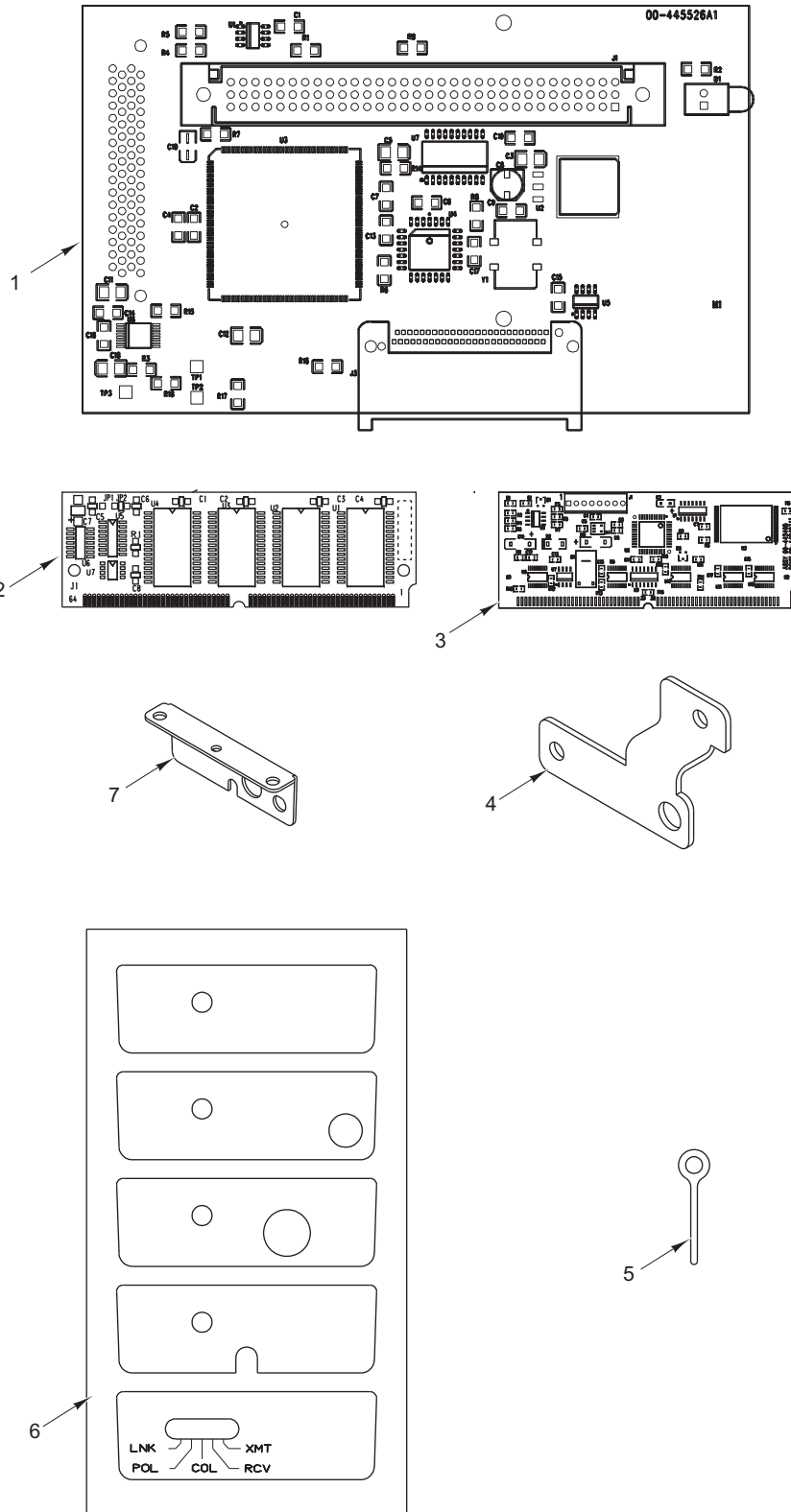


PL-55854

HOT CASE KIT

HOT CASE KIT

ILLUS. PL-55854	PART NO.	NAME OF PART	AMT.
1	00-044821	Plate – Printer Mount.....	1
2	00-445471	Spacer – Printer Mounting.....	4
3	SC-121-62	Mach. Screw 1/4-20 x 1 Special Hex Hd.....	4
4	SC-100-08	Mach. Screw 1/4-20 x 3/8 Special Hex Hd.....	1
5	WS-003-45	Washer.....	1
6	00-440631	Arm – Printer Pivot.....	1
7	00-183538	Knob.....	2
8	00-440513	Spacer – Pivot Arm.....	1
9	00-440512	Block – Pivot.....	1
10	SC-113-52	Mach. Screw 10-24 x 1/2 Special Phil. Truss Hd.....	4
11	00-440514	Channel – Mounting.....	1
12	SC-113-52	Mach. Screw 10-24 x 1/2 Special Phil. Truss Hd.....	10
13	SC-111-29	Mach. Screw 10-24 x 1 1/2 Special Phil. Pan Hd.....	2
14	WL-006-07	Lockwasher #10.....	2
15	00-440511	Post.....	1
16	00-440629	Hub – Plate Mounting.....	1
17	SC-121-61	Mach. Screw 1/4-20 x 5/8 Special Hex Hd.....	3
18	00-442833	Shaft Assy. – Post Mount.....	1
19	SC-041-55	Cap Screw 5/16-18 x 3/4 Hex Hd.....	6
20	WL-006-22	Lockwasher 5/16 Helical (SST).....	6
21	00-442829	Brace – Post Mount.....	1
22	SD-034-21	Self-Tapping Screw 10-16 x 1/2 Slotted Hex Hd.....	1
	00-442832	Kit – Post Mount (Incls. Items 1 thru 7 & 16 thru 22).....	1

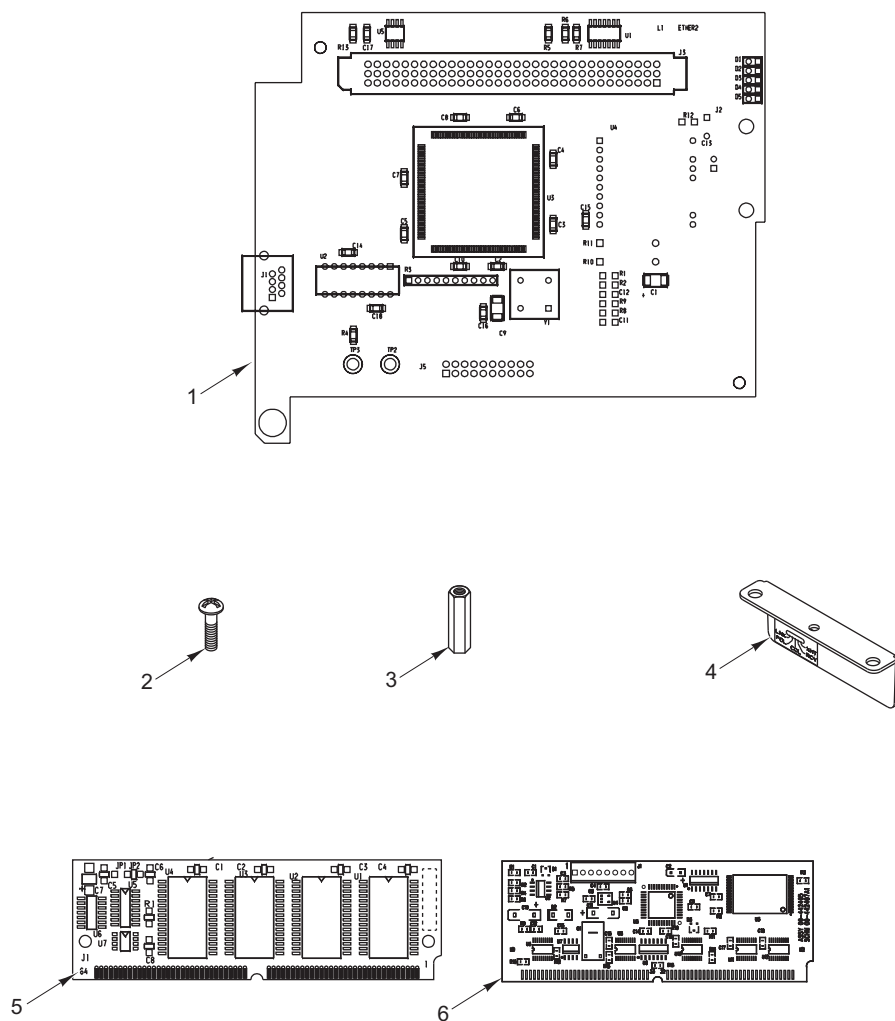


PL-55852

TCP/IP WIRELESS COMMUNICATION KIT

TCP/IP WIRELESS COMMUNICATION KIT

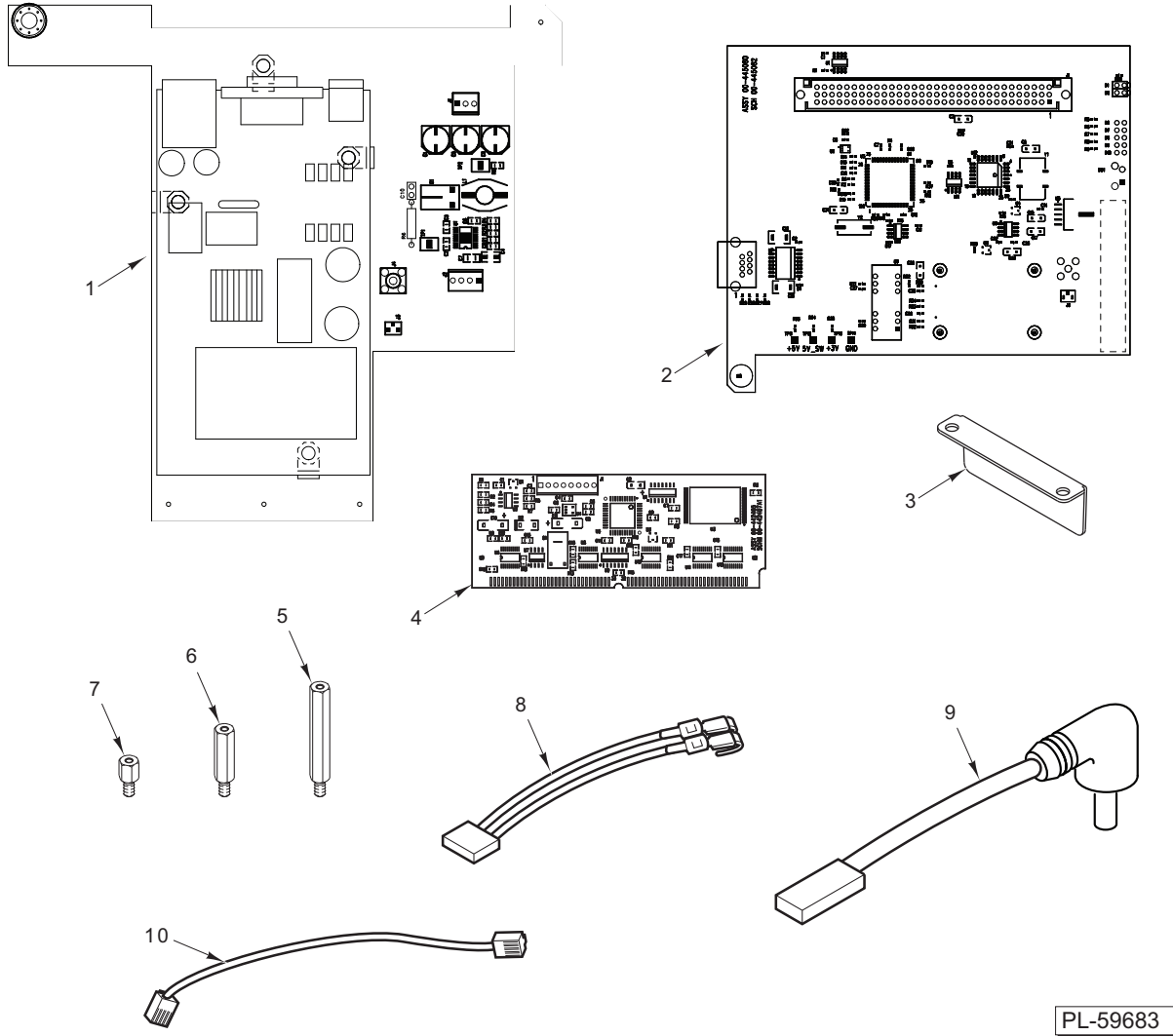
ILLUS.	PART NO.	NAME OF PART	AMT.
PL-55852			
1	00-445525	Board Assy. (PD6722 Adapter)	1
2	00-042358	Board Assy. (2MB PSRAM)	1
3	00-442490-00030	Board Assy. (2MB EPROM).....	1
4	00-445016	Bracket Assy. – Board Support	1
5	00-440950	Terminal	2
6	00-440685	Label – Wireless	1
7	00-440671	Bracket – Wireless	1
	00-442519	Shield	1
	00-442527	Standoff.....	1
	00-012851	Washer – Fiber	1



PL-55853

TCP/IP WIRED COMMUNICATION KIT

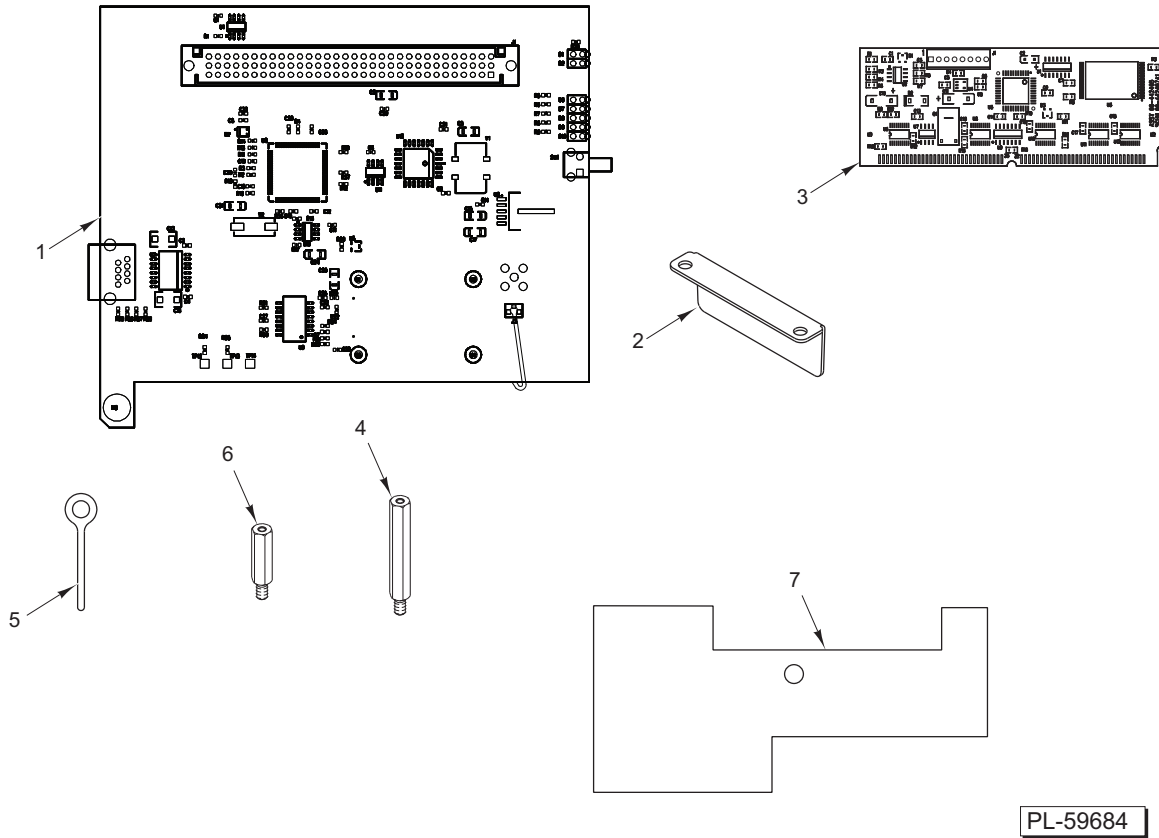
ILLUS.	PART NO.	NAME OF PART	AMT.
PL-55853			
1	00-445310	Board Assy. – CS8900 Ethernet	1
2	SC-111-26	Mach. Screw 8-32 x 1 Phil. Pan Hd.	1
3	00-049813	Spacer	1
4	00-445339	Bracket Assy. – Ethernet.....	1
5	00-042358	Board Assy. (2MB PSRAM)	1
6	00-442490-00030	Board Assy.....	1



PL-59683

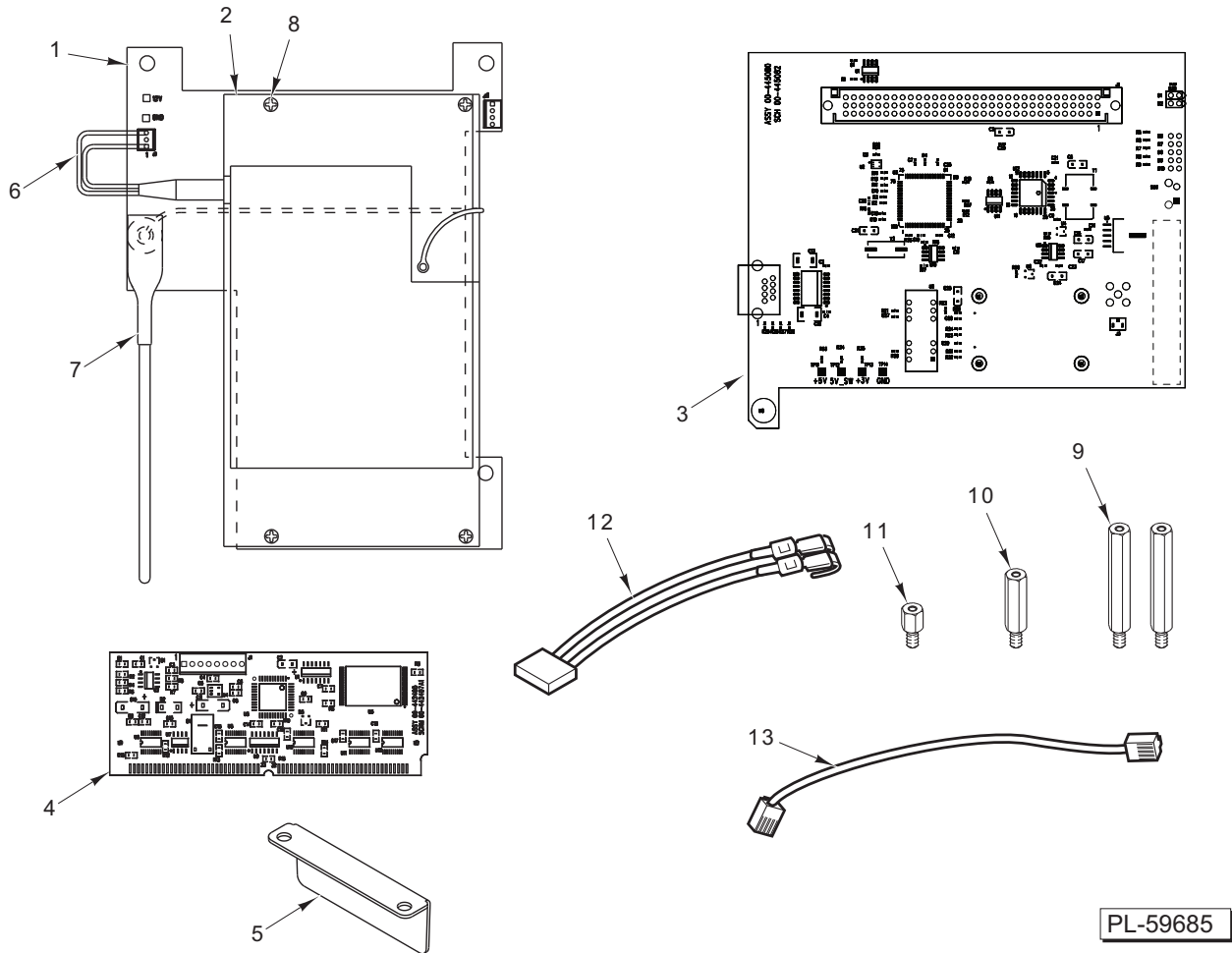
QUANTUM 3COM BRIDGE KIT

ILLUS.	PART NO.	NAME OF PART	AMT.
	PL-59683		
1	00-445175	Board Assy. (3COM Interface).....	1
2	00-445310	Board Assy. (CS8900 Ethernet).....	1
3	00-445339	Bracket – Ethernet.....	1
4	00-442490-00030	Board Assy.....	1
5	00-444853-00004	Standoff (Long).....	1
6	00-444853-00001	Standoff (Medium).....	1
7	00-443847	Standoff (Short).....	1
8	00-445216	Harness – Power.....	1
9	00-445218	3COM Power Cable.....	1
10	00-444742	Cable – Network (CAT5E 1 Ft.).....	1
	00-445388	Label – Wireless Bridge.....	1
	SC-122-59	Mach. Screw 8-32 x 1/4.....	2



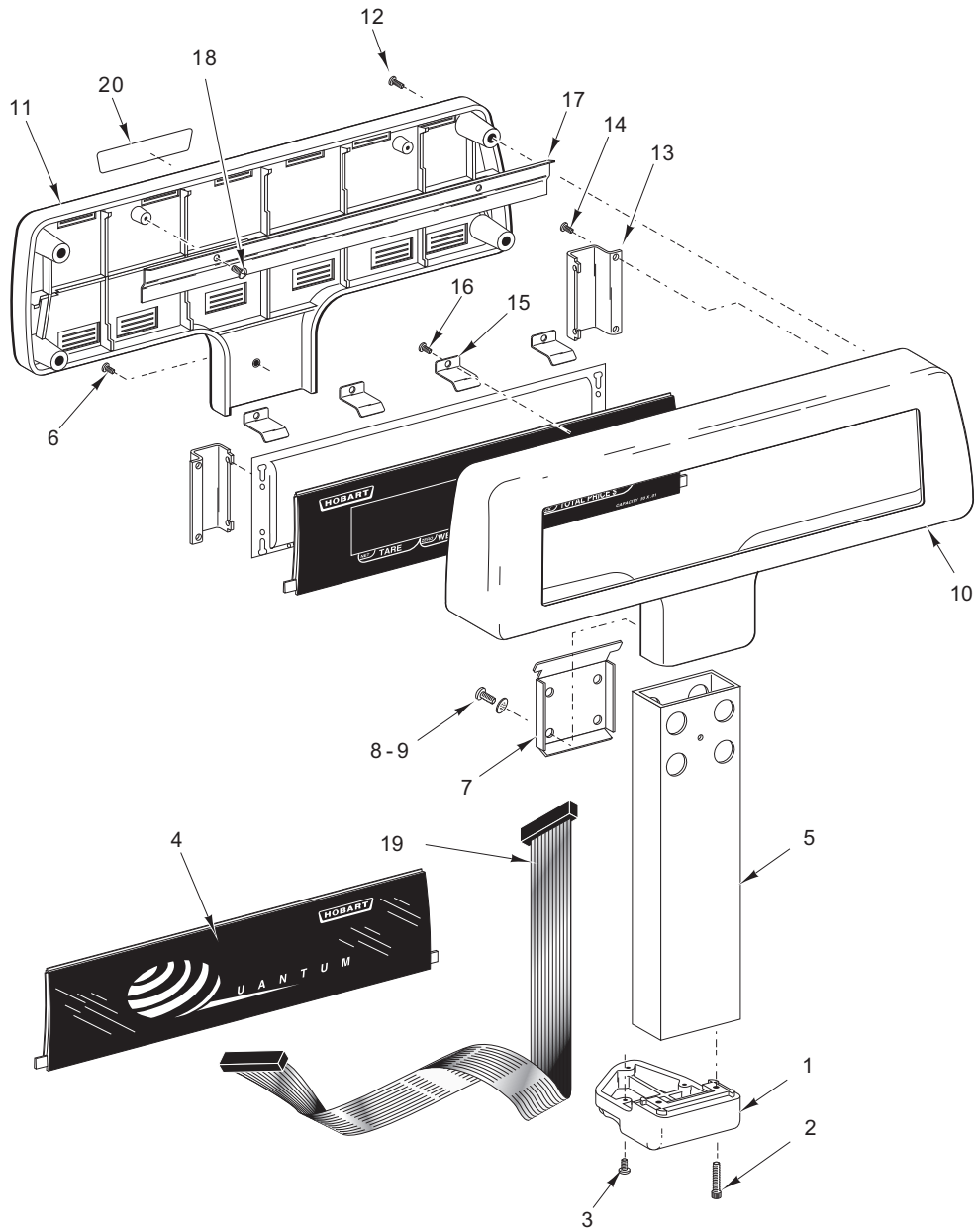
QUANTUM DPAC2 BRIDGE KIT

ILLUS.	PART NO.	NAME OF PART	AMT.
PL-59684			
1	00-446556-00001	Board Assy. (DPAC2).....	1
2	00-445339	Bracket – Ethernet.....	1
3	00-442490-00030	Board Assy.....	1
4	00-444853-00001	Standoff.....	1
5	00-440950	Terminal.....	1
6	00-442527	Standoff.....	1
7	00-442519	Shield – Wire.....	1
	00-445348	Label – Client Bridge.....	1
	00-012851	Washer – Fiber.....	1
	SC-122-59	Mach. Screw 8-32 x 1/4.....	2



QUANTUM CB3000 BRIDGE KIT

ILLUS.	PART NO.	NAME OF PART	AMT.
PL-59685			
1	00-445320	Board Assy. (Symbol Power Supply)	1
2	00-444876-00001	Board – Symbol Bridge.....	1
3	00-445310	Board Assy. (CS8900 Ethernet).....	1
4	00-442490-00030	Board Assy.....	1
5	00-445339	Bracket – Ethernet.....	1
6	00-445642	Cable – Symbol Power	1
7	00-444876-00002	Antenna	1
8	SC-129-40	Mach. Screw 4-40 x 1/4.....	4
9	00-445643-00003	Standoff (Long)	2
10	00-445643-00002	Standoff (Medium)	1
11	00-445643-00001	Standoff (Short).....	1
12	00-445641	Harness – Power	1
13	00-444742	Cable – Network (CAT5E 1 Ft.)	1
	SC-122-59	Mach. Screw 8-32 x 1/4.....	3
	00-440425	Bumper – Foot	1
	00-445069	Label – Client Bridge	1
	00-445655	Label – MAC Address	1

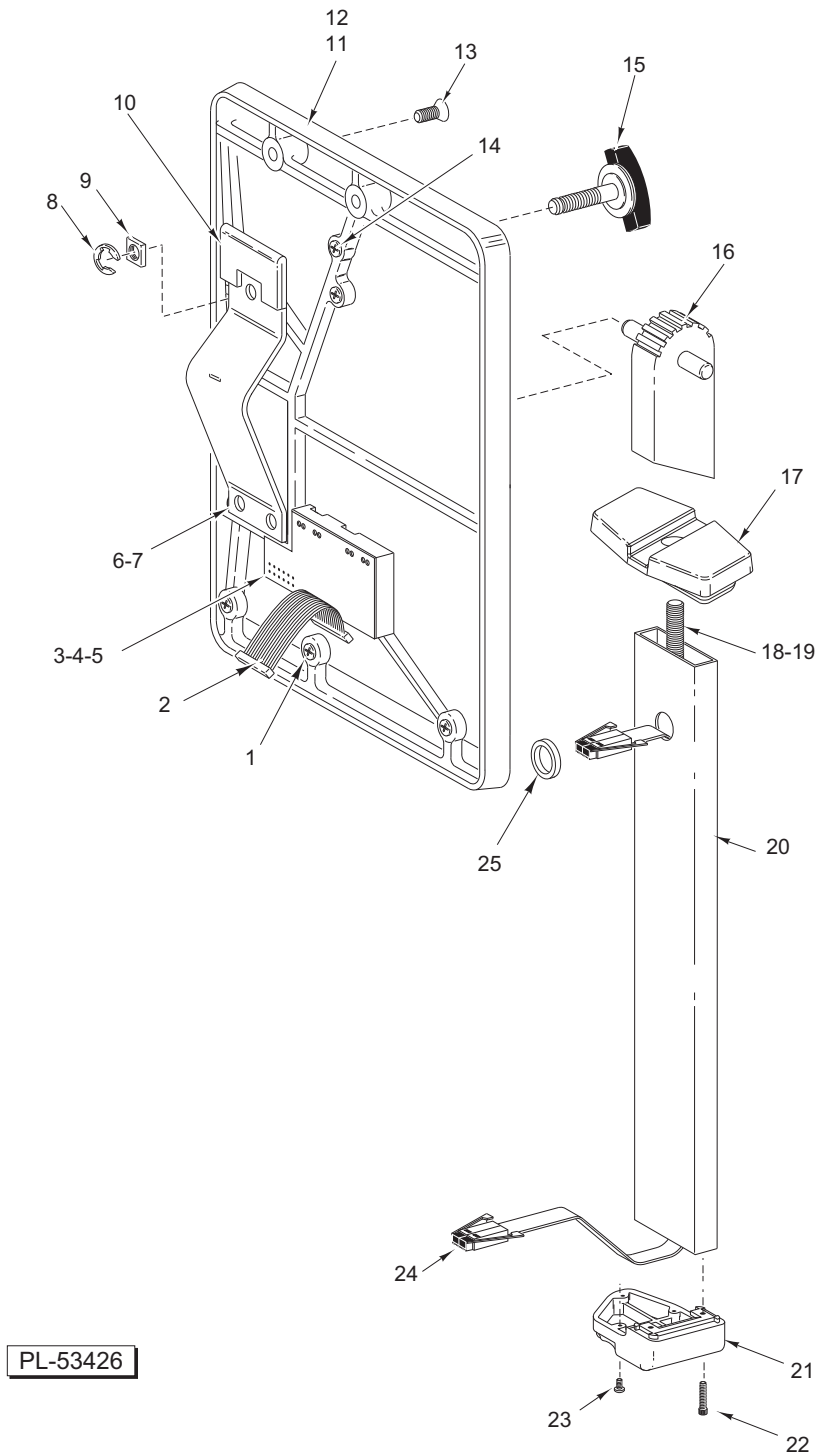


PL-52071

ELEVATED DISPLAY

ELEVATED DISPLAY

ILLUS. PL-52071	PART NO.	NAME OF PART	AMT.
1	00-445259-00001	Support – Elevated Display (Gray)	1
2	SC-059-15	Cap Screw 10-24 x 1 Hex Socket Hd. (SST).....	2
3	SD-015-41	Self-Tapping Screw 8-32 x 1/2 Phil. Pan Hd., Type TT	3
4	00-044857	Panel Assy. (Rear)	1
5	00-043329	Post Assy. (Display)	1
6	SC-066-01	Mach. Screw 6-32 x 1/4 Phil. Truss Hd.	1
7	00-043397	Bracket – Clamp	1
8	SC-093-23	Mach. Screw 10-24 x 3/8 Phil. Pan Hd.	4
9	WL-013-11	Lockwasher #10 Internal Shakeproof	4
10	00-445260-00001	Housing – Front Elevated Display (Gray)	1
11	00-445261-00001	Housing – Rear Elevated Display (Gray).....	1
12	SD-037-72	Self-Tapping Screw Special 6-19 x 1/2 Phil. Pan Hd., Plastite	4
13	00-043399	Bracket – VF Mount (Elevated Display).....	2
14	SD-037-71	Self-Tapping Screw Special 6-19 x 5/16 Phil. Pan Hd., Plastite.....	4
15	00-043398	Bracket – Filter (Elevated Display)	4
16	SD-037-71	Self-Tapping Screw Special 6-19 x 5/16 Phil. Pan Hd., Plastite.....	4
17	00-043258	Plate – Baffle (Elevated Display)	1
18	SD-037-71	Self-Tapping Screw Special 6-19 x 5/16 Phil. Pan Hd., Plastite.....	2
19	00-043617	Cable – VFD 20 Pos. (30 In.).....	1
20	00-117863-00003	Logo.....	1
	00-043320	Display Assy. – Elevated.....	1

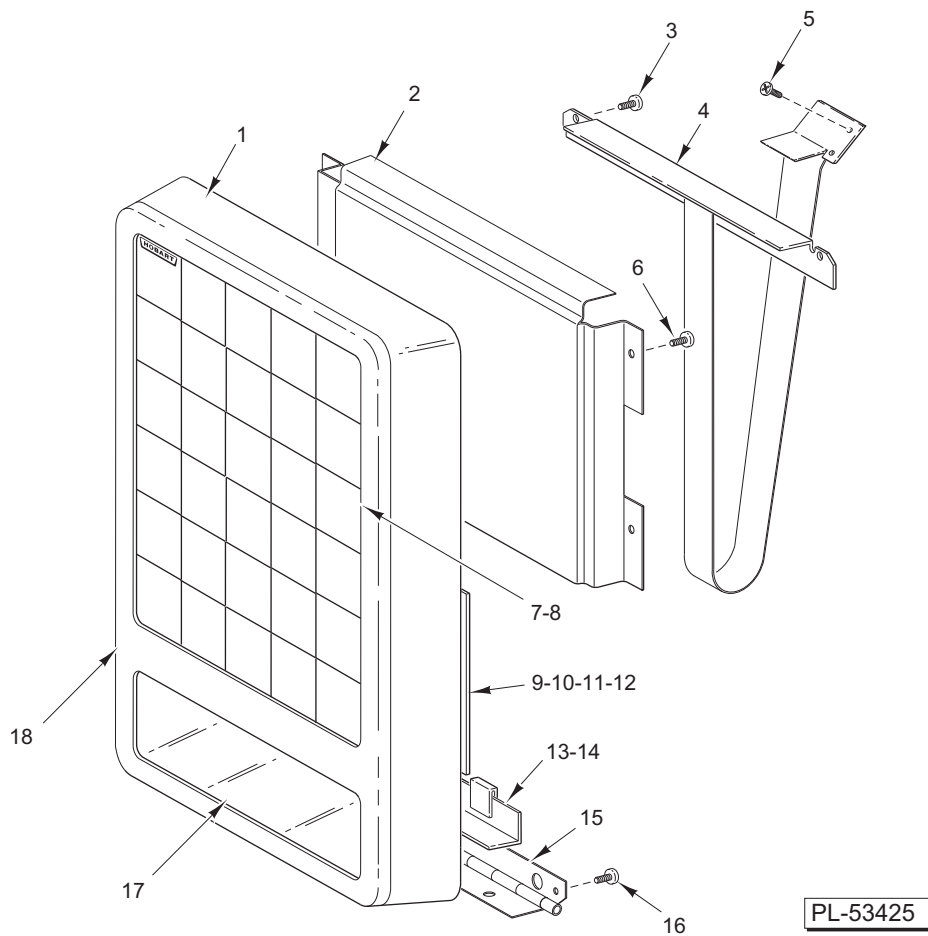


PL-53426

REMOTE CONSOLE UNIT

REMOTE CONSOLE UNIT

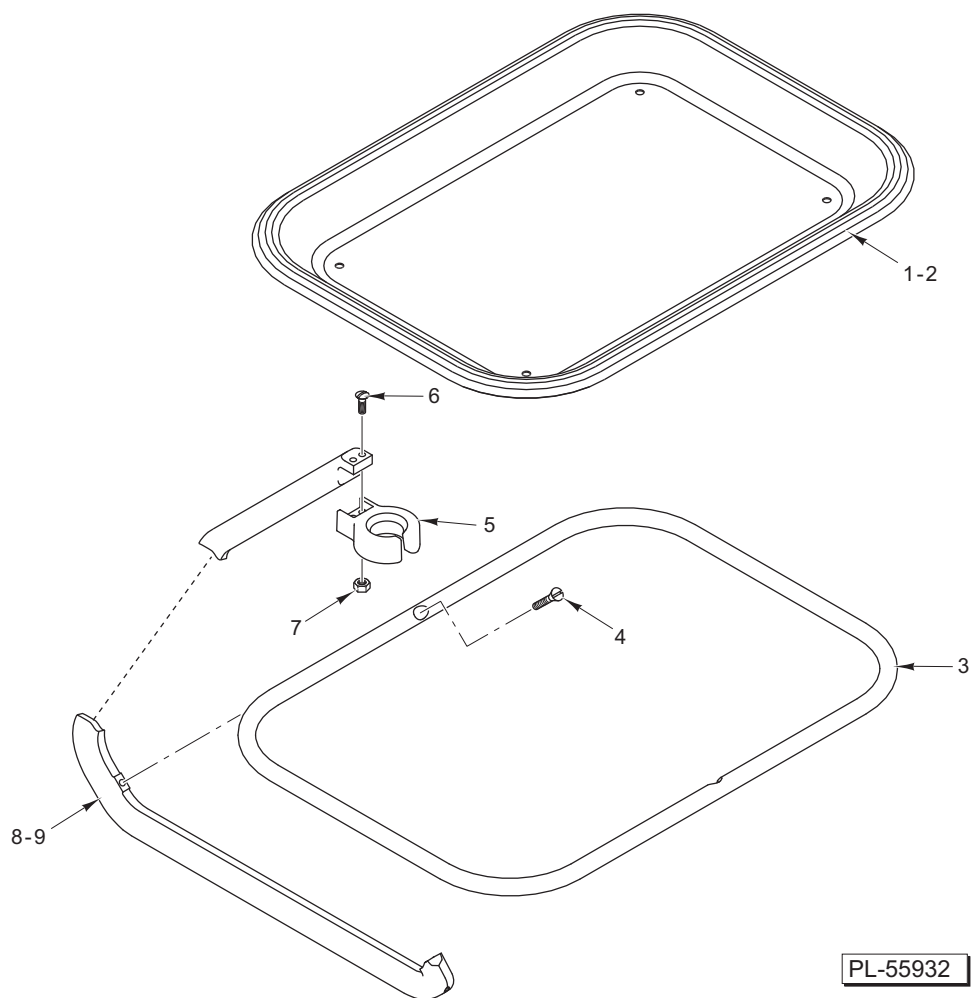
ILLUS.	PART NO.	NAME OF PART	AMT.
PL-53426			
1	SD-015-40	Self-Tapping Screw 8-32 x 3/8 Phil. Pan Hd., Type TT	6
2	00-042218	Cable Assy. (Network Adapter)	1
3	00-042345	Board Assy. (Con Mod Network Adapter)	1
4	00-041663	Bracket – Nut	1
5	SC-113-10	Mach. Screw 4-40 x 3/8 Phil. Pan Hd.	4
6	SC-018-22	Mach. Screw 10-24 x 1/2 Phil. Pan Hd.	2
7	00-044026	Spacer	2
8	RR-011-83	Retaining Ring	1
9	NS-008-07	Mach. Nut 1/4-20 Square	1
10	00-041618	Clamp	1
11	00-044084	Base – Control Panel.....	1
12	00-440442	Plug.....	2
13	SC-020-23	Mach. Screw 10-24 x 3/8 Phil. Flat Hd.	2
14	SD-015-40	Self-Tapping Screw 8-32 x 3/8 Phil. Pan Hd., Type TT	2
15	00-041950	Knob Assy.	1
16	00-041621	Pivot Assy. – Weldment	1
17	00-440029	Cap – Post.....	1
18	SC-092-31	Cap Screw 1/4-20 x 1 1/2 Hex Socket Hd.	1
19	WL-003-38	Lockwasher 1/4 Medium.....	1
20	00-440020	Post Assy. – Weldment	1
21	00-440023	Support – Elevated Display	1
22	SC-059-15	Cap Screw 10-24 x 1 Hex Socket Hd. (SST).....	2
23	SD-015-40	Self-Tapping Screw 8-32 x 3/8 Phil. Pan Hd., Type TT	2
24	00-042070-00014	Cable Assy. 8 Position SDL (48 In.)	1
25	FE-021-24	Bushing – Electrical Snap.....	1



CONSOLE WITH SPEED KEYS

CONSOLE WITH SPEED KEYS

ILLUS.	PART NO.	NAME OF PART	AMT.
PL-53425			
1	00-440025	Panel – Control (Keypad)	1
2	-	Plate – Window Filler	1
3	SD-037-72	Self-Tapping Screw 6-19 x 1/2 Phil. Pan Hd.....	2
4	00-041628	Bracket Assy. – Latch	1
5	SD-015-40	Self-Tapping Screw 8-32 x 3/8 Phil. Pan Hd., Type TT	2
6	SD-033-64	Self-Tapping Screw 4 x 3/16 Rd. Hd., Type U	4
7	00-440420	Window – Marnot (Large)	1
8	00-440182	Keypad – 30 Speed key	1
9	00-042308	Board Assy. – Console Control	1
10	00-440490	Prom – Programmed	1
11	WL-008-01	Lockwasher #6 Internal Shakeproof	4
12	SC-018-77	Mach. Screw 6-32 x 5/16 Phil. Pan Hd.....	4
13	00-042654	Shield – Grounding	1
14	00-042658	Clip – Grounding	3
15	00-041619	Hinge	1
16	SD-037-72	Self-Tapping Screw 6-19 x 1/2 Phil. Pan Hd.....	4
17	00-440419	Window – Marnot (Small)	1
18	00-440024	Bezel – Keypad	1



PAN AND ARM

ILLUS.	PART NO.	NAME OF PART	AMT.
	PL-55932		
1	00-440051	Pan (2 In. Deep)	1
2	00-440052	Pan (1 In. Deep) (Shown)	1
3	00-440110	Ring – Pan Support	1
4	SC-015-36	Mach. Screw 10-24 x 5/8 Slotted Oval Hd.....	2
5	00-440114	Cup – Swivel.....	1
6	SC-015-36	Mach. Screw 10-24 x 5/8 Slotted Oval Hd.....	2
7	NS-011-18	Nut 10-24 Hex.....	2
8	00-440673	Arm Assy. – Pan (10 In.) (Incls. Items 3 thru 7)	1
9	00-440107	Arm – Support (15 In.)	1
	00-440674	Arm Assy. – Pan (15 In.) (Incls. Items 3 thru 7 & 9).....	1