



CATALOG OF REPLACEMENT PARTS



LXGe SERIES GLASSWASHERS

ML-130255

ML-130256

ML-130257

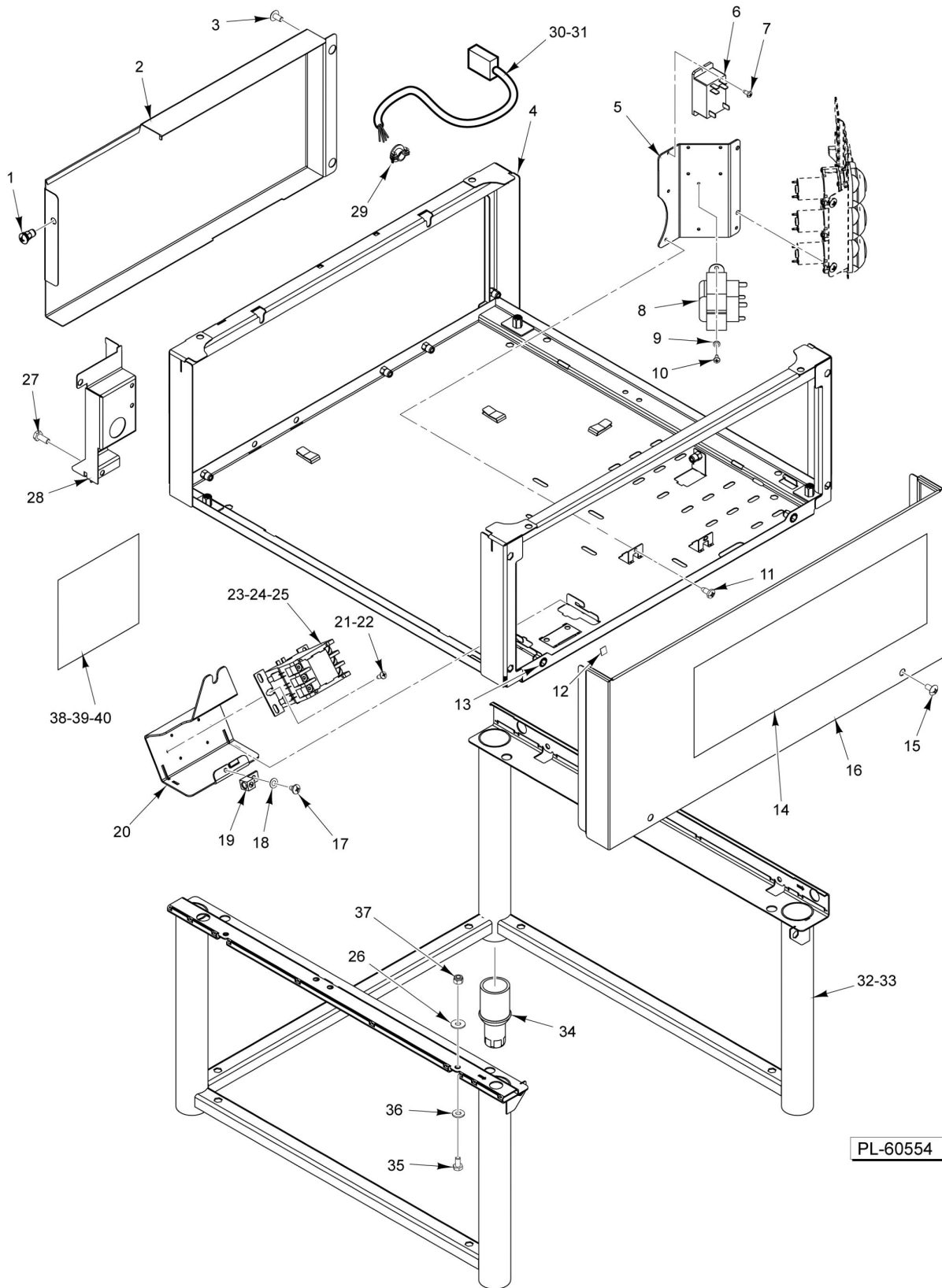
ML-130258

LXGePR (Cold)

LXGeR (Hot)

Table of Contents

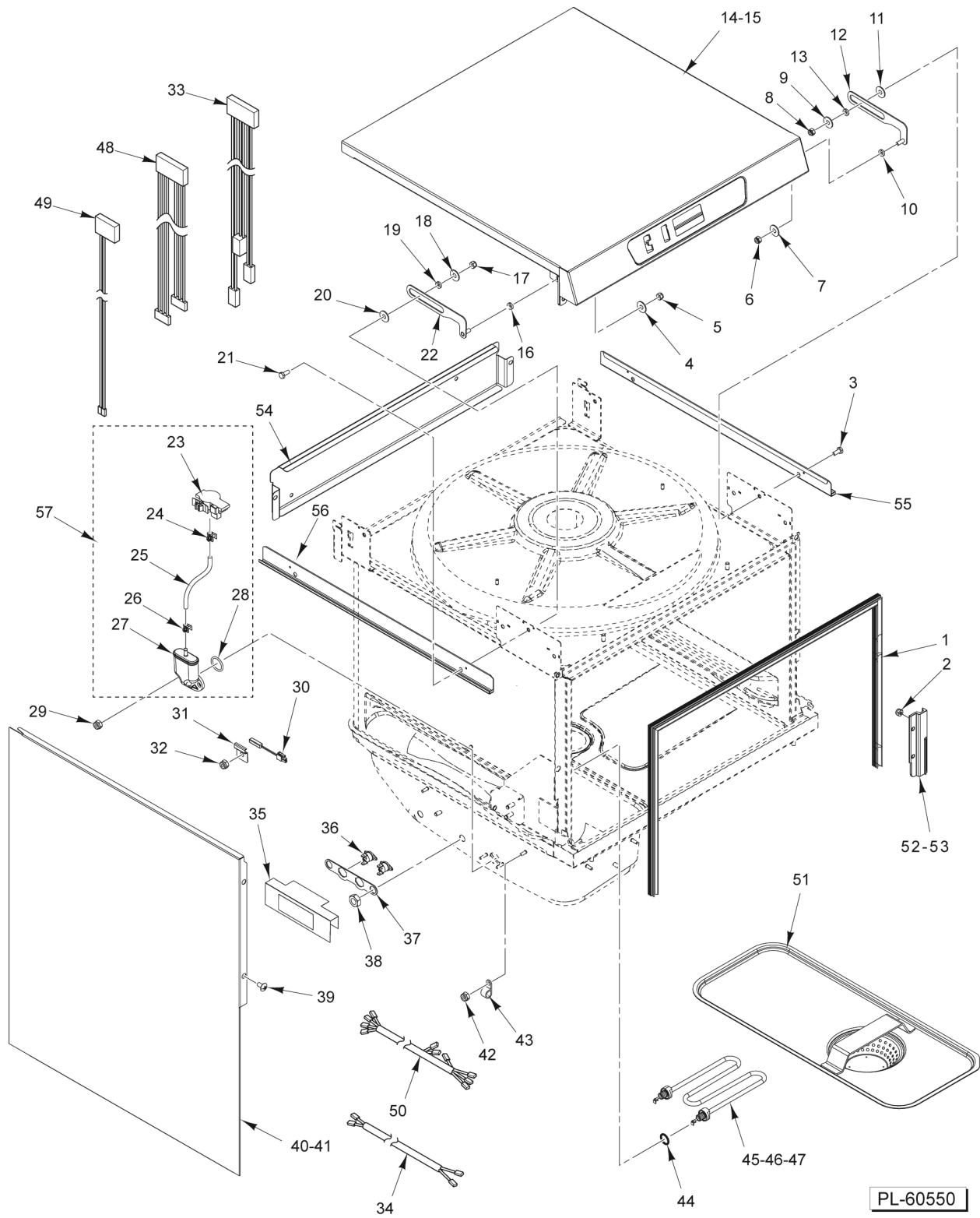
5	BASE ASSEMBLY
7	TANK ASSEMBLY
9	DOOR ASSEMBLY
11	CONTROL PANEL AND BOARDS
13	WASH ARM AND RINSE ARM ASSEMBLY
15	WASH PIPE ASSEMBLY
17	WASH PUMP AND DRAIN
19	DRAIN WATER TEMPERING
21	RINSE PUMP
23	CHEMICAL PUMPS AND SENSORS
25	BOOSTER ASSEMBLY (HOT)
27	RECOVERY TANK ASSEMBLY (COLD)
29	RECOVERY TANK ASSEMBLY (COLD) MOLDED TANK
31	VAPOR ELIMINATOR ASSEMBLY
33	FILL AIR GAP
35	MISCELLANEOUS
37	DOOR LOCK



BASE ASSEMBLY

BASE ASSEMBLY

ILLUS.	PART NO.	NAME OF PART	AMT.
PL-60554			
1	SC-125-15	Mach. Screw 1/4-20 x 1/2 Phil. Truss Hd.....	1
2	00-949441	Panel - Cover (Rear).....	1
3	SC-125-15	Mach. Screw 1/4-20 x 1/2 Phil. Truss Hd.....	2
4	00-941751	Base - Lower (Control Box).....	1
5	00-941759	Bracket - Contactor.....	1
6	00-087714-042-1	Relay (2-Pole) (120 VAC) (30 Amp.).....	1
7	SD-008-18	Self-Tapping Screw 8-18 x 3/8 Phil. Bndg. Hd., Type B.....	2
8	00-941947	Transformer (24 V., 30 Amp.).....	1
9	WL-006-07	Lockwasher #10 Helical (SST).....	2
10	SD-008-18	Self-Tapping Screw 8-18 x 3/8 Phil. Bndg. Hd., Type B.....	2
11	SD-008-25	Self-Tapping Screw 10-16 x 1/2 Phil. Pan Hd., Type B.....	2
12	0F-011613	Label - Ground.....	1
13	00-919364-00002	Rivnut 1/4-20.....	AR
14	00-438131-00205	Label (Cleaning).....	1
15	SC-125-15	Mach. Screw 1/4-20 x 1/2 Phil. Truss Hd.....	2
16	00-949296	Trim - Front.....	1
17	SD-035-77	Self-Tapping Screw 1/4-20 x 3/8 Phil. Pan Hd., Type TT.....	1
18	WL-007-15	Lockwasher 1/4 External Shakeproof.....	1
19	00-118544-00002	Lug - Grounding.....	1
20	00-950225	Bracket.....	1
21	SD-008-25	Self-Tapping Screw 10-16 x 1/2 Phil. Pan Hd., Type B (LXGeR).....	2
22	SD-008-18	Self-Tapping Screw 8-18 x 3/8 Phil. Bndg. Hd., Type B (LXGePR).....	2
23	00-087713-00108	Contactor (25 Amp.) (3-Pole) (LXGeR).....	1
24	00-941813	Block - Terminal (3-Pole) (LXGePR).....	1
25	00-949709	Contactor (40 Amp.) (3-Pole) w/Switch (LXGeR 30-AMP Only).....	1
26	WS-029-13	Washer (SST) (SST).....	4
27	SC-041-50	Cap Screw 1/4-20 x 1/2 Hex Hd. (SST).....	1
28	00-941760	Box - Junction.....	1
29	FE-026-41	Connector - Conduit.....	1
30	00-948312	Kit - Power Cord Cord - Power (120 V.).....	1
31	00-948315	Kit - Power Cord 120/208-240 V., 3 Wire.....	1
32	00-949311-00001	Frame (Standard).....	1
33	00-949311-00002	Frame (Short).....	1
34	00-288946-00002	Foot - Adjustable (1-5/8) (SST).....	4
35	SC-041-50	Cap Screw 1/4-20 x 1/2 Hex Hd. (SST).....	8
36	WS-017-06	Washer (SST).....	8
37	NS-047-82	Stop Nut 1/4-20 Hex (SST).....	4
38	0F-038436	Label - Electrical Diagram (LXGeR) (120/208-240 V., 60 Hz., 1 Ph.).....	1
39	0F-038437	Label - Electrical Diagram (LXGePR) (120 V., 60 Hz., 1 Ph.).....	1
40	0F-047528	Label - Electrical Diagram (LXGeR 30-AMP Only) (120/208/360 V., 60 Hz., 1 Ph.).....	1
	0F-038401	Label, Sanitizer Override (LXGePR only).....	AR

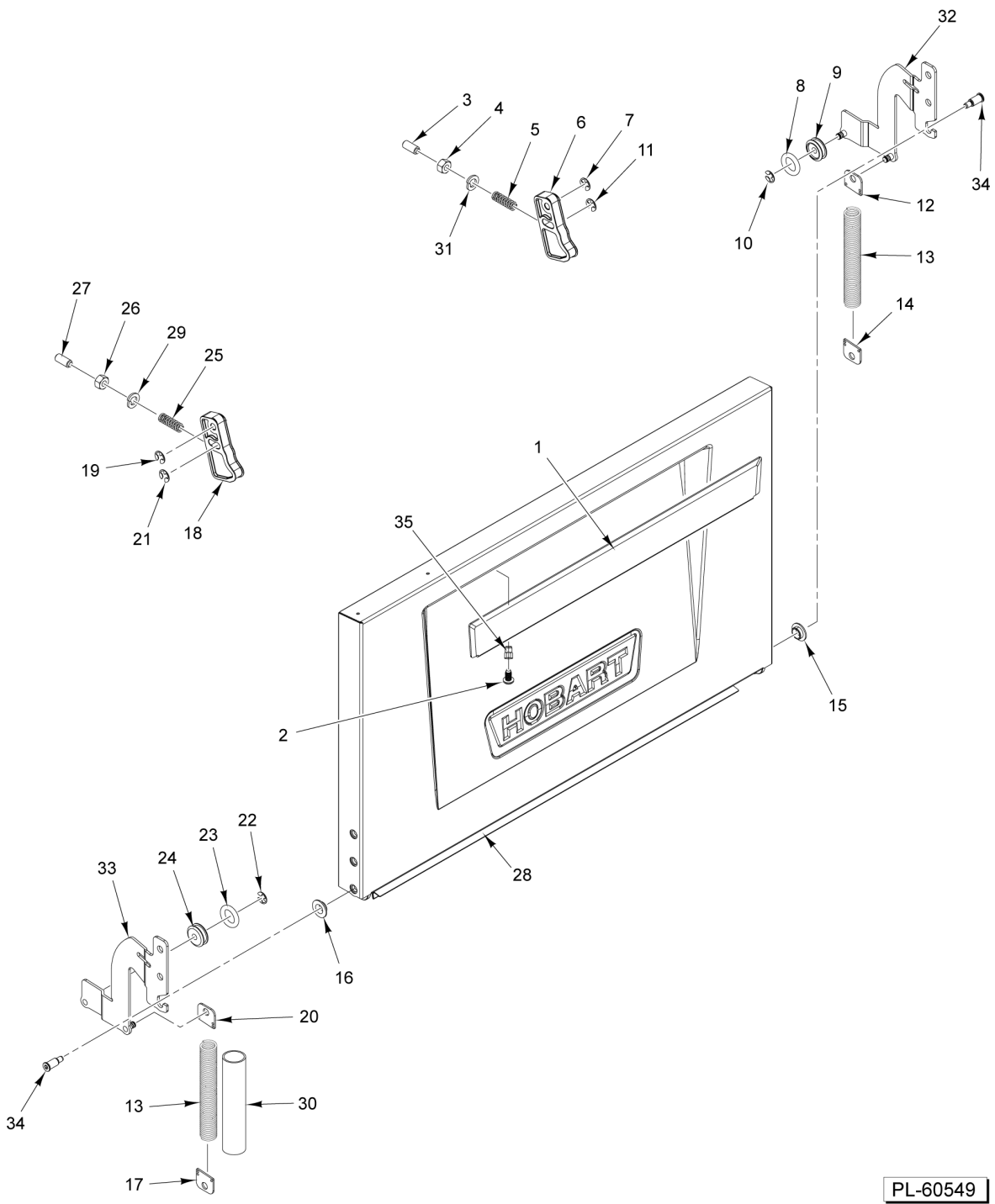


PL-60550

TANK ASSEMBLY

TANK ASSEMBLY

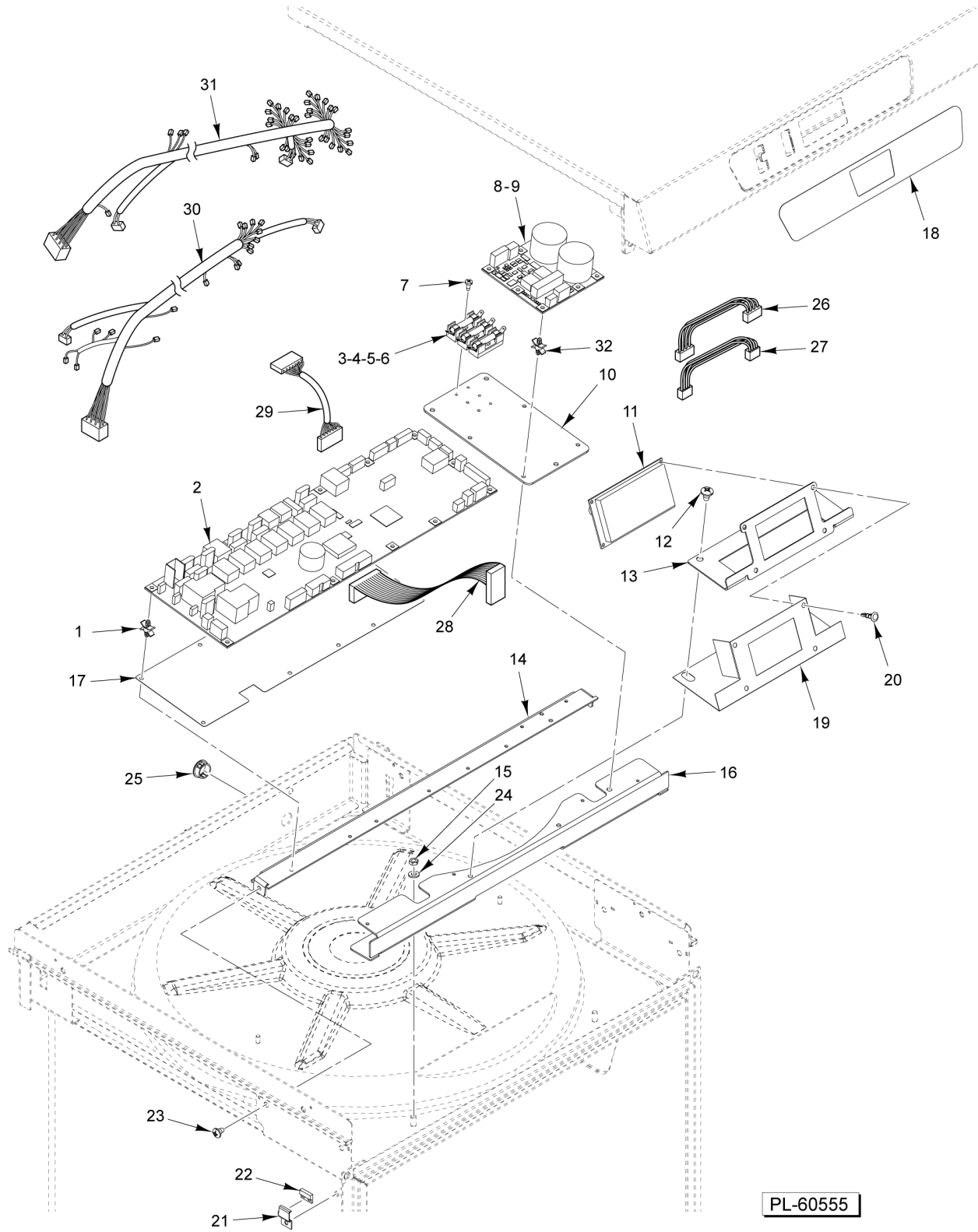
ILLUS.	PART NO.	NAME OF PART	AMT.
PL-60550			
1	01-515367-002	Seal - Door.....	1
2	NS-031-15	Stop Nut 10-24 Hex (SST).....	4
3	SC-041-05	Cap Screw 1/4-20 x 5/8 Hex Hd. (SST).....	1
4	WS-017-01	Washer 0.328 x 0.875 x 0.062 (SST).....	1
5	NS-047-82	Stop Nut 1/4-20 Hex (SST).....	1
6	NS-047-82	Stop Nut 1/4-20 Hex (SST).....	1
7	WS-017-01	Washer 0.328 x 0.875 x 0.062 (SST).....	1
8	NS-047-82	Stop Nut 1/4-20 Hex (SST).....	1
9	WS-017-01	Washer 0.328 x 0.875 x 0.062 (SST).....	1
10	WS-022-25	Washer (SST).....	1
11	WS-017-01	Washer 0.328 x 0.875 x 0.062 (SST).....	1
12	00-941783-00001	Link - Control Box Pivot (RH).....	1
13	WS-022-25	Washer (SST).....	1
14	00-941780	Top - Control Box.....	1
15	00-942191	Gasket - Control Box (Top).....	1
16	WS-022-25	Washer (SST).....	1
17	NS-047-82	Stop Nut 1/4-20 Hex (SST).....	1
18	WS-017-01	Washer 0.328 x 0.875 x 0.062 (SST).....	1
19	WS-022-25	Washer (SST).....	1
20	WS-017-01	Washer 0.328 x 0.875 x 0.062 (SST).....	1
21	SC-041-05	Cap Screw 1/4-20 x 5/8 Hex Hd. (SST).....	1
22	00-941783-00002	Link - Control Box Pivot (LH).....	1
23	00-974533	Pressure Transducer.....	1
24	00-113156-00001	Clamp - Spring Action Hose.....	2
25	00-974388-00004	Tube - PVC.....	1
26	00-113156-00001	Clamp - Spring Action Hose.....	1
27	00-942151-00001	Trap - Air.....	1
28	OR-001-21	O-Ring.....	1
29	NS-047-82	Stop Nut 1/4-20 Hex (SST).....	2
30	00-941747	Thermistor.....	1
31	00-941793	Bracket - Thermistor.....	1
32	NS-047-82	Stop Nut 1/4-20 Hex (SST).....	1
33	00-941873	Harness - Wire (Temperature Probes).....	1
34	00-950360	Harness - Wire (LXGeR 30-AMP Only).....	1
35	00-473318-00002	Barrier - Sump Heater (Mylar).....	1
36	00-942185	Protector - High Limit.....	2
37	00-749400	Bracket - Overtemp Mounting.....	1
38	NS-041-09	NLA - Obsolete--Lock Nut 1/2-13 Hex.....	2
39	SC-125-15	Mach. Screw 1/4-20 x 1/2 Phil. Truss Hd.....	4
40	00-941792-00003	Panel - Side (RH).....	1
41	00-941792-00004	Panel - Side (LH).....	1
42	NS-047-94	Lock Nut 3/16 Washer Type (SST).....	12
43	00-294677-00003	Clamp - Wire (3/4 I.D.).....	12
44	00-067500-00007	O-Ring.....	2
45	00-941286-00003	Element - Heater (Sump) (120 V.).....	1
46	00-941286-00001	Element - Heater (Sump) (208-240 V.).....	1
47	00-892725-00002	Element - Heater (Sump) (208 V.) (LXGeR 30-AMP Only).....	1
48	00-941874	Harness - Wire (Pressure Sensor).....	1
49	00-941885	Harness - Wire (High Limit) (LXGePR).....	1
50	00-941883	Harness - Wire (Sump Heater).....	1
51	00-941734-00001	Strainer - Weldment.....	1
52	00-942106-00001	Guide - Door (RH).....	1
53	00-942106-00002	Guide - Door (LH).....	1
54	00-941785	Panel - Rear Trim (Upper).....	1
55	00-941784-00001	Gutter - Right.....	1
56	00-941784-00002	Gutter - Left.....	1
57	00-950051-00002	Kit - Tubing (Incls. Items 23, 24, 25, 26,27, & 28).....	1



DOOR ASSEMBLY

DOOR ASSEMBLY

ILLUS.	PART NO.	NAME OF PART	AMT.
PL-60549			
1	00-941889	Handle - Door (Advansys).....	1
2	SC-125-15	Mach. Screw 1/4-20 x 1/2 Phil. Truss Hd.....	4
3	SC-131-57	Set Screw 5/16-18 x 3/4 Hex Hdls., Dog Pt. (SST).....	1
4	NS-015-11	Nut 5/16-18 Hex (SST).....	1
5	00-941848	Spring - Compression.....	1
6	00-941849	Cam - Door Pivot.....	1
7	RR-006-22	Retaining Ring 1/4 In. (SST).....	1
8	OR-001-23	O-Ring.....	1
9	00-941852	Roller - Cam.....	1
10	RR-006-22	Retaining Ring 1/4 In. (SST).....	1
11	RR-006-22	Retaining Ring 1/4 In. (SST).....	1
12	00-941851	Connector - Spring.....	1
13	00-950061	Spring - Extension.....	2
14	00-941851	Connector - Spring.....	1
15	00-941846	Bearing - Door.....	1
16	00-941846	Bearing - Door.....	1
17	00-941851	Connector - Spring.....	1
18	00-941849	Cam - Door Pivot.....	1
19	RR-006-22	Retaining Ring 1/4 In. (SST).....	1
20	00-941851	Connector - Spring.....	1
21	RR-006-22	Retaining Ring 1/4 In. (SST).....	1
22	RR-006-22	Retaining Ring 1/4 In. (SST).....	1
23	OR-001-23	O-Ring.....	1
24	00-941852	Roller - Cam.....	1
25	00-941848	Spring - Compression.....	1
26	NS-015-11	Nut 5/16-18 Hex (SST).....	1
27	SC-131-57	Set Screw 5/16-18 x 3/4 Hex Hdls., Dog Pt. (SST).....	1
28	00-949324-00003	Door Assy.....	1
29	WL-006-23	Lockwasher 5/16 Helical (SST).....	1
30	00-947934	Cover - Spring.....	1
31	WL-006-23	Lockwasher 5/16 Helical (SST).....	1
32	00-949319-00001	Stop - Door (RH).....	1
33	00-949319-00002	Stop - Door (LH).....	1
34	00-949316	Screw - Pivot.....	6
35	00-919364-00003	NUT, RIVET, 1/4-20.....	6

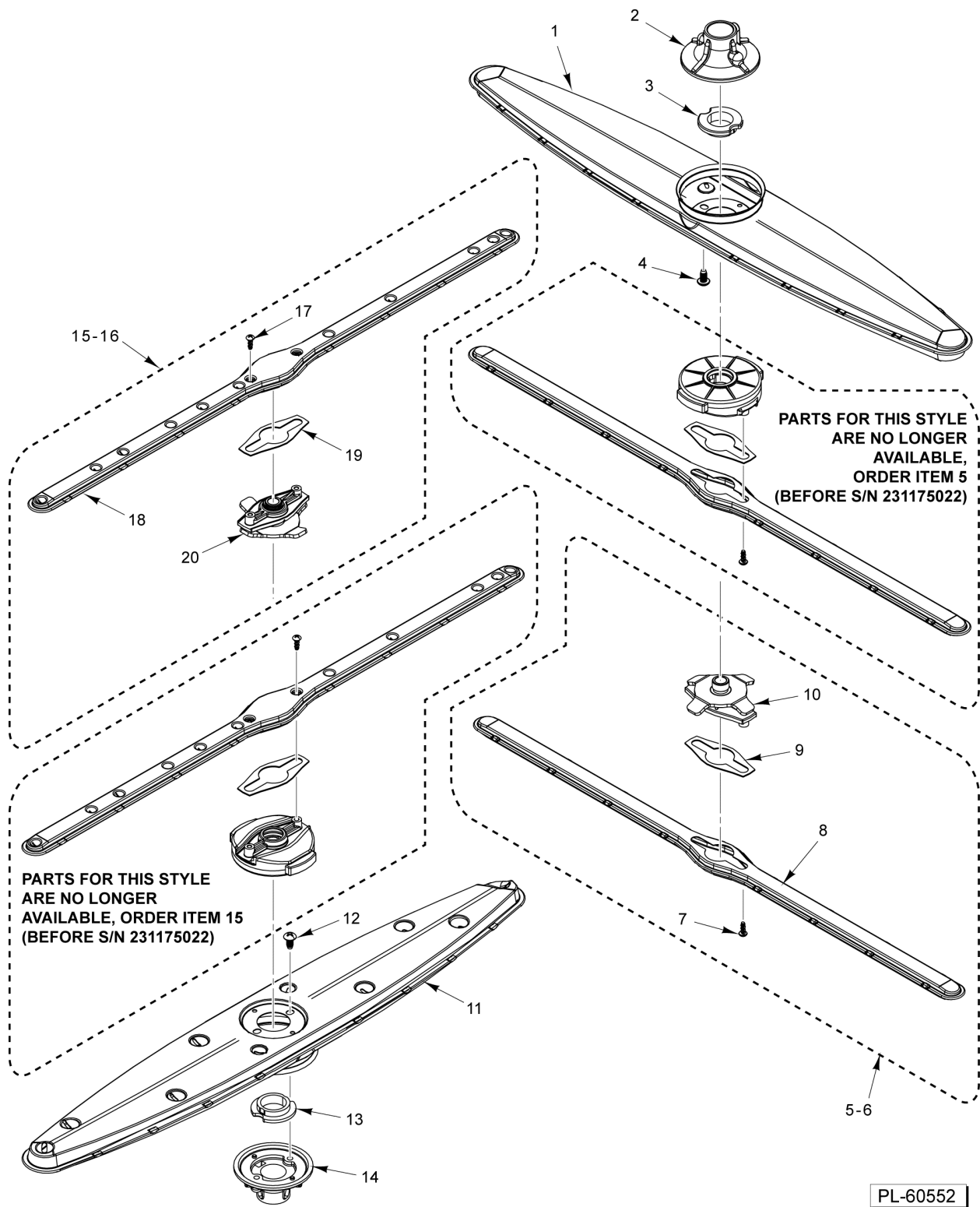


PL-60555

CONTROL PANEL AND BOARDS

CONTROL PANEL AND BOARDS

ILLUS.	PART NO.	NAME OF PART	AMT.
PL-60555			
1	00-329056-00001	Standoff.....	7
2	00-941944-00003	Board - Master.....	1
3	00-942158	Block - Fuse.....	1
4	FE-022-28	Fuse (0.5 Amp.) (250 V.).....	1
5	FE-026-92	Fuse (2.5 Amp.) (250 V.).....	1
6	FE-022-39	Fuse (1.5 Amp.) (250 V.) (Advansys Hot Only).....	1
7	SD-008-17	Self-Tapping Screw 6-20 x 3/8 Phil. Bndg. Hd., Type B.....	2
8	00-941941	Board - Power Supply.....	1
9	FE-022-29	Fuse (250 V.) (1 Amp.).....	1
10	00-941786	Mount - Power Supply.....	1
11	00-941548	Display.....	1
12	SD-035-77	Self-Tapping Screw 1/4-20 x 3/8 Phil. Pan Hd., Type TT.....	2
13	00-941789	Mount - Display.....	1
14	00-941788	Base - Control Box (Upper).....	1
15	NS-047-82	Stop Nut 1/4-20 Hex (SST).....	2
16	00-941787	Mount - Brace (Front).....	1
17	00-948050	Mylar - Barrier.....	1
18	00-941546-00001	Keypad - Membrane (Advansys).....	1
19	00-942179	Mylar - Display.....	1
20	00-941790-00001	Clip - Board.....	4
21	00-941890	Bracket - Reed Switch.....	1
22	00-941429-00003	Switch Assy. - Door.....	1
23	SD-035-77	Self-Tapping Screw 1/4-20 x 3/8 Phil. Pan Hd., Type TT.....	2
24	WS-017-01	Washer 0.328 x 0.875 x 0.062 (SST).....	2
25	FE-016-02	Bushing - Snap (LXGeR Only).....	1
26	00-941879	Harness - Control (12 V.) (Control Signal from Control Board to Power Supply Board)	1
27	00-941878	Harness - Power Supply (Power Supply Board to Control Board).....	1
28	00-941875	Cable - Display.....	1
29	00-941881	Harness - Keypad.....	1
30	00-941880	Harness - Wire (120 V.) (LXGeR).....	1
31	00-947821	Harness - Wire (120 V.) (LXGePR).....	1
32	00-329056-00001	Standoff.....	4

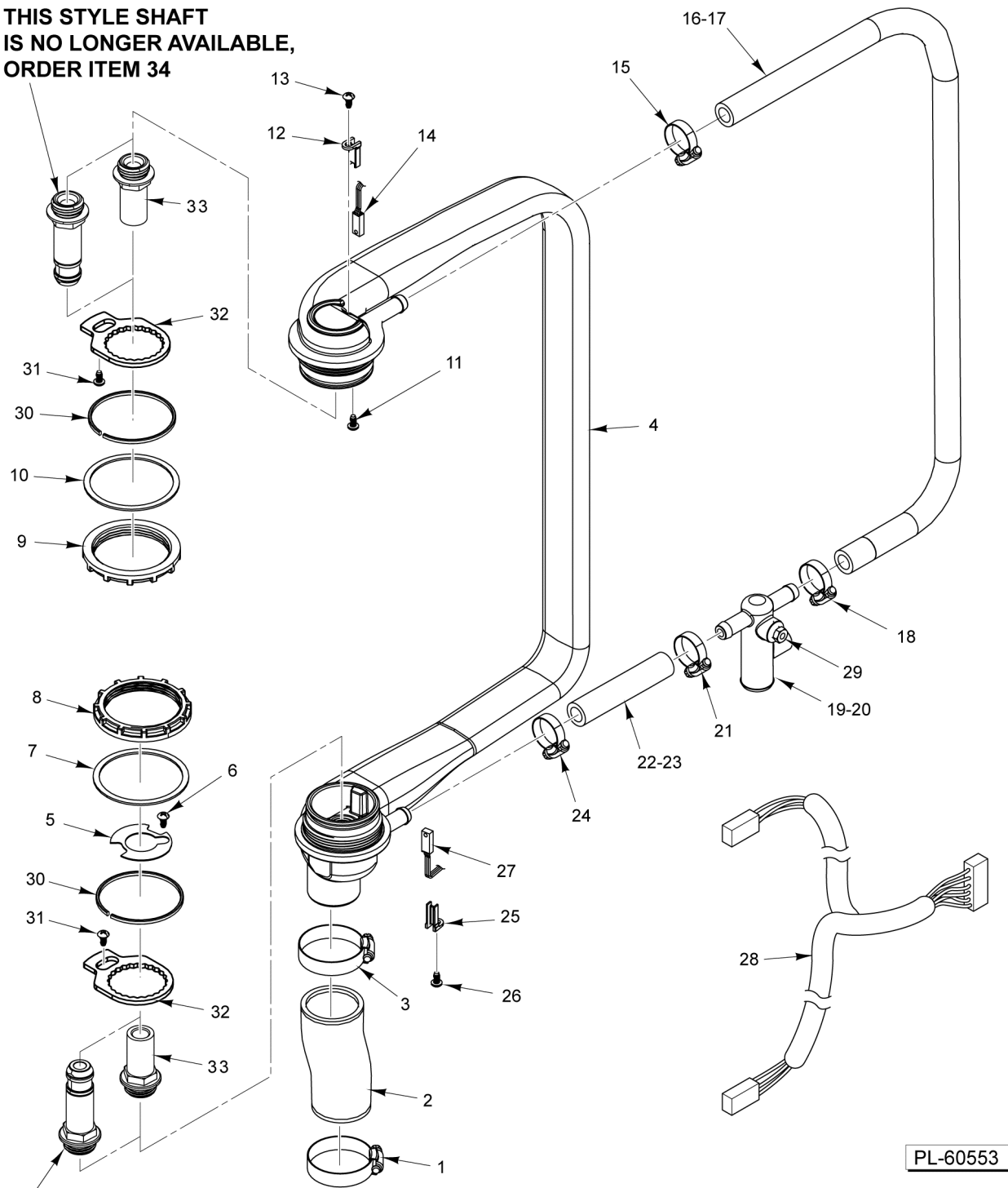


WASH ARM AND RINSE ARM ASSEMBLY

WASH ARM AND RINSE ARM ASSEMBLY

ILLUS. PL-60552	PART NO.	NAME OF PART	AMT.
1	00-941611-00001	Wash Arm Assy. (Incls. Items 2, 3, & 4).....	1
2	00-941839-00003	Hub - Wash Arm.....	1
3	00-941840	Bushing - Hub (Wash Arm).....	1
4	SD-039-65	Self-Tapping Screw 10-16 x 3/8 Phil. Pan Hd., Type B.....	2
5	00-913170	Kit - Rinse Arm Assy. & Shaft (Incls. Items 7 thru 10) (Before S/N 231175022).....	1
6	00-974094	Rinse Arm Assy. (Starting S/N 231175022).....	1
7	SD-039-64	Self-Tapping Screw.....	2
8	00-941838-00001	Arm - Rinse.....	1
9		(Part No Longer Available, Order Item 5).....	1
10		(Part No Longer Available, Order Item 5).....	1
11	00-941611-00001	Wash Arm Assy. (Incls. Items 12, 13, & 14).....	1
12	SD-039-65	Self-Tapping Screw 10-16 x 3/8 Phil. Pan Hd., Type B.....	2
13	00-941840	Bushing - Hub (Wash Arm).....	1
14	00-941839-00003	Hub - Wash Arm.....	1
15	00-913170	Kit - Rinse Arm Assy. & Shaft (Incls. Items 17 thru 20) (Before S/N 231175022).....	1
16	00-974094	Rinse Arm Assy. (Starting S/N 231175022).....	1
17	SD-039-64	Self-Tapping Screw.....	2
18	00-941838-00001	Arm - Rinse.....	1
19		(Part No Longer Available, Order Item 15).....	1
20		(Part No Longer Available, Order Item 15).....	1

**THIS STYLE SHAFT
IS NO LONGER AVAILABLE,
ORDER ITEM 34**



PL-60553

**THIS STYLE SHAFT IS
NO LONGER AVAILABLE,
ORDER ITEM 34**

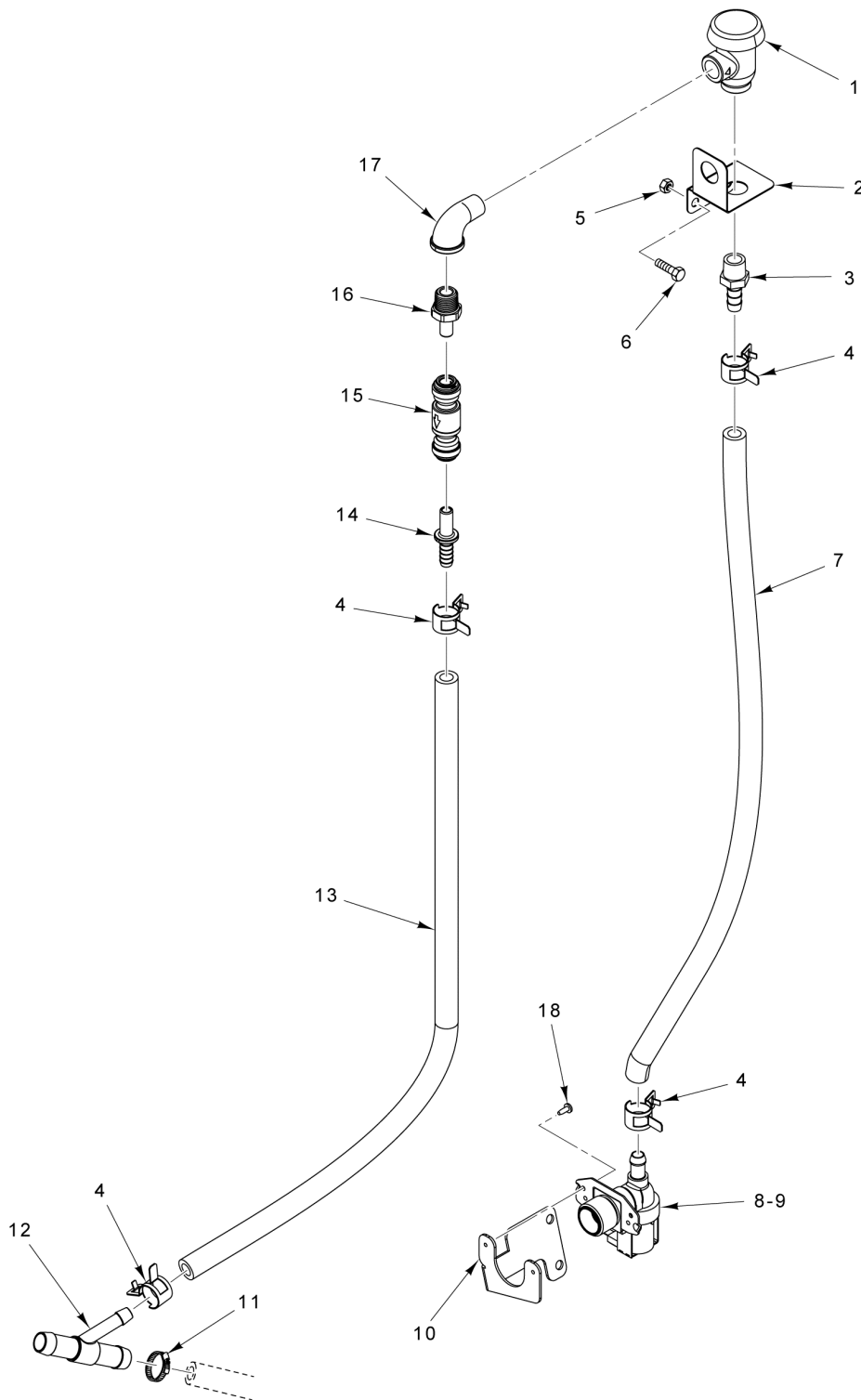
WASH PIPE ASSEMBLY

WASH PIPE ASSEMBLY

ILLUS.	PART NO.	NAME OF PART	AMT.
PL-60553			
1	00-538412	Clamp - Hose.....	1
2	00-941733	Hose - Outlet Pump.....	1
3	00-538412	Clamp - Hose.....	1
4	00-941636-00002	Wash Tube - Weldment.....	1
5	00-941641	Choke - Wash.....	1
6	SD-039-65	Self-Tapping Screw 10-16 x 3/8 Phil. Pan Hd., Type B.....	1
7	OR-001-24	O-Ring.....	1
8	00-941682	Nut - Wash.....	1
9	00-941682	Nut - Wash.....	1
10	OR-001-24	O-Ring.....	1
11	SD-039-65	Self-Tapping Screw 10-16 x 3/8 Phil. Pan Hd., Type B.....	1
12	00-941647	Retainer - Sensor (Advansys).....	1
13	SD-039-65	Self-Tapping Screw 10-16 x 3/8 Phil. Pan Hd., Type B (Advansys).....	1
14	00-941592	Sensor - Speed (Advansys).....	1
15	00-528499	Clamp - Hose.....	1
16	00-329017-00015	Hose - Rinse (Upper) (Hot).....	1
17	00-919977-00006	Hose - Rinse (Upper) (Cold).....	1
18	00-528499	Clamp - Hose.....	1
19	00-950546-00001	Manifold - Rinse (Hot).....	1
20	00-950549	Manifold - Rinse (Cold).....	1
21	00-528499	Clamp - Hose.....	1
22	00-329017-00005	Hose - Rinse (Lower) (Hot).....	1
23	00-919977-00003	Hose - Rinse (Lower) (Cold).....	1
24	00-528499	Clamp - Hose.....	1
25	00-941647	Retainer - Sensor (Advansys).....	1
26	SD-039-65	Self-Tapping Screw 10-16 x 3/8 Phil. Pan Hd., Type B (Advansys).....	1
27	00-941592	Sensor - Speed (Advansys).....	1
28	00-941877	Harness - Wire (Speed Sensors).....	1
29	00-328994	Probe Assy. - Rinse.....	1
30	00-948486	Ring - Sealing.....	2
31	SD-039-65	Self-Tapping Screw 10-16 x 3/8 Phil. Pan Hd., Type B.....	2
32	00-947883	Retainer - Rinse Shaft.....	2
33	00-949966	Shaft - Rinse (Starting S/N 231175022).....	2
34	00-913170	Kit - Rinse Arm Assy. & Shaft (Advansys) (Before S/N 231175022).....	1

WASH PUMP AND DRAIN

ILLUS.	PART NO.	NAME OF PART	AMT.
PL-60551			
1	01-240296-00001	Ring.....	1
2	00-942093	Gasket - Wash Pump.....	1
3	01-515055-00001	Nut.....	1
4	01-240003-00002	Strainer - Sieve (Fine).....	1
5	00-528499	Clamp - Hose.....	1
6	00-918217	Tee - Check Valve.....	1
7	00-949440	Hose - Drain.....	1
8	00-941796	Bolt - Damper Carriage.....	1
9	01-240186-00001	Damper - Vibration.....	1
10	00-557627	Clamp - Hose.....	1
11	WS-017-06	Washer (SST).....	1
12	NS-047-82	Stop Nut 1/4-20 Hex (SST).....	1
13	00-942101-00002	Capacitor (120 V., 60 Hz., 1 Ph.).....	1
14	00-942101-00001	Capacitor (208-240 V., 50/60 Hz., 1 Ph.).....	1
15	00-942100-00001	Pump - Drain (60 Hz.).....	1
16	00-942100-00002	Pump - Drain (50 Hz.).....	1
17	00-942095-00001	Pump Assy. (Wash) (120 V., 60 Hz., 1 Ph.) (LXeC, LXePR, LXGePR, LXeSPR) (Incls. Items 13, & 15).....	1
18	00-942095-00002	Pump Assy. (Wash) (208-240 V., 60 Hz., 1 Ph.) (LXeH, LXeR, LXGeR, LXeSR) (Incls. Items 14, & 15).....	1
19	00-941882	Harness - Wire (Pump).....	1
20	00-528499	Clamp - Hose.....	1
21	00-292856-00002	Hose - Drain (84 In.).....	1
22	00-476664-00001	Spring - Drain Hose.....	1

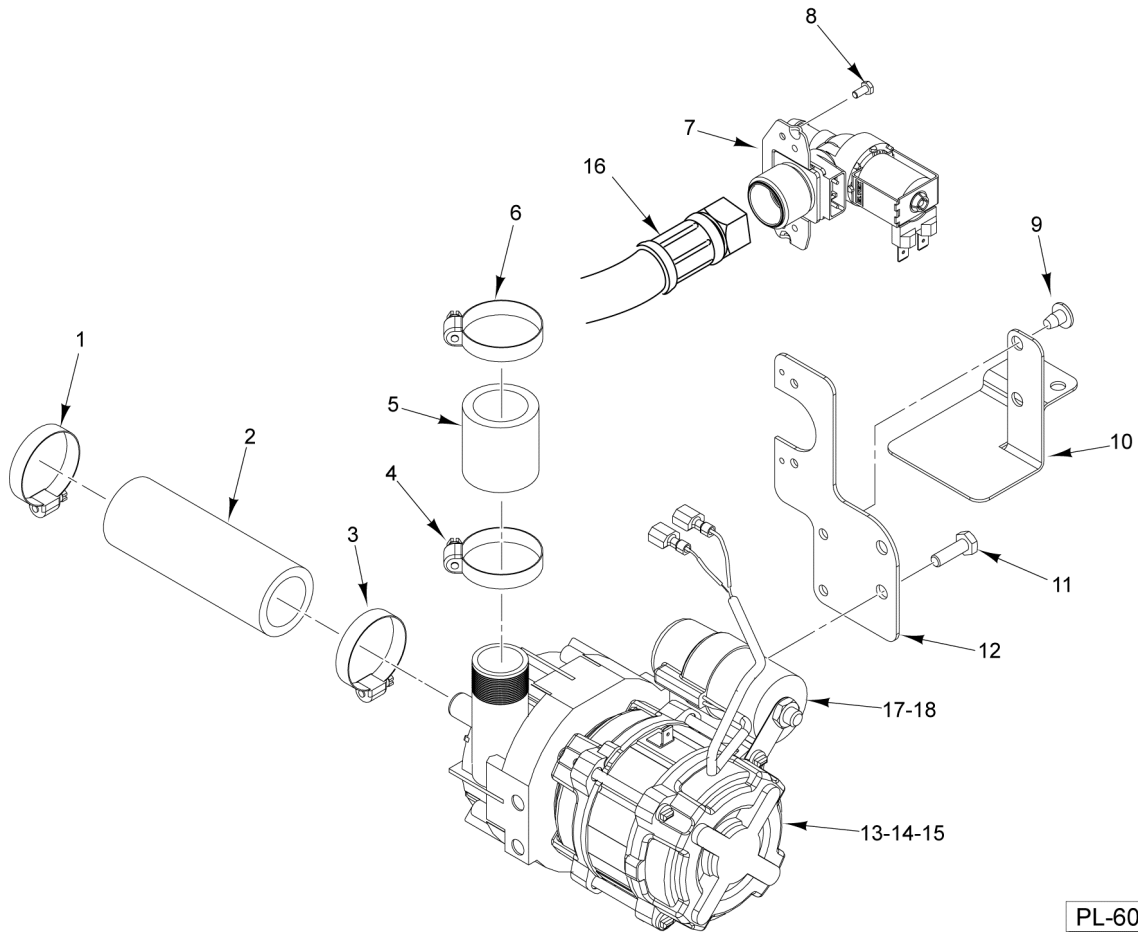


PL-60359

DRAIN WATER TEMPERING

DRAIN WATER TEMPERING

ILLUS.	PART NO.	NAME OF PART	AMT.
PL-60359			
1	00-271008	Vacuum Breaker (3/8 In.).....	1
2	00-942104	Mount - Breaker.....	1
3	FP-090-30	Fitting - Hose 3/8 to 3/8 NPT (Brass).....	1
4	00-558090	Clamp.....	4
5	NS-047-82	Stop Nut 1/4-20 Hex (SST).....	4
6	SC-041-50	Cap Screw 1/4-20 x 1/2 Hex Hd. (SST).....	4
7	00-941726-00009	Hose 3/8 x 22.....	1
8	00-941798	Valve (Deltrol).....	1
9	00-947823	Harness - Wiring.....	1
10	00-942103	Bracket - Pump.....	1
11	00-528499	Clamp - Hose.....	2
12	00-942160	Adapter - Tee.....	1
13	00-941726-00010	Hose 3/8 x 26-1/2.....	1
14	FP-091-34	Fitting 3/8 Stem x 3/8 Barb.....	1
15	FP-091-35	Valve - Check (3/8 In.) (Quick Connect).....	1
16	FP-091-33	Fitting 3/8 NPT x 3/8 Stem.....	1
17	FP-015-10	Elbow - Street 3/8 x 90 Deg.....	1
18	SD-008-17	Self-Tapping Screw 6-20 x 3/8 Phil. Bndg. Hd., Type B.....	2

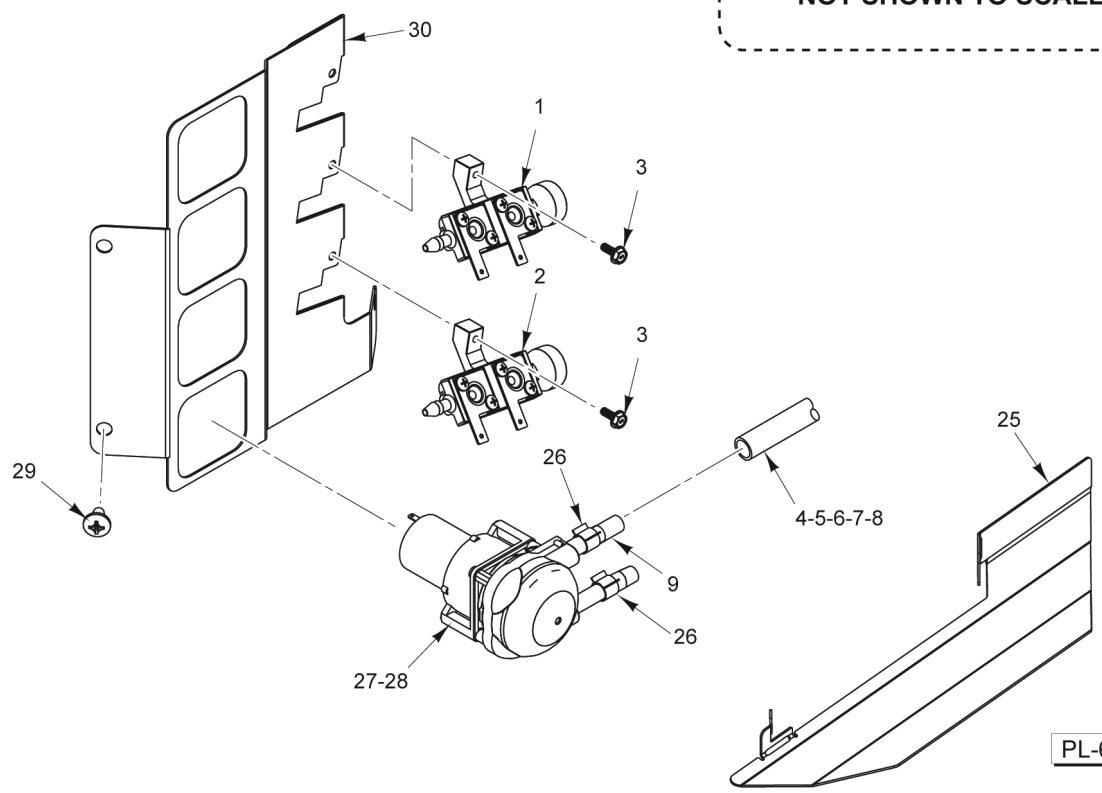
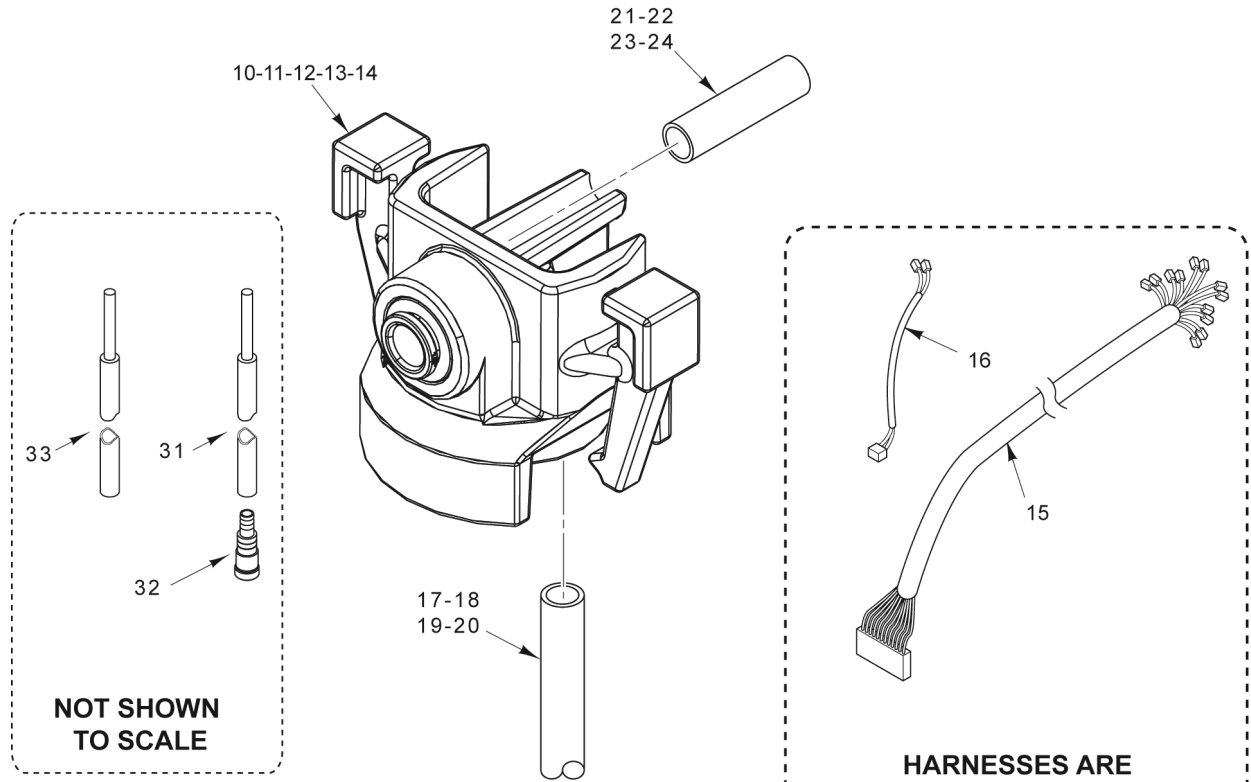


PL-60556

RINSE PUMP

RINSE PUMP

ILLUS.	PART NO.	NAME OF PART	AMT.
PL-60556			
1	00-557627	Clamp - Hose.....	1
2	00-941731-00002	Hose - Inlet (4 In.).....	1
3	00-557627	Clamp - Hose.....	1
4	00-557627	Clamp - Hose.....	1
5	00-941731-00001	Hose - Outlet (1-3/4 In.).....	1
6	00-557627	Clamp - Hose.....	1
7	00-941798	Valve (Deltrol).....	1
8	SD-008-17	Self-Tapping Screw 6-20 x 3/8 Phil. Bndg. Hd., Type B.....	2
9	SD-035-77	Self-Tapping Screw 1/4-20 x 3/8 Phil. Pan Hd., Type TT.....	2
10	00-941771	Bracket - Pump (Rinse).....	1
11	SC-120-48	Cap Screw M6 x 1.0 x 18mm Hex Hd. (SST).....	2
12	00-941794	Mount - Fill Valve.....	1
13	00-942096-00001	Pump - Rinse (120 V.) (LXeC, LXePR, LXGePR, LXeSPR).....	1
14	00-942096-00002	Pump - Rinse (208-240 V., 60 Hz.) (LXeH, LXeR, LXGeR, LXeSR).....	1
15	00-949691	Cover - Mylar (Rinse Pump).....	1
16	00-293408	Hose - Fill Assy.....	1
17	00-942101-00004	Capacitor (120 V.) (Incls. Hardware).....	1
18	00-942101-00003	Capacitor (208-240 V.) (Incls. Hardware).....	1
	00-292787	Filter - Fill Hose Assy. (Not pictured).....	1
	00-949691	Cover - Mylar (Not pictured).....	1



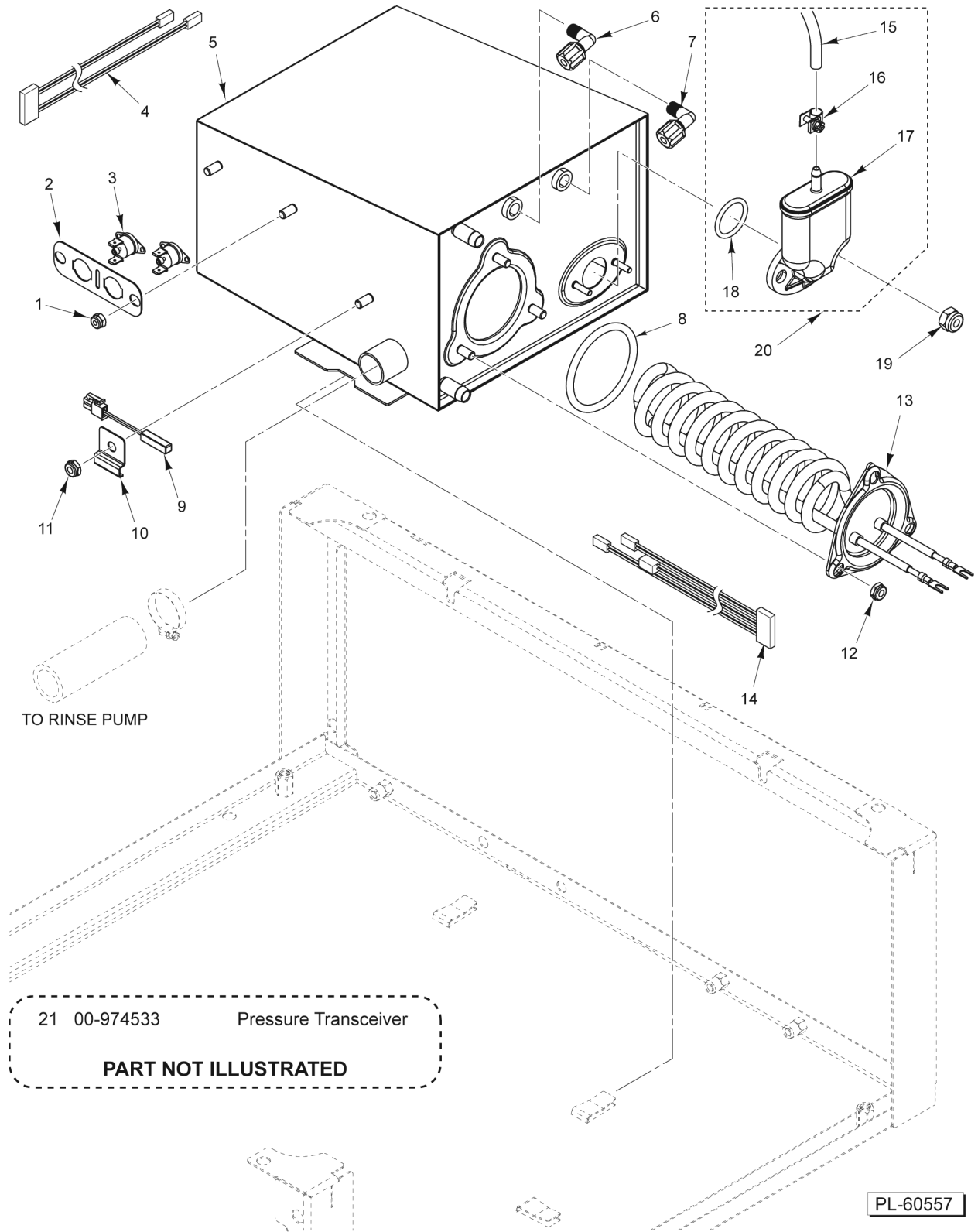
PL-60559

CHEMICAL PUMPS AND SENSORS

CHEMICAL PUMPS AND SENSORS

ILLUS. PL-60559	PART NO.	NAME OF PART	AMT.
1	00-950372-00002	Sensor (Chemical) (Detergent/Sanitizer).....	1
2	00-950372-00003	Sensor (Chemical) (Rinse Aid).....	1
3	SD-039-64	Self-Tapping Screw.....	2
4	00-185105-00029	Tubing (Black) (144 In.) (Supply to Delime Pump).....	AR
5	00-185105-00004	Tube - Clear (Supply to Pump) (1/4 O.D. x 144 Lg.) (Pump to Sanitizer).....	AR
6	00-185105-00004	Tube - Clear (Supply to Pump) (1/4 O.D. x 144 Lg.) (Pump to R/A Cold).....	AR
7	00-185105-00004	Tube - Clear (Supply to Pump) (1/4 O.D. x 144 Lg.) (Pump to R/A Hot).....	AR
8	00-185105-00004	Tube - Clear (Supply to Pump) (1/4 O.D. x 144 Lg.) (Pump to Delime Cold).....	AR
9	00-949651-00001	Tubing Kit (Includes Spring, Clamp, & Tube) (Used on Welco Pumps Only).....	AR
10	00-949306-00002	Cap - Chemical Bottle.....	AR
11	00-950025-00001	Cap Assy. - Chemical Bottle (Detergent) (Incls. Items 10, 17, & 21).....	AR
12	00-950025-00002	Cap Assy. - Chemical Bottle (Sanitizer) (Incls. Items 10, 18, & 22).....	AR
13	00-950025-00003	Cap Assy. - Chemical Bottle (Rinse Aid) (Incls. Items 10, 19, & 23).....	AR
14	00-950025-00004	Cap Assy. - Chemical Bottle (Delime) (Incls. Items 10, 20, & 24).....	AR
15	00-941871	Harness - Wire (Chemical Pumps & Sensors).....	1
16	00-941876	Harness - Wire (Delime Pump) (Advansys Only).....	1
17	00-185105-00002	Tube - Red (Supply to Pump) (1/4 O.D. x 144 Lg.).....	AR
18	00-185105-00006	Tube - Blue (Supply to Pump) (1/4 O.D. x 144 Lg.).....	AR
19	00-185105-00029	Tubing (Black) (144 In.).....	AR
20	00-185105-00004	Tube - Clear (Supply to Pump) (1/4 O.D. x 144 Lg.).....	AR
21	00-185105-00039	Tubing (Red) (1 In.).....	AR
22	00-185105-00041	Tubing (Blue) (1 In.).....	AR
23	00-185105-00042	Tubing (Black) (1 In.).....	AR
24	00-185105-00040	Tubing (Clear) (1 In.).....	AR
25	00-950297	Drip Pan.....	1
26	00-113156-00001	Clamp - Spring Action Hose.....	2
27	00-941638-00002	Pump - Chemical (Blue) (Incls. Item 9).....	AR
28	00-941638-00004	Pump - Chemical (Green) (Delime) (Advansys Only) (Incls. Item 9).....	1
29	SD-035-77	Self-Tapping Screw 1/4-20 x 3/8 Phil. Pan Hd., Type TT.....	2
30	00-941758	Bracket - Chemical Pump.....	1
*31	00-975025	Assy. - Foot Valve (Incls. Item 32).....	1
*32	00-975029	Valve - Foot.....	1
*33	00-975024	Assy. - Suction Strainer.....	1
34	00-185105-00006	Tube - Blue (Supply to Pump) (1/4 O.D. x 144 Lg.) (Pump to Rinse Aid).....	AR
35	00-185105-00002	Tube - Red (Supply to Pump) (1/4 O.D. x 144 Lg.) (Pump to Detergent).....	AR

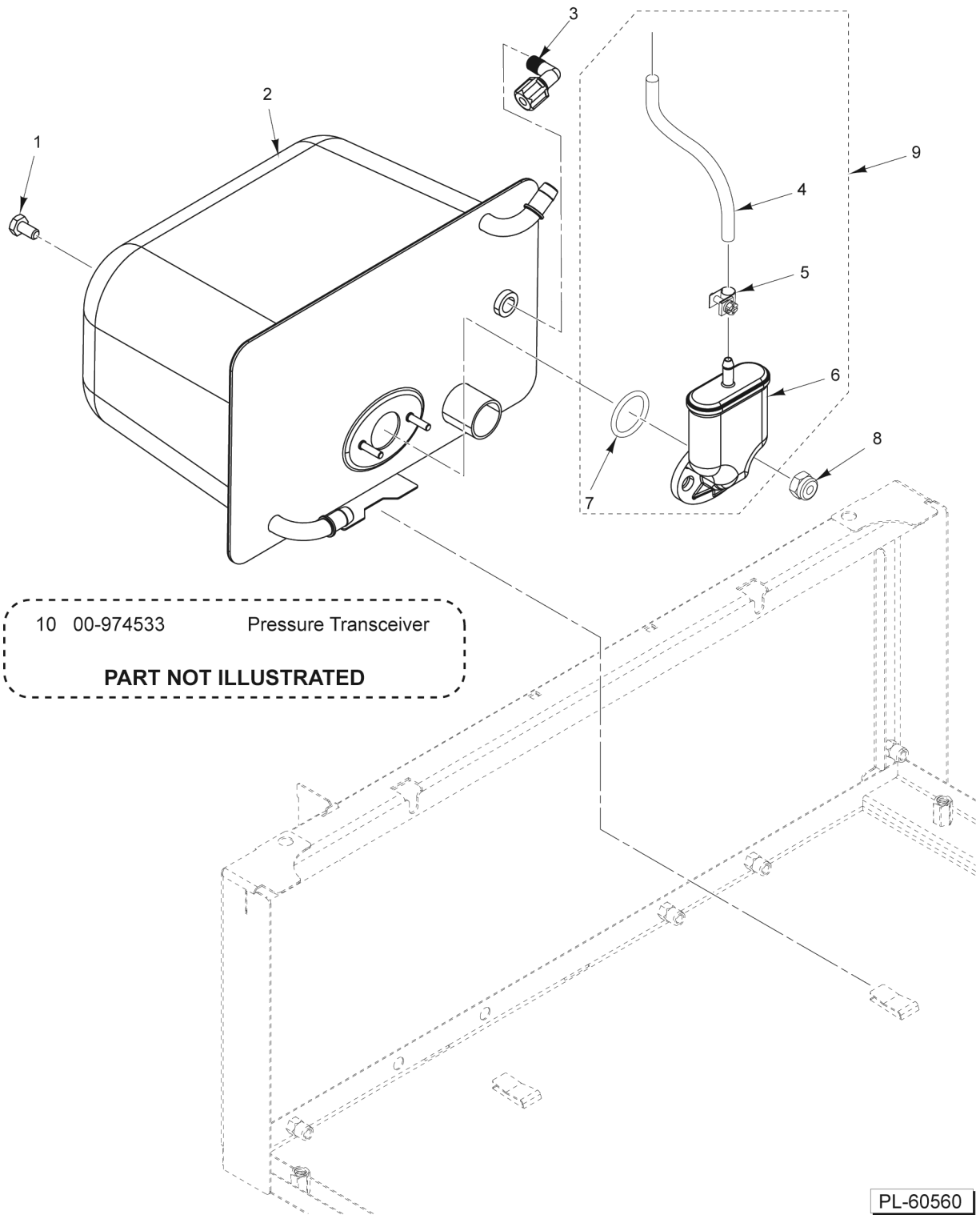
* LXGePR Only



BOOSTER ASSEMBLY (HOT)

BOOSTER ASSEMBLY (HOT)

ILLUS.	PART NO.	NAME OF PART	AMT.
PL-60557			
1	NS-047-82	Stop Nut 1/4-20 Hex (SST).....	2
2	00-941630	Bracket - High Limit.....	1
3	00-942185	Protector - High Limit.....	2
4	00-941872	Harness - Wire (High Limit).....	1
5	00-941776-00002	Booster - Weldment.....	1
6	FP-087-46	Fitting - Tube 1/4.....	1
7	FP-087-46	Fitting - Tube 1/4.....	1
8	00-067500-00034	O-Ring.....	1
9	00-941747	Thermistor.....	1
10	00-941793	Bracket - Thermistor.....	1
11	NS-047-82	Stop Nut 1/4-20 Hex (SST).....	1
12	NS-047-82	Stop Nut 1/4-20 Hex (SST).....	3
13	00-941770-00001	Element - Heater (208-240 V., 1 Ph.).....	1
14	00-941873	Harness - Wire (Temperature Probes).....	1
15	00-974388-00004	Tube - PVC.....	1
16	00-113156-00001	Clamp - Spring Action Hose.....	2
17	00-942151-00001	Trap - Air.....	1
18	OR-001-21	O-Ring.....	1
19	NS-047-82	Stop Nut 1/4-20 Hex (SST).....	2
20	00-950051-00002	Kit - Tubing (Incls. Items 15, 16, 17, 18, & 21).....	1
21	00-974533	Pressure Transducer.....	1

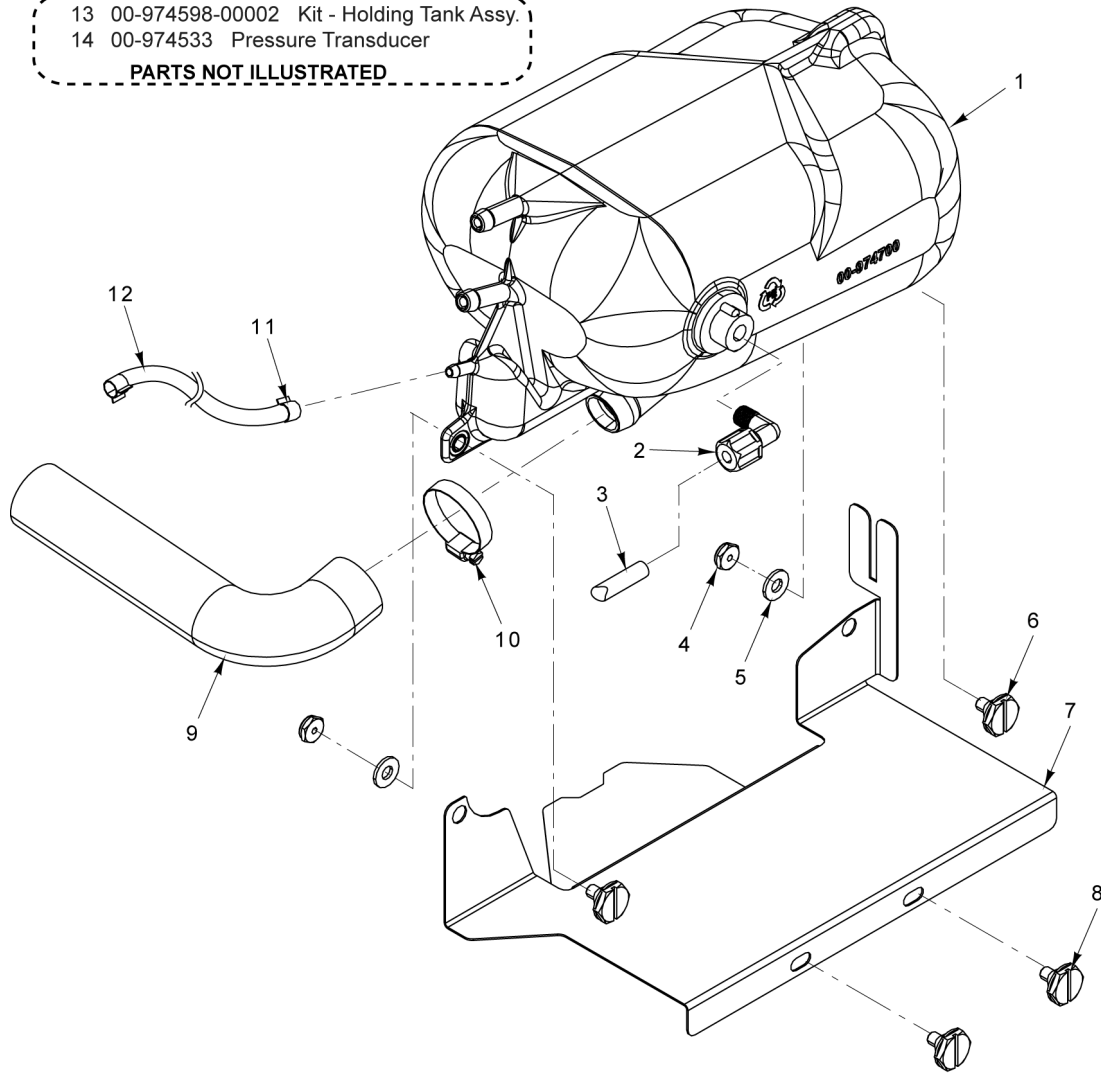


RECOVERY TANK ASSEMBLY (COLD)

RECOVERY TANK ASSEMBLY (COLD)

ILLUS.	PART NO.	NAME OF PART	AMT.
1	SC-041-50	Cap Screw 1/4-20 x 1/2 Hex Hd. (SST).....	2
2	00-974598-00002	Kit - Holding Tank Assy.....	1
3	FP-087-46	Fitting - Tube 1/4.....	1
4	00-974388-00004	Tube - PVC (Incls. Item 5) (Cut to 33 In.).....	1
5	00-113156-00001	Clamp - Spring Action Hose.....	2
6	00-942151-00001	Trap - Air.....	1
7	OR-001-21	O-Ring.....	1
8	NS-047-82	Stop Nut 1/4-20 Hex (SST).....	2
9	00-950051-00002	Kit - Tubing (Incls. Items 4, 5, 6, 7, & 10).....	1
10	00-974533	Pressure Transducer.....	1

13 00-974598-00002 Kit - Holding Tank Assy.
14 00-974533 Pressure Transducer
PARTS NOT ILLUSTRATED



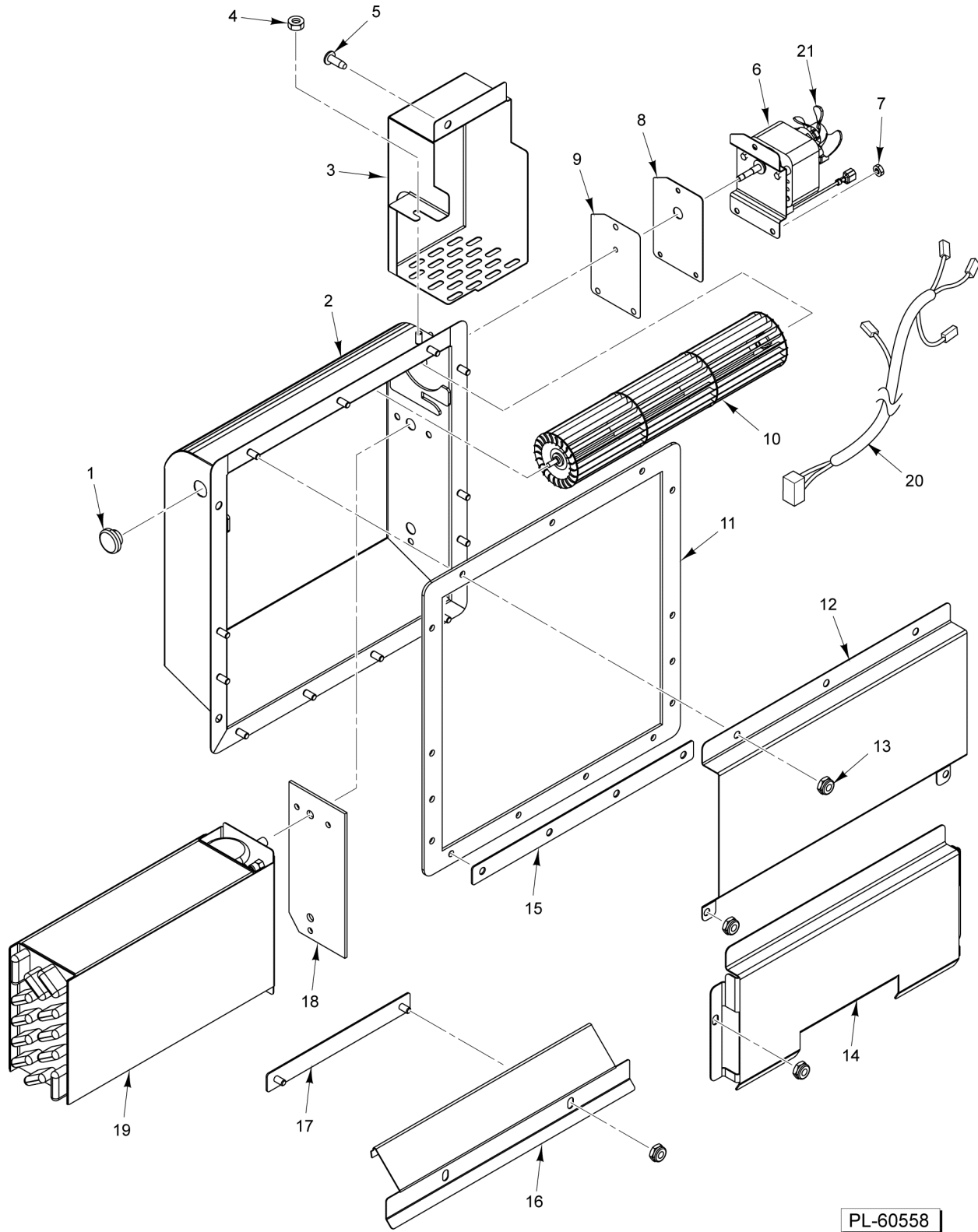
PL-65059

**RECOVERY TANK ASSEMBLY
(COLD) MOLDED TANK**

**RECOVERY TANK ASSEMBLY
(COLD) MOLDED TANK**

ILLUS.	PART NO.	NAME OF PART	AMT.
PL-65059			
1	00-974700	Tank - Recovery.....	1
2	FP-087-46	Fitting - Tube 1/4.....	1
3	00-185105-00043	Tube - Pump to Recover Assy.....	1
4	NS-047-82	Stop Nut 1/4-20 Hex (SST).....	2
5	WS-017-06	Washer (SST).....	2
6	SC-041-05	Cap Screw 1/4-20 x 5/8 Hex Hd. (SST).....	2
7	00-974692	Mount - Booster.....	1
8	SC-041-50	Cap Screw 1/4-20 x 1/2 Hex Hd. (SST).....	2
9	00-974599	Hose - Rinse Pump Inlet.....	1
10	00-557627	Clamp - Hose.....	1
11	00-113156-00001	Clamp - Spring Action Hose.....	2
12	00-974388-00003	Tube - PVC (28").....	1
*13	00-974598-00002	Kit - Holding Tank Assy. (Incls. Items 1 thru 12).....	1
14	00-974533	Pressure Transducer.....	1

* Order Kit to Replace SST Tank Only. Order Failed Components if Molded Tank is Installed

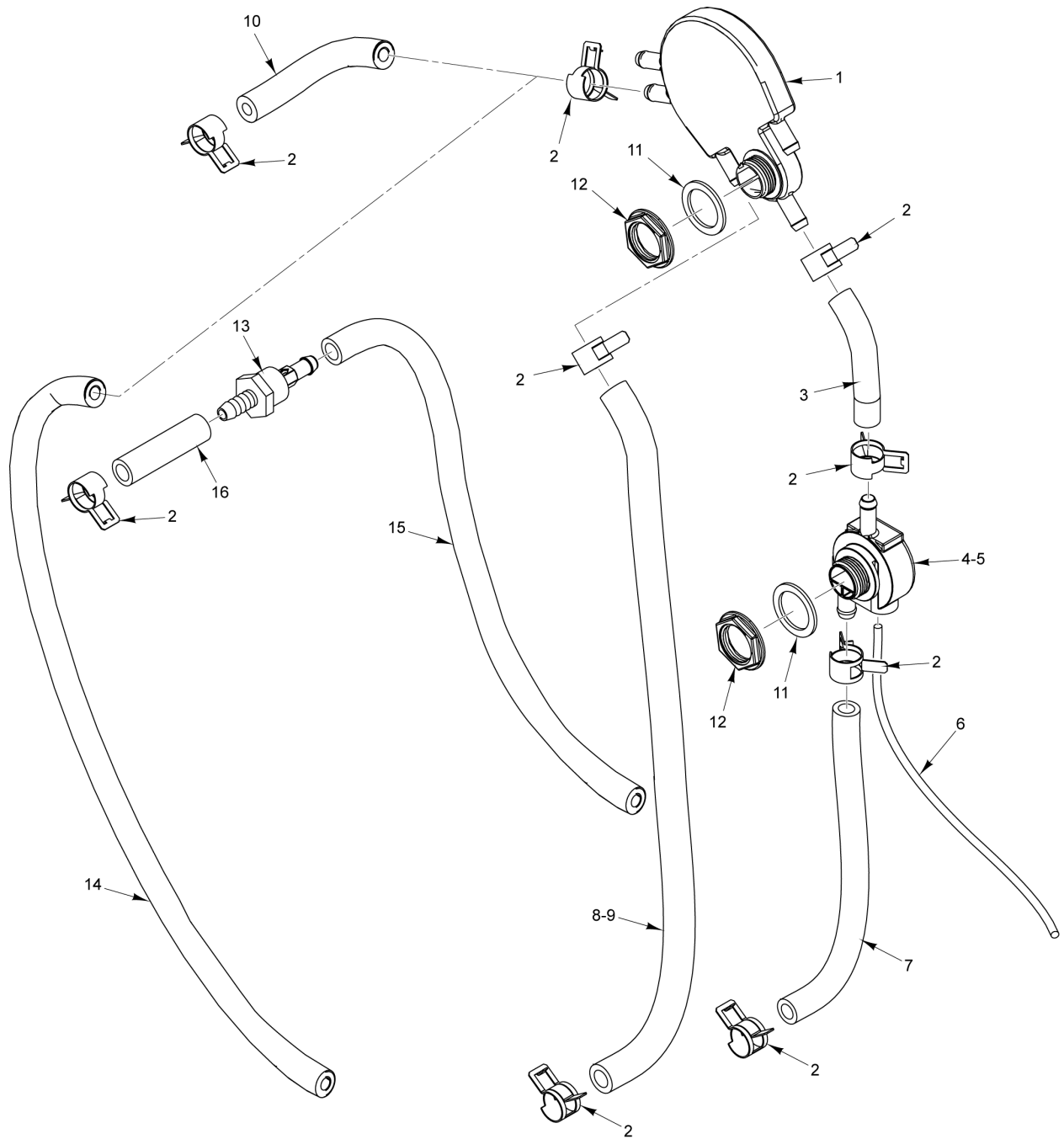


PL-60558

VAPOR ELIMINATOR ASSEMBLY

VAPOR ELIMINATOR ASSEMBLY

ILLUS.	PART NO.	NAME OF PART	AMT.
PL-60558			
1	00-941452	Bearing - Fan Wheel.....	1
2	00-949301	Enclosure - Vapor Condenser.....	1
3	00-949304	Cover - Motor.....	1
4	NS-047-82	Stop Nut 1/4-20 Hex (SST).....	1
5	SC-041-50	Cap Screw 1/4-20 x 1/2 Hex Hd. (SST).....	1
6	00-941538	Motor Assy. (Incls. Item 21).....	1
7	NS-031-15	Stop Nut 10-24 Hex (SST).....	3
8	00-941535	Plate - Seal.....	1
9	00-941536	Seal - Fan Shaft.....	1
10	00-941451	Wheel - Fan.....	1
11	00-949303	Seal - Vapor Box.....	1
12	00-941564	Baffle - Upper.....	1
13	NS-047-82	Stop Nut 1/4-20 Hex (SST).....	AR
14	00-949307	Baffle - Lower.....	1
15	00-941412	Plate - Reinforcement.....	1
16	00-941446	Channel - Fan.....	1
17	00-941749	Mount - Fan Channel.....	1
18	00-941533	Seal - Heat Exchanger.....	1
19	00-941531	Heat Exchanger - Vapor Eliminator.....	1
20	00-941884	Harness - Wire (Steam Elimination).....	1
21	00-949859	Fan - Cooling.....	1

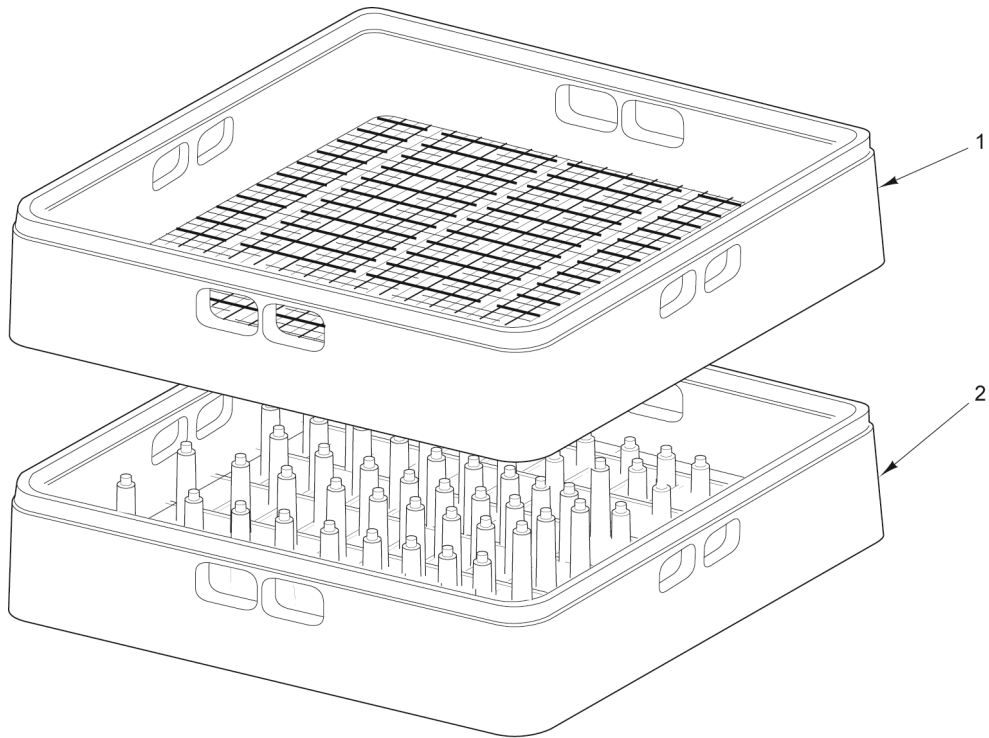


PL-60561

FILL AIR GAP

FILL AIR GAP

ILLUS.	PART NO.	NAME OF PART	AMT.
PL-60561			
1	00-950027	Fill - Air Assy. (Incls. Label).....	1
2	00-558090	Clamp.....	AR
3	00-941726-00014	Hose 3/8 (3.75 In. Lg.).....	AR
4	00-941772-00001	Adapter - Chemical.....	1
5	00-941772-00002	Adapter - Chemical (Cold).....	1
6	00-185105-00030	Tubing (Clear) (17.5 In.).....	AR
7	00-941726-00003	Hose 3/8 (9 In. Lg.).....	AR
8	00-941726-00002	Hose 3/8 (19.88 In. Lg.) (LXGeR).....	AR
9	00-941726-00017	Hose 3/8 (28 In. Lg.) (LXGePR).....	AR
10	00-941726-00003	Hose 3/8 (9 In. Lg.) (LXGeR).....	AR
11	00-941940	Washer - Air Gap.....	2
12	00-974952	Nut - Adapter.....	2
13	00-941416	Restrictor - Flow.....	1
14	00-941726-00001	Hose 3/8 (23.62 In. Lg.) (LXGePR).....	AR
15	00-941726-00015	Hose 3/8 (13.50 In. Lg.) (LXGeR).....	AR
16	00-941726-00004	Hose 3/8 (3.5 In. Lg.) (LXGeR).....	AR



3	00-329313	Paper - Litmus (Vial)
4	00-947876	Base - LXe (Complete)
5	00-293624-00002	Sleeve/Foot - Leg Assy. (6 In.)
6	00-974427-00001	Cover - Spray Rack
7	00-974427-00002	Cover - Spray
8	00-948141	LXe 17 In. Stand W/Legs
9	00-950693-00001	Caster Assy. (Individual)
10	00-948383	Caster Kit (Adjustable)
11	00-950266	Rack - Glass

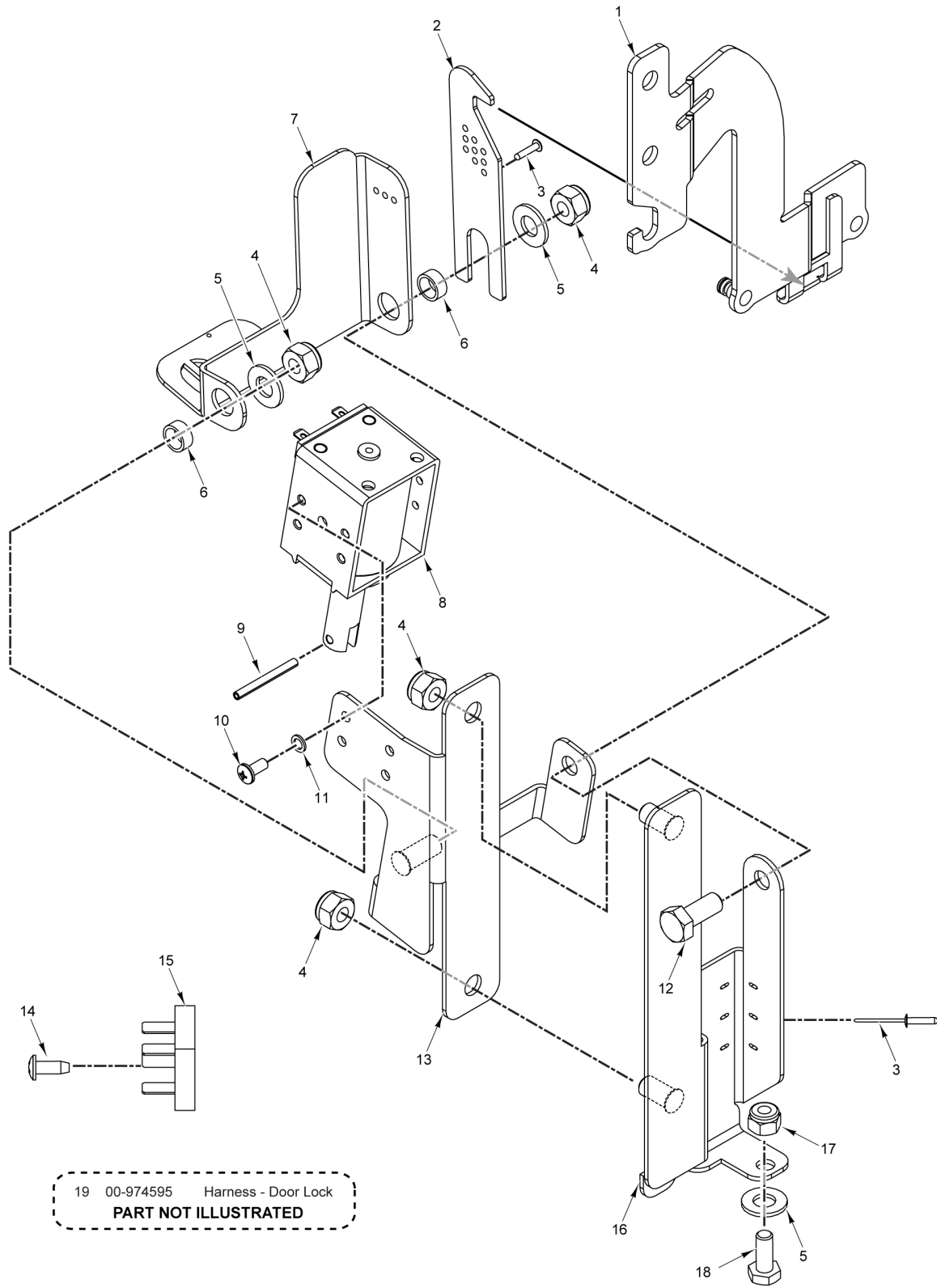
PARTS NOT ILLUSTRATED

PL-60917

MISCELLANEOUS

MISCELLANEOUS

ILLUS.	PART NO.	NAME OF PART	AMT.
PL-60917			
1	00-315193	Rack - Combination (Packaged).....	1
2	00-315191	Rack - Peg (Packaged).....	1
3	00-329313	Paper - Litmus (Vial) (100 Strips 2-1/4 Lg.).....	1
4	00-947876	Base - LXe, Complete.....	1
5	00-293624-00002	Sleeve/Foot, Leg Assy, 6".....	1
6	00-974427-00001	Cover, Spray, Rack.....	1
7	00-974427-00002	Cover, Spray.....	1
8	00-948141	LXe 17 Inch Stand W/Legs.....	1
9	00-950693-00001	Caster Assy (Individual).....	1
10	00-948383	Caster Kit (Adjustable).....	1
11	00-950266	Rack, Glass.....	1



AI4461

DOOR LOCK

DOOR LOCK

ILLUS.	PART NO.	NAME OF PART	AMT.
PL-AI4461			
1	00-974693	Weldment - Door Stop.....	1
2	00-974698	Bracket - Lock.....	1
3	RS-033-22	Rivet - Pop 0.094 x 0.126 - 0.25 (Steel).....	4
4	NS-036-19	Stop Nut 5/16-18 Hex (SST).....	4
5	WS-005-32	Washer (SST).....	4
6	00-893014-00002	Spacer - Door Link (Lower).....	2
7	00-974697	Pivot - Solenoid.....	1
8	00-949046-00001	Solenoid (110 VDC, 3/4 In. Travel).....	1
9	RP-003-21	Pin - Roll 1/8 In.....	1
10	SC-120-35	Mach. Screw 8-32 x 3/8 Phil. Pan Hd. (SST).....	4
11	WL-006-01	Lockwasher #8 Helical (SST).....	4
12	SC-041-11	Cap Screw 5/16-18 x 3/4 Hex Hd. (SST).....	1
13	00-974696-00001	Weldment - Solenoid Plate.....	1
14	SD-008-25	Self-Tapping Screw 10-16 x 1/2 Phil. Pan Hd., Type B.....	1
15	00-473660	Rectifier.....	1
16	00-974699	Support - Leg.....	1
17	NS-047-82	Stop Nut 1/4-20 Hex (SST).....	1
18	SC-041-05	Cap Screw 1/4-20 x 5/8 Hex Hd. (SST).....	1
19	00-974595	Harness - Door Lock.....	1

