



CATALOG OF REPLACEMENT PARTS

PW PREP WASHERS



PW20ER Shown



PW10ER Shown

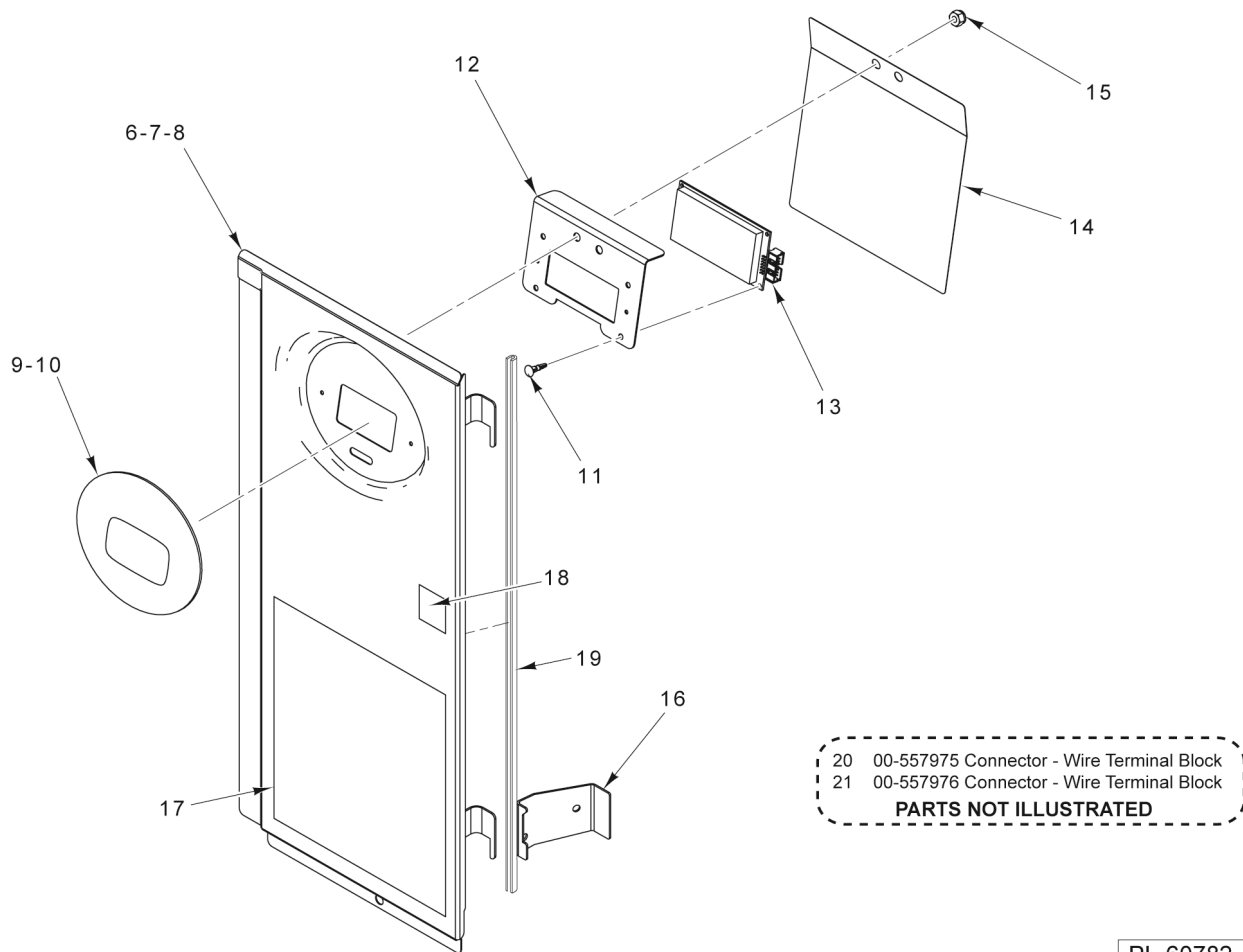
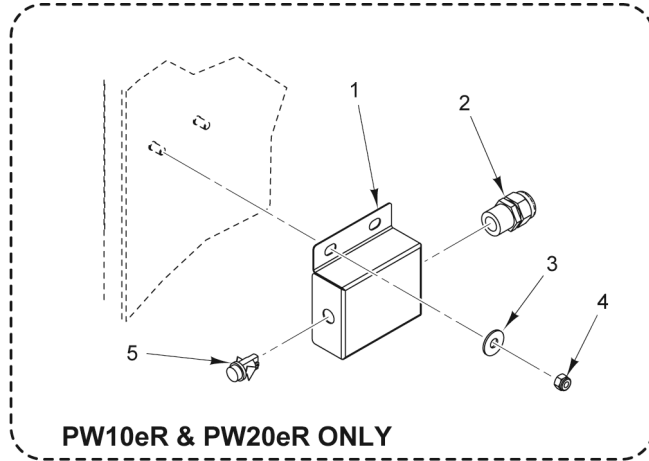
28917

ML-130290
ML-130291
ML-130292
ML-130293
ML-130346
ML-130347

PW10
PW10eR
PW20
PW20eR
PWV
PWVeR

Table of Contents

5	CONTROLS
7	ELECTRICAL COMPONENTS
9	HARNESSES
11	HARNESSES (CONTINUED-1)
13	HARNESSES (CONTINUED-2)
15	LEAD WIRE ASSEMBLY
17	CABLES
19	CABLES (CONTINUED)
21	PANELS AND SCREENS
23	DOOR ASSEMBLY
25	DOOR LOWERING KIT (OPTIONAL ACCESSORY)
27	RACK ASSEMBLY (PW10)
29	RACK ASSEMBLY (PW20)
31	TANK HEAT
33	RINSE PUMP & BOOSTER ASSEMBLY (PW10)
35	RINSE PUMP & BOOSTER ASSEMBLY (PW20)
37	FILL UNIT
39	WASH & PUMP ASSEMBLY (PW10)
41	WASH & PUMP ASSEMBLY (PW20)
43	DRAIN ASSEMBLY (PW10)
45	DRAIN ASSEMBLY (PW20)
47	DRAIN WATER TEMPERING
49	ENERGY RECOVERY UNIT
51	EXHAUST VENT ASSEMBLY
53	RACK, CABLES, SHELF, AND MISCELLANEOUS (PWV)
55	DOOR, PULLEYS, AND WEIGHTS (PWV)

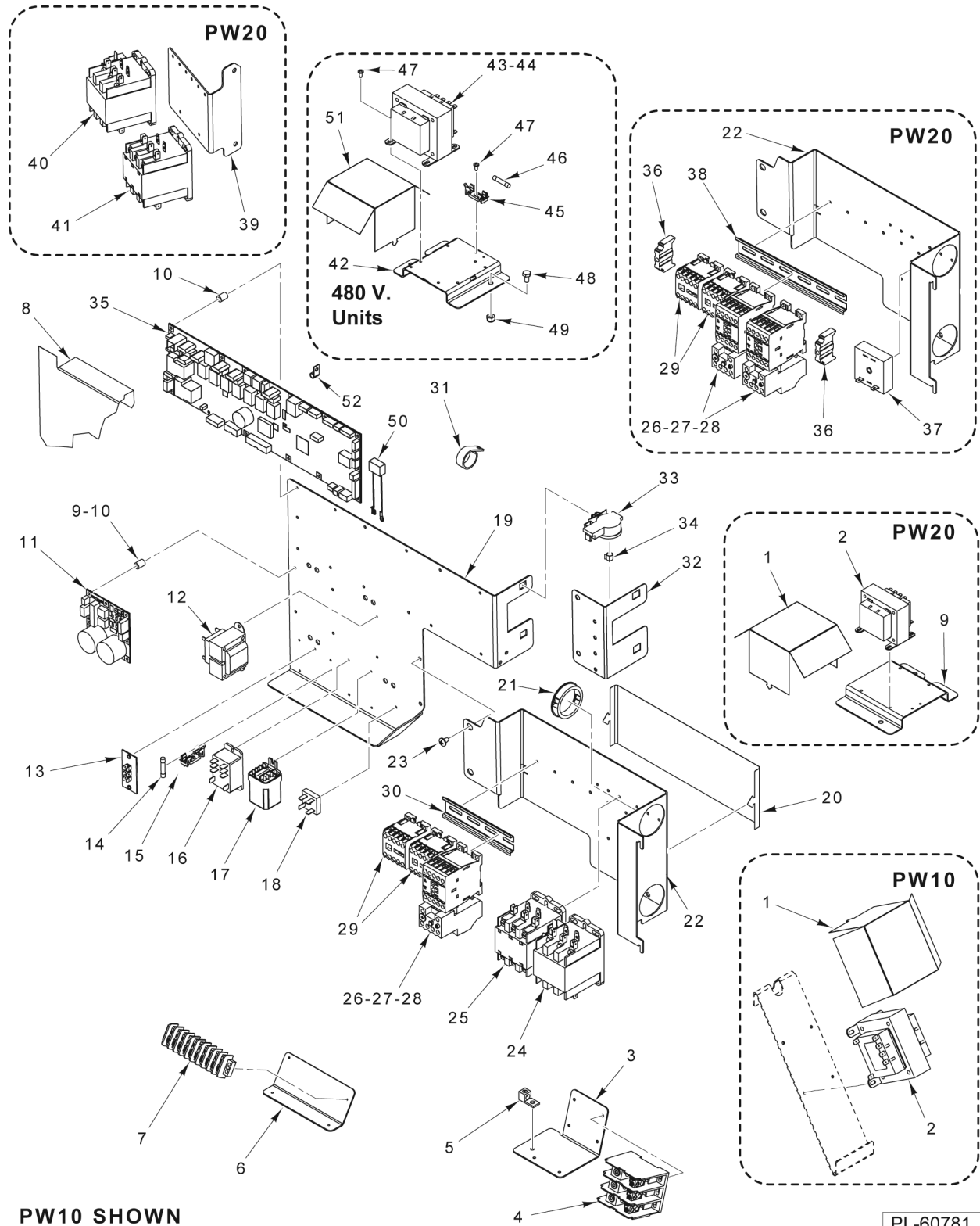


PL-60782

CONTROLS

CONTROLS

ILLUS.	PART NO.	NAME OF PART	AMT.
PL-60782			
1	00-950403	Enclosure - Warning Light.....	1
2	FE-022-84	Connector - Strain Relief.....	1
3	WS-017-01	Washer 0.328 x 0.875 x 0.062 (SST).....	2
4	NS-047-82	Stop Nut 1/4-20 Hex (SST).....	2
5	00-941175-00003	Light - Indicator Amber.....	1
6	00-948746-00001	Keypad Panel Assy. (Standard) (Incls. Items 8, 9, & 11 thru 15).....	1
7	00-948746-00002	Keypad Panel Assy. (Advansys) (Incls. Items 8 & 10 thru 15).....	1
8	00-948769	Control Door.....	1
9	00-948626-00002	Membrane - Keypad (Standard).....	1
10	00-948626-00001	Membrane - Keypad (Advansys).....	1
11	00-941790-00001	Clip - Board.....	4
12	00-948707	Bracket - Display Mount.....	1
13	00-941548-00002	Display - Graphic.....	1
14	00-974050	Cover - Display.....	1
15	NS-047-82	Stop Nut 1/4-20 Hex (SST).....	2
16	00-974038	Hinge.....	2
17	0F-047571	Label (Information).....	1
18	00-935986	Label - Energy Star.....	1
19	00-557960	Grommet.....	2
20	00-557975	Connector - Wire Terminal Block (3 Connector).....	1
21	00-557976	Connector - Wire Terminal Block (2 Connector).....	1



ELECTRICAL COMPONENTS

ELECTRICAL COMPONENTS

ILLUS.	PART NO.	NAME OF PART	AMT.
PL-60781			
1	00-950229	Cover - Mylar.....	2
2	00-294500-052-1	Transformer (100 VA.) (50/60 Hz.).....	1
3	00-948998	Bracket - Mount.....	1
4	00-949047	Block - Terminal (175 Amp.).....	1
5	00-118544-00002	Lug - Grounding.....	1
6	00-948996	Bracket - Mount.....	1
7	00-949045	Block - Terminal (2-Row, 600 V.).....	1
8	00-949013	Mylar - Control Board.....	1
9	00-948997	Bracket - Mounting.....	1
10	00-329056-00001	Standoff (PW20).....	AR
11	00-941941	Board - Power Supply.....	1
12	00-941947	Transformer (24 V., 30 Amp.).....	1
13	00-294325-00009	Terminal Board Assy.....	2
14	FE-022-29	Fuse (250 V.) (1 Amp.).....	1
15	00-294436-00003	Block - Fuse.....	1
16	00-087714-046-1	Relay (2-Pole) (30 Amp.).....	1
17	00-949011	Relay (DPDT).....	1
18	00-473660	Rectifier (Previous Construction).....	1
19	00-949109	Plate - Base (Controls).....	1
20	00-974117	Mylar - Contactor.....	1
21	FE-024-23	Bushing - Electrical (Snap).....	2
22	00-949110	Plate - Base (Contactor).....	1
23	SD-035-77	Self-Tapping Screw 1/4-20 x 3/8 Phil. Pan Hd., Type TT.....	2
24	00-087713-018-2	Contactor (W/Aux. Switch) (40 Amp., 3-Pole) (PW10).....	1
25	00-918322	Contactor (40 Amp., 3-Pole) (PW10).....	1
26	00-949891	Contactor.....	AR
27	00-949362-00009	Relay - Overload (208/240 V. Only).....	AR
28	00-949362-00008	Relay - Overload (480 V.).....	AR
29	00-948104	Contactor (8 Amp., 3-Pole).....	2
30	00-948824-00002	Rail - Din (5-3/8 In.) (PW10).....	1
31	00-294677-00004	Clamp - Wire (1 I.D.).....	9
32	00-974378	Bracket - Mount (Pressure Sensor).....	1
33	00-974533	Pressure Transducer.....	2
34	00-113156-00001	Clamp - Spring Action Hose.....	2
35	00-941944-00004	Board - Master.....	1
36	00-949805	Stop - End (PW20).....	2
37	00-087714-031-2	Relay - Time Delay (5 Sec.) (PW20).....	1
38	00-948824-00003	Rail - Din (8-1/4 In.) (PW20).....	1
39	00-948995	Bracket - Mount (PW20).....	1
40	00-087713-018-2	Contactor (W/Aux. Switch) (40 Amp., 3-Pole) (PW20).....	1
41	00-918322	Contactor (40 Amp., 3-Pole) (PW20).....	1
42	00-949041	Bracket - Mount (480 V. Units).....	1
43	00-294500-00053	Transformer 500 VA (208-240/480 V.) (480 V. eR Models Only).....	1
44	00-949038-00037	Wire - Jumper (480 V. eR Models Only).....	1
45	00-294436-00003	Block - Fuse (480 V. eR Models Only).....	1
46	FE-023-25	Fuse (5.0 Amp., 250 V.) (480 V. eR Models Only).....	1
47	SD-008-18	Self-Tapping Screw 8-18 x 3/8 Phil. Bndg. Hd., Type B.....	3
48	SC-041-50	Cap Screw 1/4-20 x 1/2 Hex Hd. (SST).....	2
49	NS-047-82	Stop Nut 1/4-20 Hex (SST).....	2
50	00-974352	Snubber Assy.....	1
51	00-950229-00002	Cover - Mylar.....	1
52	00-294677-00001	Clamp - Wire (1/4 In.).....	1

PW PREP WASHERS REPLACEMENT PARTS

ITEM	NOMENCLATURE	END 1	END 2	PN	USED ON
1	CONTACTORS TO MOTORS HARNESS	4CON	2MTR	00-949021	PW10
		5CON	3MTR		
			4TB		
2	1TB TO CONTACTORS HARNESS	1TB	3CON	00-949024	PW10
			4CON		
			5CON		
3	24V HARNESS	2T	PWR SUPPLYJ3	00-949025	PW10 / PW20
4	RINSE DRAIN CONTACTORS HARNESS	J4	2TB	00-949026	PW10
			1SOL		
			4TAS		
			2CON		
			3MTR		
		5CON	3MTR		
		3TB	1SOL		
5	TANK HEATER HARNESS	1CON	1HTR	00-949027	PW10
6	HIGH LIMIT HARNESS	J37	1TAS	00-949028	PW10
			3TAS		
			5TAS		
7	POWER DISTRIBUTION/DOOR SWITCH HARNESS	1CR	1TB	00-949031	PW10
		2TB	5CON		
		F2	1T		
		J10	1LS		
		J5	3OL		
		J33	2MTR		
		4CON	3TB		
		2T			
		1T			
		3TB	2CON		
		1CON	3CON		
		5CON	4CON		
		3OL	3CON		
8	WASH MOTOR HARNESS (LOW VOLTAGE)	1MTR	MTR CONNECTOR	00-949033	PW10 / PW20
9	12V BOARD POWER HARNESS	PWR SUPPLY J2	J1	00-949034	PW10 / PW20
10	1TB TO PWR XFMR HARNESS	1TB	1T	00-949035	PW10
11	BRIDGE RECT / DOOR LOCK HARNESS	J29	1BR	00-949036	PW10 / PW20
			2TB		
		J6	J34		
12	1TB TO HEAT CONTACTORS HARNESS	1TB	1CON	00-950117	PW10
			2CON		
13	SIGNAL TO MAIN BD HARNESS	PWR SUPPLY J1	J38	00-950118	PW10 / PW20
14	FUSE TO 2TB & 2T HARNESS	F2	2TB	00-950157	PW10 / PW20
		2T			
15	1T TO FUSE HARNESS	F2	1T	00-950161	PW20
		1T	3TB		
		2T			

PL-60834

HARNESSES

HARNESSES

ILLUS.	PART NO.	NAME OF PART	AMT.
PL-60834			
1	00-949021	Harness - Contactors to Motors.....	1
2	00-949024	Harness - 1TB to Contactors.....	1
3	00-949025	Harness - 24V.....	1
4	00-949026	Harness - Rinse Drain Contactors.....	1
5	00-949027	Harness - Tank Heater.....	1
6	00-949028	Harness - High Limit.....	1
7	00-949031	Harness - Power Distribution / Door Switch.....	1
8	00-949033	Harness - Wash Motor (Low Voltage).....	1
9	00-949034	Harness - 12V Board Power.....	1
10	00-949035	Harness - 1TB to Pwr. Xfmr.....	1
11	00-949036	Harness - Bridge Rect. / Door Lock.....	1
12	00-950117	Harness - 1TB to Heat Contactors.....	1
13	00-950118	Harness - Signal to Main Board.....	1
14	00-950157	Harness - Fuse to 2TB & 2T.....	1
15	00-950161	Harness - 1T to Fuse.....	1

PW PREP WASHERS REPLACEMENT PARTS

ITEM	NOMENCLATURE	END 1	END 2	PN	USED ON
16	DRAIN PUMP MOTOR HARNESS	5CON	3MTR	00-950164	PW20
17	DOOR SWITCH HARNESS	J10	1LS	00-950165	PW20
18	HIGH LIMIT HARNESS	J37	1TAS	00-950166	PW20
			3TAS		
19	TANK HEATER HARNESS	1CON	1HTR	00-950167	PW20
20	CON TO WASH PUMP HARNESS (RH)	3OL	1MTR	00-950168	PW20
21	PWR TO SOL VALVE & HL HARNESS	J4	2TB	00-950171	PW20
			3MTR		
			2CON		
			4TAS		
			1SOL		
		3TB	1CON		
		2CON			
22	1TB TO PUMP CONTACTORS HARNESS	1TB	3CON	00-950172	PW20
			6CON		
			5CON		
			4CON		
23	1TB TO HT CON PMP PWR HARNESS	1TB	1CON	00-950173	PW20
			2CON		
		3OL	DPS		
		6OL	4MTR		
		1TB	1T		
		4CON	SP-1		
		2MTR			
		5MTR			
		4CON	SP-2		
		2MTR			
		5MTR			
		4CON	SP-3		
		2MTR			
		5MTR			
		4CON	5MTR		
		2MTR	5MTR		
24	PWR DIST HARNESS	1CR	5CON	00-950176	PW20 / PW20eR
		2TB			
		DWT			
		J5	1TR		
		6OL	6CON		
		3TB			
		3CON	5CON		
4CON					
		6CON	6OL		
25	2SOL HARNESS	2SOL	3TB	00-950221	PW20
			J31		
		2TB			
		2CR	J46		

PL-60869

HARNESSES (CONTINUED-1)

HARNESSES (CONTINUED-1)

ILLUS.	PART NO.	NAME OF PART	AMT.
16	00-950164	Harness - Drain Pump Motor.....	1
17	00-950165	Harness - Door Switch.....	1
18	00-950166	Harness - Wire Harness - High Limit.....	1
19	00-950167	Harness - Wire Harness - Tank Heater.....	1
20	00-950168	Harness - Wire Harness - Con to Wash Pump.....	1
21	00-950171	Harness - Pwr. to Sol. Valve & HL.....	1
22	00-950172	Harness - 1TB to Pump Contactors.....	1
23	00-950173	Harness - 1TB to HT Con. Pump Pwr.....	1
24	00-950176	Harness - Pwr. Dist.....	1
25	00-950221	Harness - 2Sol.....	1

ITEM	NOMENCLATURE	END 1	END 2	PN	USED ON
26	WASH PUMP HARNESS	3OL	1MTR	00-950557	PW10
			4TB		
27	WASH MOTOR HARNESS (HI VOLTAGE)	1MTR	MTR CONN	00-950601	PW10 / PW20
28	1SS/1CON to 2TAS HARNESS	2TAS	1CON	00-950622	PW10
			2CON		
29	2TB TO J6, J34 HARNESS	2TB	J6	00-950623	PW10
		J34			
30	2CR / 2SOL HARNESS	2SOL	3TB	00-950624	PW10
			J31		
		2TB	J46		
		2CR			
31	DOOR LOCK HARNESS	1BR	1PL	00-974030	PW10 / PW20

PL-60870

HARNESSES (CONTINUED-2)

HARNESSES (CONTINUED-2)

ILLUS. PL-60870	PART NO.	NAME OF PART	AMT.
26	00-950557	Harness - Wash Pump.....	1
27	00-950601	Harness - Wash Motor (Hi Voltage).....	1
28	00-950622	Harness - 1SS/1CON to 2TAS.....	1
29	00-950623	Harness - 2TB to J6.....	1
30	00-950624	Harness - 2CR/2SOL.....	1
31	00-974030	Harness - Door Lock.....	1

ITEM	NOMENCLATURE	END 1	END 2	PN	USED ON
1	LEAD WIRE ASSY	GND	DISP-GND	00-949038-00001	PW10, PW10eR, PW20, PW20eR
2	LEAD WIRE ASSY	4TAS-2	6TAS-1	00-949038-00003	PW10, PW10eR
3	LEAD WIRE ASSY	6TAS-2	2CON-C1	00-949038-00004	PW10, PW10eR
4	LEAD WIRE ASSY	4TAS-1	6TAS-1	00-949038-00010	PW20, PW20eR
5	LEAD WIRE ASSY	6TAS-2	2C)N-C1	00-949038-00011	PW20, PW20eR
6	LEAD WIRE ASSY	2CR-6	1CON-L2	00-949038-00013	PW10eR, PW20eR PWR VENT KIT
7	LEAD WIRE ASSY	2TAS-1	2C)N-NC	00-949038-00015	PW20, PW20eR
8	LEAD WIRE ASSY	2CR2	1CON-L1	00-949038-00016	PW10eR, PW20eR PWR VENT KIT
9	LEAD WIRE ASSY	2TAS-2	1CON-C1	00-949038-00017	PW20, PW20eR
10	LEAD WIRE ASSY	2CR-4	4TB-VFC1	00-949038-00019	PW10, PW10eR, PW20, PW20eR
11	LEAD WIRE ASSY	2CR-8	4TB-VFC2	00-949038-00020	PW10eR, PW20eR PWR VENT KIT
12	LEAD WIRE ASSY	1TR-1	3OL-95	00-949038-00022	PW20, PW20eR
13	LEAD WIRE ASSY	2CR-1	3TB	00-949038-00023	PW10, PW10eR, PW20, PW20eR
14	LEAD WIRE ASSY	GND	3TB	00-949038-00024	PW10, PW10eR, PW20, PW20eR
15	LEAD WIRE ASSY	3TB	4TB-DWT2	00-949038-00025	PW10, PW10eR, PW20, PW20eR
16	LEAD WIRE ASSY	3OL-96	3CON-A1	00-949038-00026	PW20, PW20eR
17	LEAD WIRE ASSY	1CR-4	4TB-RPS1	00-949038-00027	PW10, PW10eR, PW20, PW20eR
18	LEAD WIRE ASSY	1CR-6	4TB-RPS2	00-949038-00028	PW10, PW10eR, PW20, PW20eR
19	LEAD WIRE ASSY	3TB	1BR-AC2	00-949038-00029	PW10eR, PW20eR
20	LEAD WIRE ASSY	2CR-2	4TB-VFC2	00-949038-00032	PW10, PW20
21	LEAD WIRE ASSY	4TB-VFC1	3T-H1	00-949038-00033	PW20eR HI VOLT
22	LEAD WIRE ASSY	4TB-VFC2	3T-H4	00-949038-00034	PW20eR HI VOLT
23	LEAD WIRE ASSY	4TB-VFC1	3T-H1	00-949038-00035	PW10eR HI VOLT
24	LEAD WIRE ASSY	4TB-VFC2	3T-H4	00-949038-00036	PW10eR HI VOLT
25	LEAD WIRE ASSY	F3-1	3T-X1	00-949038-00037	PW10eR / PW20eR HI VOLT
26	LEAD WIRE ASSY	4TB-VFC1	4T-H1	00-949038-00038	PWR VENT KIT
27	LEAD WIRE ASSY	4TB-VFC2	4T-HX	00-949038-00039	PWR VENT KIT
28	LEAD WIRE ASSY	F4-1	4T-X1	00-949038-00040	PWR VENT KIT

PL-65067

LEAD WIRE ASSEMBLY

LEAD WIRE ASSEMBLY

ILLUS.	PART NO.	NAME OF PART	AMT.
PL-65067			
1	00-949038-00001	Lead Wire Assy. (GND to DISP-GND) PW10, PW10ER, PW20, PW20ER.....	1
2	00-949038-00003	Lead Wire Assy. (4TAS-2 to 6TAS-1) PW10, PW10ER.....	1
3	00-949038-00004	Lead Wire Assy. (6TAS-2 to 2CON-C1) PW10, PW10ER.....	1
4	00-949038-00010	Lead Wire Assy. (4TAS-2 to 6TAS-1) PW20, PW20ER.....	1
5	00-949038-00011	Lead Wire Assy. (6TAS-2 to 2CON-C1) PW20, PW20ER.....	1
6	00-949038-00013	Lead Wire Assy. (2CR-6 to 1CON-L2) PW10ER, PW20ER Power Vent Fan Kit.....	1
7	00-949038-00015	Lead Wire Assy. (2TAS-1 to 2CON-NC) PW20, PW20ER.....	1
8	00-949038-00016	Lead Wire Assy. (2CR-2 to 1CON-L1) PW10ER, PW20ER Power Vent Fan Kit.....	1
9	00-949038-00017	Lead Wire Assy. (2TAS-2 to 1CON-C1) PW20, PW20ER.....	1
10	00-949038-00019	Lead Wire Assy. (2CR-4 to 4TB-VFC1) PW10, PW10ER, PW20, PW20ER.....	1
11	00-949038-00020	Lead Wire Assy. (2CR-8 to 4TB-VFC2) PW10ER, PW20ER Power Vent Fan Kit.....	1
12	00-949038-00022	Lead Wire Assy. (1TR-1 to 3OL-95) PW20, PW20ER.....	1
13	00-949038-00023	Lead Wire Assy. (2CR-1 to 3TB) PW10, PW10ER, PW20, PW20ER.....	1
14	00-949038-00024	Lead Wire Assy. (GND to 3TB) PW10, PW10ER, PW20, PW20ER.....	1
15	00-949038-00025	Lead Wire Assy. (3TB to 4TB-DWT2) PW10, PW10ER, PW20, PW20ER.....	1
16	00-949038-00026	Lead Wire Assy. (3OL-96 to 3CON-A1) PW20, PW20ER.....	1
17	00-949038-00027	Lead Wire Assy. (1CR-4 to 4TB-RPS1) PW10, PW10ER, PW20, PW20ER.....	1
18	00-949038-00028	Lead Wire Assy. (1CR-6 to 4TB-RPS2) PW10, PW10ER, PW20, PW20ER.....	1
19	00-949038-00029	Lead Wire Assy. (3TB to 1BR-AC2) PW10ER, PW20ER.....	1
20	00-949038-00032	Lead Wire Assy. (2CR-2 to 4TB-VCF2) PW10, PW20.....	1
21	00-949038-00033	Lead Wire Assy. (4TB-VFC1 to 3T-H1) PW20ER High Voltage.....	1
22	00-949038-00034	Lead Wire Assy. (4TB-VFC2 to 3T-H4) PW20ER High Voltage.....	1
23	00-949038-00035	Lead Wire Assy. (4TB-VFC1 to 3T-H1) PW10ER High Voltage.....	1
24	00-949038-00036	Lead Wire Assy. (4TB-VFC-2 to 3T-H4) PW10ER High Voltage.....	1
25	00-949038-00037	Lead Wire Assy. (F3-1 to 3T-X1) PW10ER, PW20ER High Voltage.....	1
26	00-949038-00038	Lead Wire Assy. (4TB-VCF1 to 4T-H1) Power Vent Kit.....	1
27	00-949038-00039	Lead Wire Assy. (4TB-VFC2 to 4T-HX) Power Vent Kit.....	1
28	00-949038-00040	Lead Wire Assy. (F4-1 to 4T-XT) Power Vent Kit.....	1

PW PREP WASHERS REPLACEMENT PARTS

ITEM	NOMENCLATURE	END 1	END 2	PN	USED ON
1	FAN/SOL VALVE CABLE	J31	9WN (2SOL)	00-949029	PW10eR
		J46	2TB		
			2CR		
			3TB		
2	FANS TO 2SOL CABLE	9WN	2SOL	00-950155	PW20eR
		10WN			
3	FAN TO FAN CABLE	1WN	9WN (2SOL)	00-950156	PW20eR
		2WN	10WN (2SOL)		
		5WN (6MTR)	7WN (7MTR)		
		6WN (6MTR)	8WN (7MTR)		
		GND	GND		
4	CONTROL TO FAN1 CABLE	J31	1WN	00-950175	PWEeR
		J46	2TB		
			2CR		
			3TB		
5	XFMR TO FAN CABLE	F3	5WN	00-974051	PW20eR
		3T	6WN		
		GND	GND		
6	CONTROL TO SOLENOID CABLE	J31	1WN	00-974052	PWeR
		J46	2TB		
			2CR		
			3TB		
7	PWeR VALVE CABLE	J31	9WN	00-974053	PW10
		J46	2TB		
			2CR		
			3TB		
8	XFMR TO FAN CABLE	F3	6MTR	00-974054	PW10
		3T			
		GND			
9	KEYPAD CABLE ASSY	J25	JKPD	00-974057	PW10, PW20
10	RINSE FEEDER RELAY CABLE ASSY	J23	1CR	00-974058	PW10, PW20
11	DELIME PUMP CABLE ASSY	J43	8MTR	00-974059	PW10eR
12	PRESSURE SENSORS CABLE ASSY	J2	BSTR	00-974060	PW10, PW20
			TANK		
13	DELIME PUMP CABLE ASSY	J43	8MTR	00-974061	PW20eR
14	TEMP PROBES CABLE ASSY	J36	J3QTM	00-974063	PW20
			J2QTM		
			J1QTM		
15	DOOR SWITCH CABLE	1PL	3SOL	00-974159	PW10eR, PW20eR

PL-65068

CABLES

CABLES

ILLUS.	PART NO.	NAME OF PART	AMT.
PL-65068			
1	00-949029	Fan / Sol Valve Cable.....	1
2	00-950155	Cable - Fans to 2Sol.....	1
3	00-950156	Cable - Fan to Fan Cable.....	1
4	00-950175	Cable - Control to Fan1.....	1
5	00-974051	Cable - Xfmr. to Fan.....	1
6	00-974052	Cable - Control to Solenoid.....	1
7	00-974053	Cable - PWER Valve.....	1
8	00-974054	Cable - Xfmr. to Fan.....	1
9	00-974057	Keypad Cable Assy.....	1
10	00-974058	Rinse Feeder Relay Cable Assy.....	1
11	00-974059	Delime Pump Assy.....	1
12	00-974060	Pressure Sensors Cable Assy.....	1
13	00-974061	Delime Pump Cables Assy.....	1
14	00-974063	Temp. Probes Cable Assy.....	1
15	00-974159	Cable - Door Switch.....	1

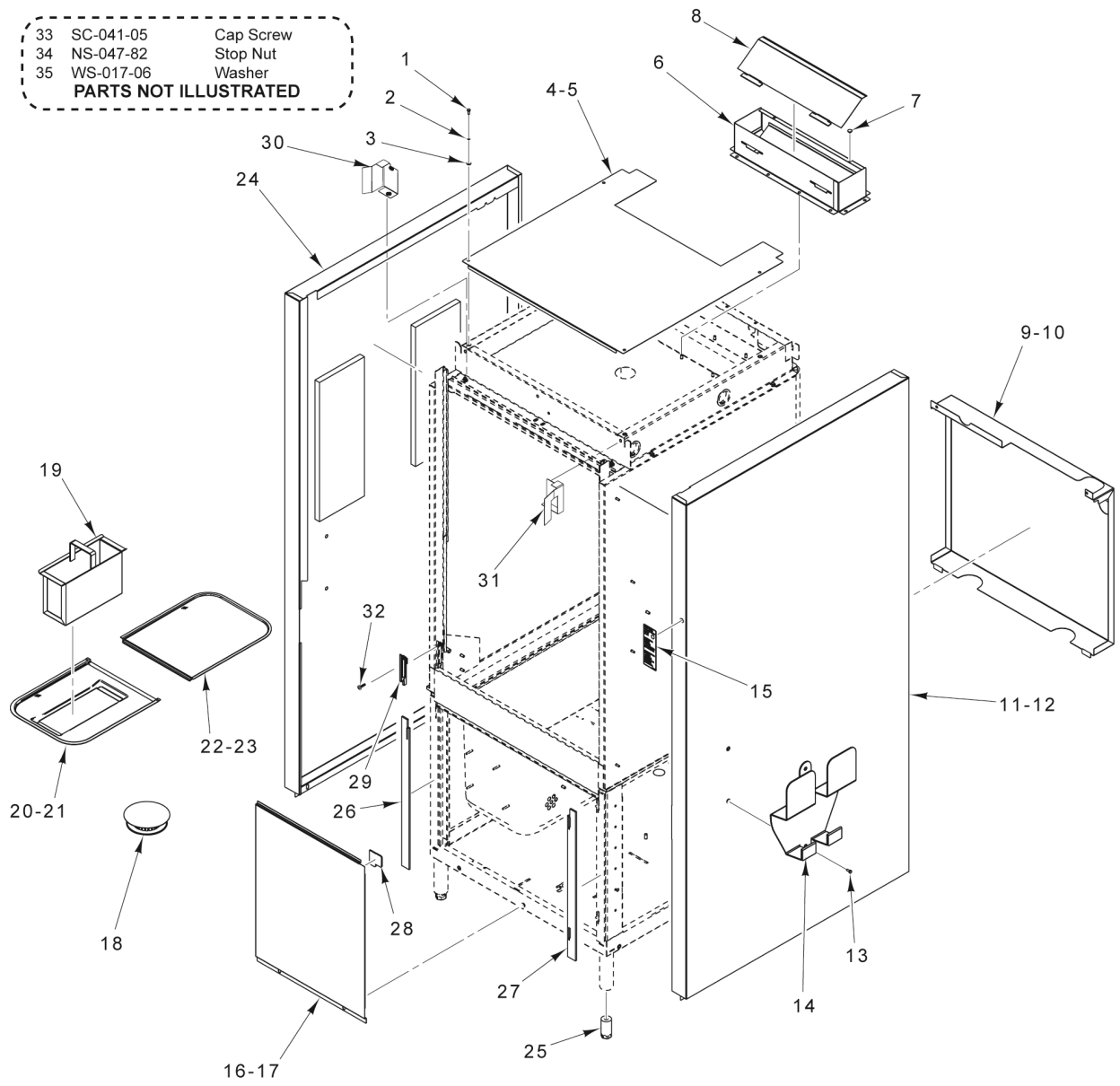
ITEM	NOMENCLATURE	END 1	END 2	PN	USED ON
16	POWER VENT KIT CABLE	F4	8MTR	00-974202	PW10, PW20
		4T			
17	DISPLAY CABLE ASSY	J24	JD	00-974224	PW10, PW20
18	FAN CABLE	4TB	5WN	00-974322	PW10eR
			6WN		
		GND	GND		
19	FAN CABLE	4TB GND	6MTR GND	00-974323	PW20eR
20	DWT CABLE	DWT	CONNECTOR	00-974374	DWT KIT
21	TEMP PROBES CABLE ASSY	J36	J1QTM	00-974062	PW10
			J2QTM		
			J3QTM		



CABLES (CONTINUED)

CABLES (CONTINUED)

ILLUS. PL-65069	PART NO.	NAME OF PART	AMT.
16	00-974202	Cable - Power Vent Kit.....	1
17	00-974224	Display Cable Assy.....	1
18	00-974322	Cable - Fan.....	1
19	00-974323	Cable - Fan.....	1
20	00-974374	Cable - DWT.....	1
21	00-974062	Temp Probes Cable Assy.....	1



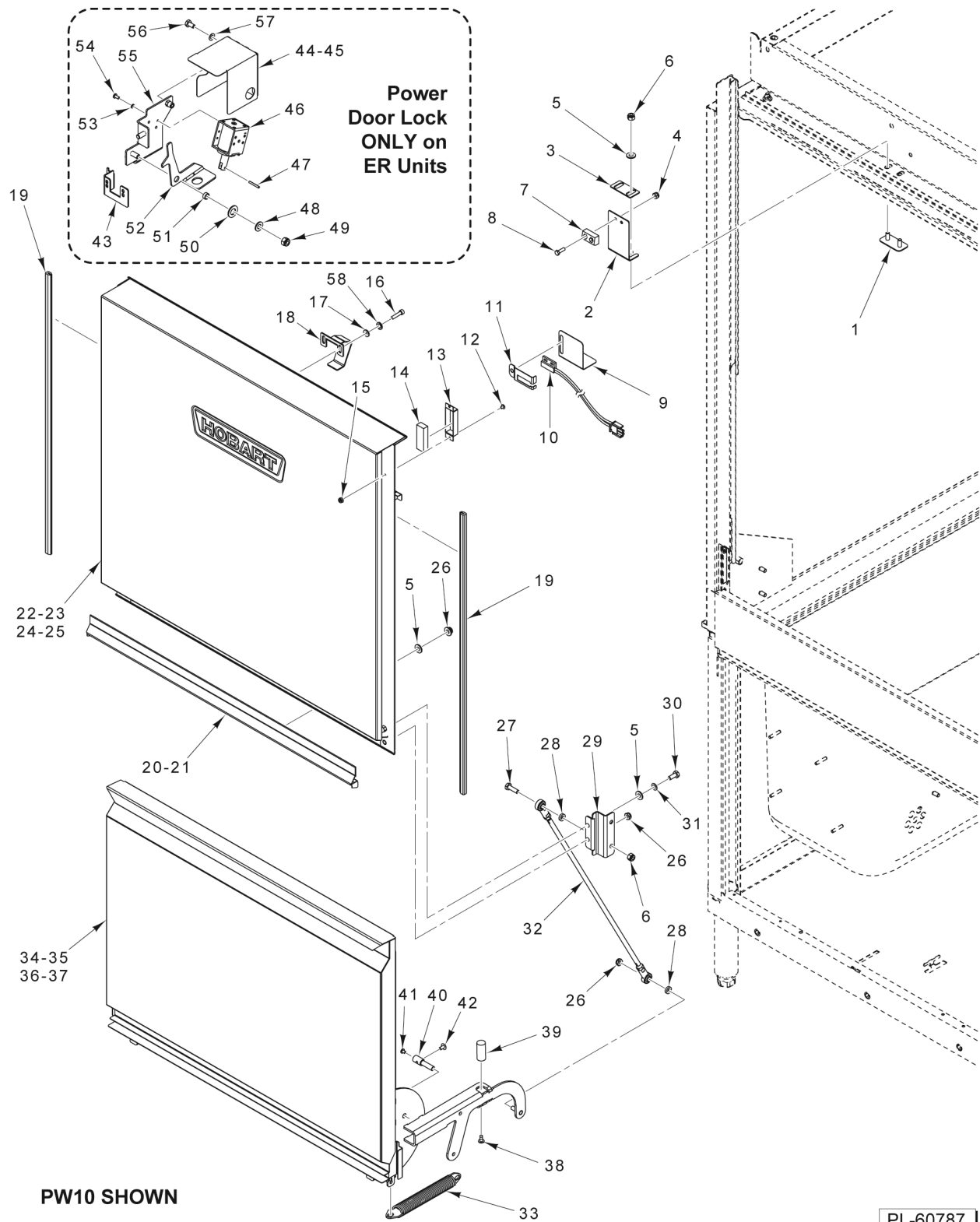
PW10 SHOWN

PL-60777

PANELS AND SCREENS

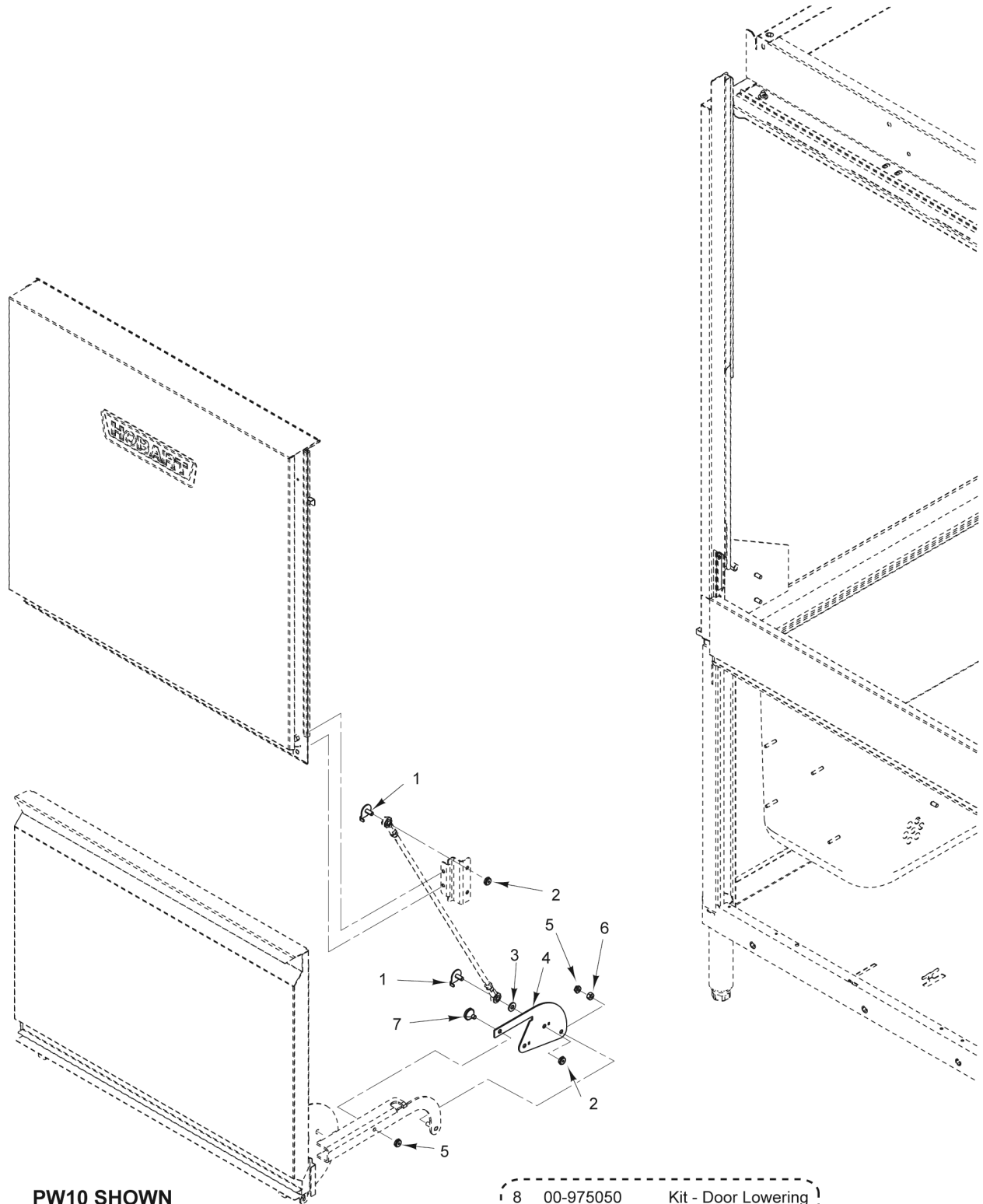
PANELS AND SCREENS

ILLUS. PL-60777	PART NO.	NAME OF PART	AMT.
1	SC-067-06	Mach. Screw 10-24 x 1/2 Hex Hd.....	4
2	WL-006-06	Lockwasher #10 Helical (SST).....	5
3	WS-019-20	Washer 0.219 x 0.375 x 0.031 (SST).....	4
4	00-948946-00001	Panel - Top (PW10).....	1
5	00-948946-00002	Panel - Top (PW20).....	1
6	00-948954	Channel - Vent.....	1
7	00-473466	Button - Door Handle.....	2
8	00-948957	Flap.....	1
9	00-948930	Panel - Rear (PW10).....	1
10	00-948931	Panel - Rear (PW20).....	1
11	00-948836-00001	Panel Assy. (RH) (Standard).....	1
12	00-948836-00005	Panel Assy. (RH) (Advansys).....	1
13	SC-125-15	Mach. Screw 1/4-20 x 1/2 Phil. Truss Hd.....	2
14	00-948999	Bracket - Sprayer Handle.....	1
15	00-950404	Label - Condensing Cycle (Advansys).....	1
16	00-948932-00001	Panel - Front (PW10).....	1
17	00-948932-00002	Panel - Front (PW20).....	1
18	00-974259	Strainer - Drain.....	AR
19	00-118999	Strainer Basket Assy.....	1
20	00-948886-00001	Strainer - Front (PW10).....	1
21	00-948884-00001	Strainer - Front (PW20).....	1
22	01-294731-00001	Strainer - Back (PW10).....	1
23	01-294740-00001	Strainer - Back (PW20).....	1
24	00-948836-00004	Panel Assy. (LH).....	1
25	00-893122-00003	Foot - Standard.....	4
26	00-974223	Seal.....	1
27	00-974222	Seal.....	1
28	00-974220	Seal.....	1
29	00-948928	Barrier - Vapor.....	2
30	00-974021-00001	Seal - Left Side Plate (Requires items 32, 33 [1 each] and 34 [2 each]).....	1
31	00-974021-00002	Seal - Right Side Plate (Requires items 32, 33 [1 each] and 34 [2 each]).....	1
32	SC-125-45	Screw - Mach. 8-32 x 3/4 (Flat Cross).....	2
33	SC-041-05	Cap Screw 1/4-20 x 5/8 Hex Hd. (SST).....	2
34	NS-047-82	Stop Nut 1/4-20 Hex (SST).....	2
35	WS-017-06	Washer (SST).....	4



DOOR ASSEMBLY

ILLUS.	PART NO.	NAME OF PART	AMT.
PL-60787			
1	00-974102-00001	Mount - Door Stop.....	1
2	00-948941	Bracket - Spring & Lock.....	1
3	00-948897-00001	Bracket - Door Brake.....	1
4	NS-031-15	Stop Nut 10-24 Hex (SST).....	2
5	WS-017-06	Washer (SST).....	AR
6	NS-047-82	Stop Nut 1/4-20 Hex (SST).....	4
7	00-950106	Shoe - Brake.....	1
8	SC-126-29	Cap Screw 10-24 x 5/8 Hex Hd.....	2
9	00-949004	Bracket - Switch.....	1
10	00-941429-00002	Switch Assy. - Interlock.....	1
11	00-949012	Clamp - Switch.....	1
12	SC-066-01	Mach. Screw 6-32 x 1/4 Phil. Truss Hd.....	2
13	00-290159	Retainer - Magnet.....	1
14	00-290160	Magnet.....	1
15	NS-031-50	Stop Nut 6-32 Hex (SST).....	2
16	SC-123-01	Cap Screw 10-24 x 3/4 Hex Socket Hd. (SST).....	2
17	WS-019-20	Washer 0.219 x 0.375 x 0.031 (SST).....	2
18	00-948898-00001	Bracket - Brake.....	1
19	00-112378-00023	Guide - Door.....	2
20	00-948819-00001	Gutter (Upper Door) (PW10).....	1
21	00-948819-00002	Gutter (Upper Door) (PW20).....	1
22	00-948855-00001	Door Weldment (PW10).....	1
23	00-948853-00001	Door Assy. (PW10) (Incls. Items 12 thru 20, 22, & 58).....	1
24	00-948855-00002	Door Weldment (PW20).....	1
25	00-948853-00002	Door Assy. (PW20) (Incls. Items 12 thru 19, 21, 24, & 58).....	1
26	NS-047-86	Stop Nut 1/4-20 Hex (SST).....	AR
27	SC-109-47	Cap Screw 1/4-20 x 7/8 Hex Hd. (SST).....	2
28	WS-022-25	Washer (SST).....	4
29	00-948858	Bracket - Upper Door.....	2
30	SC-041-05	Cap Screw 1/4-20 x 5/8 Hex Hd. (SST).....	2
31	WL-007-15	Lockwasher 1/4 External Shakeproof.....	2
32	00-948874	Rod Assy.....	2
33	00-948925	Spring Assy.....	2
34	00-948840-00001	Door Assy. (Lower Hinged) (PW10) (Incls. Items 36, 38, 39, & 40).....	1
35	00-948840-00002	Door Assy. (Lower Hinged) (PW20) (Incls. Items 37 thru 40).....	1
36	00-948842-00001	Door Weldment (Lower Hinged) (PW10).....	1
37	00-948842-00002	Door Weldment (Lower Hinged) (PW20).....	1
38	SD-038-84	Self-Tapping Screw 10-24 x 1/2 Phil. Truss Hd., Type F (SST).....	2
39	00-948841	Bumper - Rubber.....	2
40	00-948818	Pin - Pivot.....	2
41	SC-119-14	Mach. Screw 8-32 x 1/4 Phil. Flat Hd. (SST).....	2
42	SC-010-24	Mach. Screw 10-24 x 3/8 Slotted Truss Hd.....	2
43	00-948940	Bracket - Switch.....	1
44	00-948992	Lock Assy. (Incls. Items 45 thru 57).....	1
45	00-949015	Cover - Solenoid.....	1
46	00-949046-00001	Solenoid (110 VDC, 3/4 In. Travel).....	1
47	RP-003-47	Pin - Roll 1/8 In x 1-1/4 In. Lg.....	1
48	WS-005-32	Washer (SST).....	1
49	NS-036-19	Stop Nut 5/16-18 Hex (SST).....	1
50	WS-021-01	Washer (SST).....	1
51	00-893014-00002	Spacer - Link.....	1
52	00-948994	Lock.....	1
53	WL-006-01	Lockwasher #8 Helical (SST).....	4
54	SC-120-35	Mach. Screw 8-32 x 3/8 Phil. Pan Hd. (SST).....	4
55	00-948993	Plate - Solenoid.....	1
56	SC-041-50	Cap Screw 1/4-20 x 1/2 Hex Hd. (SST).....	1
57	WL-007-15	Lockwasher 1/4 External Shakeproof.....	1
58	WL-006-06	Lockwasher #10 Helical (SST).....	1



PW10 SHOWN

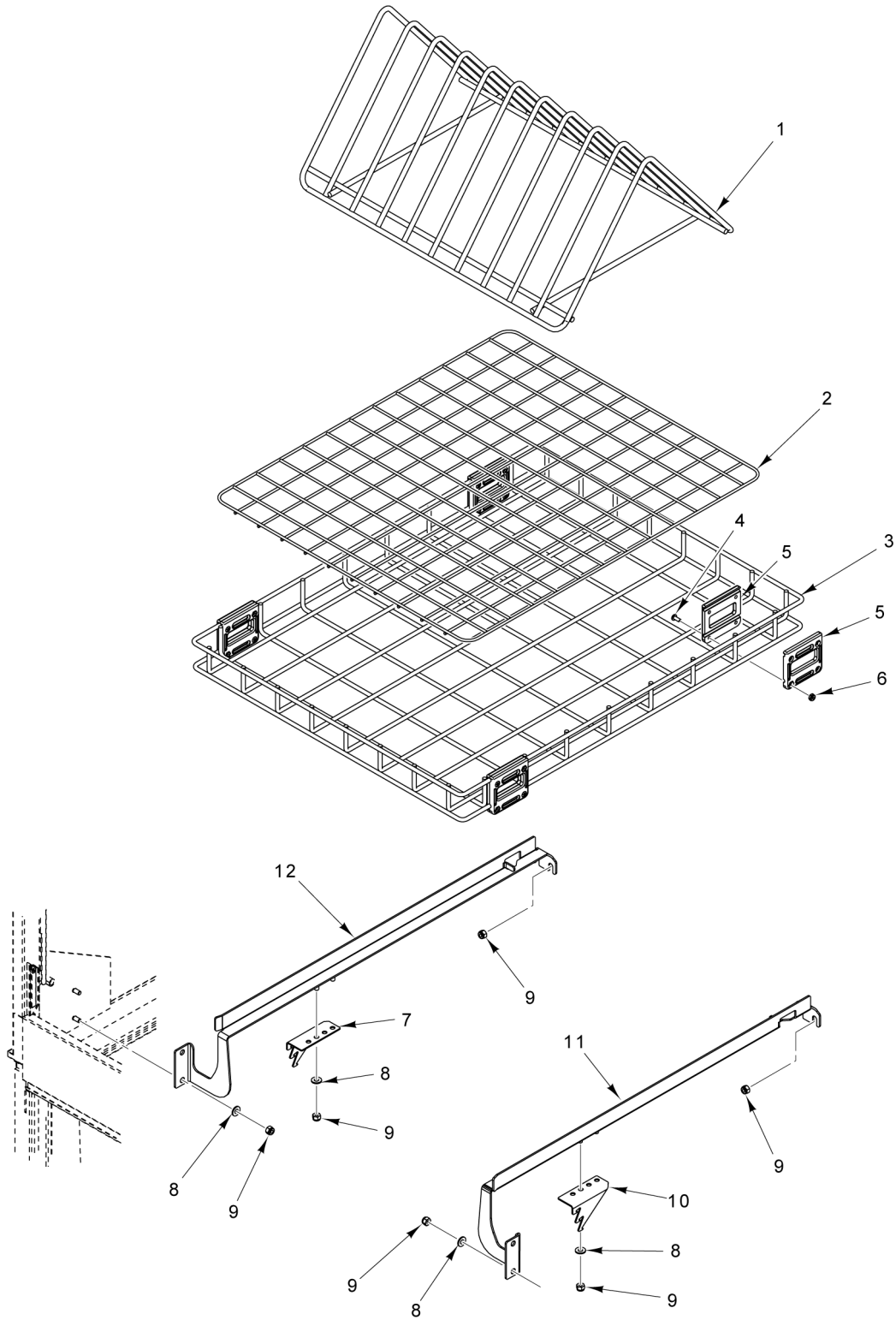
8 00-975050 Kit - Door Lowering
PART NOT ILLUSTRATED

AI4712

**DOOR LOWERING KIT
(OPTIONAL ACCESSORY)**

**DOOR LOWERING KIT
(OPTIONAL ACCESSORY)**

ILLUS.	PART NO.	NAME OF PART	AMT.
PL-AI4712			
1	00-975074-00001	Captive Stud - Anti-Rotation 1/4-20.....	4
2	NS-047-82	Stop Nut 1/4-20 Hex (SST).....	4
3	WS-022-25	Washer (SST).....	2
4	00-975072	Bracket - Door Pivot.....	2
5	NS-047-86	Stop Nut 1/4-20 Hex (SST).....	4
6	NS-015-01	Nut 1/4-20 Hex (SST).....	2
7	SC-041-05	Cap Screw 1/4-20 x 5/8 Hex Hd. (SST).....	2
8	00-975070	Kit - Door Lowering (Incls. Items 1-7).....	1

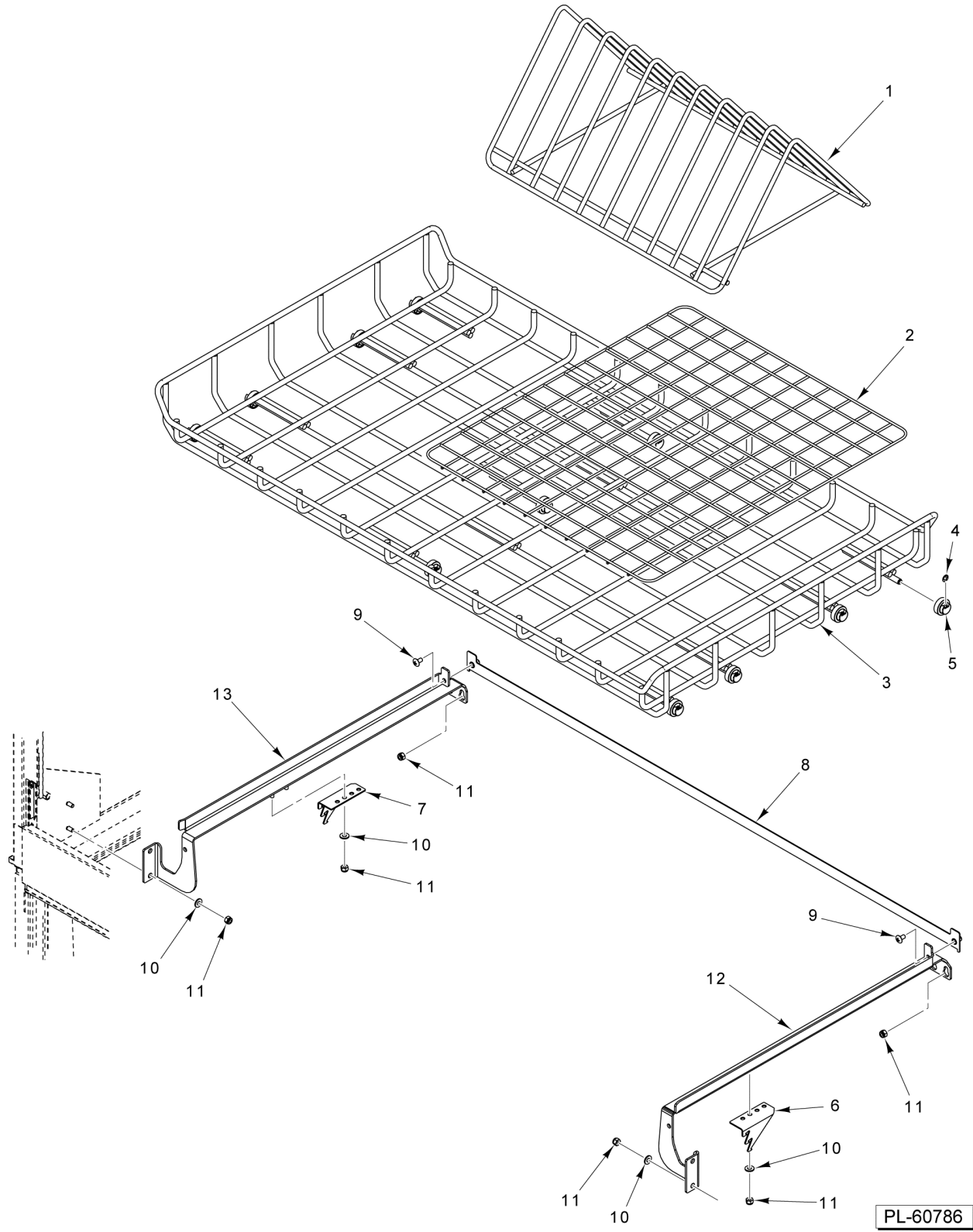


PL-60785

RACK ASSEMBLY (PW10)

RACK ASSEMBLY (PW10)

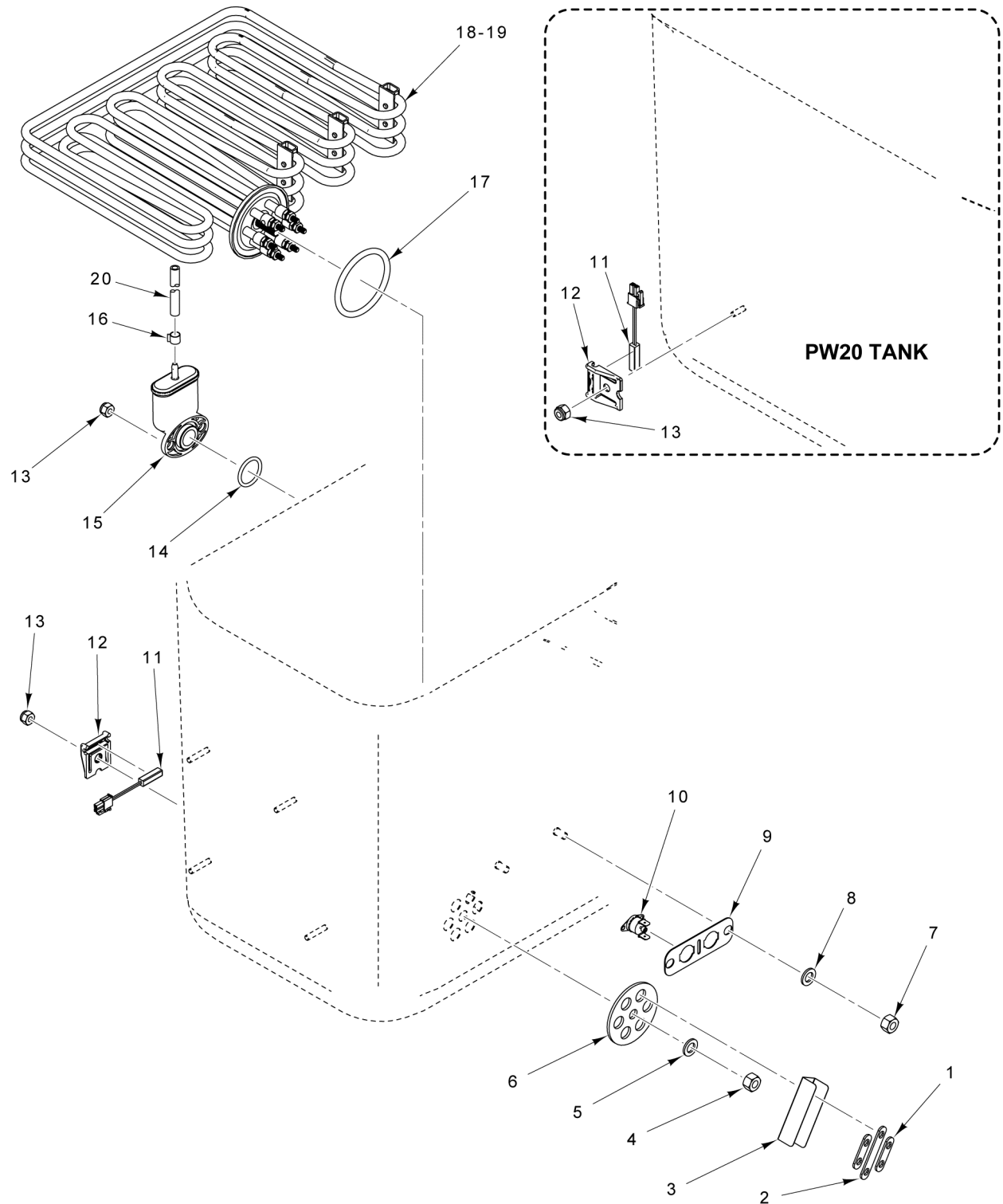
ILLUS.	PART NO.	NAME OF PART	AMT.
PL-60785			
1	00-948776	Rack (10-Pan).....	1
2	00-950677	Insert - Basket.....	1
3	00-948959	Rack Assy. (With Blocks) (Incls. Items 4, 5, & 6).....	1
4	SC-123-76	Mach. Screw 10-24 x 1/2 Phil. Pan Hd.....	16
5	00-948929	Block - Rack Mounting.....	8
6	NS-031-16	Stop Nut 10-24 Hex Elastic (SST).....	16
7	00-948921-00002	Bracket - Spring (LH).....	1
8	WS-017-06	Washer (SST).....	AR
9	NS-047-82	Stop Nut 1/4-20 Hex (SST).....	12
10	00-948921-00001	Bracket - Spring (RH).....	1
11	00-563061-00001	Guide - Rack (RH).....	1
12	00-563061-00002	Guide - Rack (LH).....	1



RACK ASSEMBLY (PW20)

RACK ASSEMBLY (PW20)

ILLUS.	PART NO.	NAME OF PART	AMT.
PL-60786			
1	00-948776	Rack (10-Pan).....	2
2	00-950677	Insert - Basket.....	2
3	00-950678	Rack Basket Assy. (Incls. Items 4 & 5).....	1
4	RR-006-23	Retaining Ring.....	11
5	00-949014	Roller - Conveyor Rack.....	11
6	00-948921-00001	Bracket - Spring (RH).....	1
7	00-948921-00002	Bracket - Spring (LH).....	1
8	00-974142-00001	Support - Rack.....	1
9	SC-125-15	Mach. Screw 1/4-20 x 1/2 Phil. Truss Hd.....	2
10	WS-017-06	Washer (SST).....	AR
11	NS-047-82	Stop Nut 1/4-20 Hex (SST).....	12
12	00-563062-00001	Assy, Guide, Rack, RH, PW20.....	1
13	00-563062-00002	Assy, Guide, Rack, LH, PW20.....	1



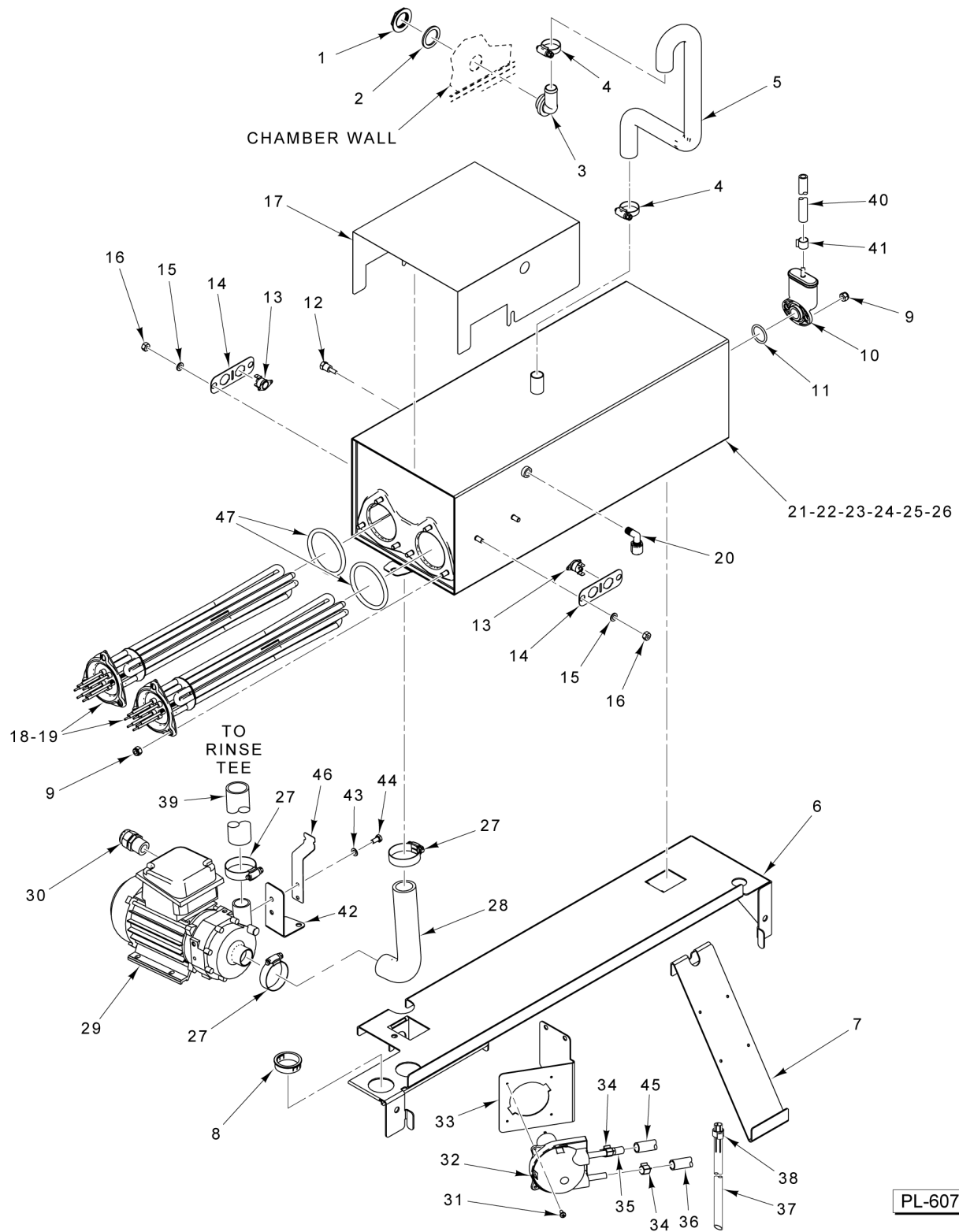
PW10 SHOWN

PL-60780

TANK HEAT

TANK HEAT

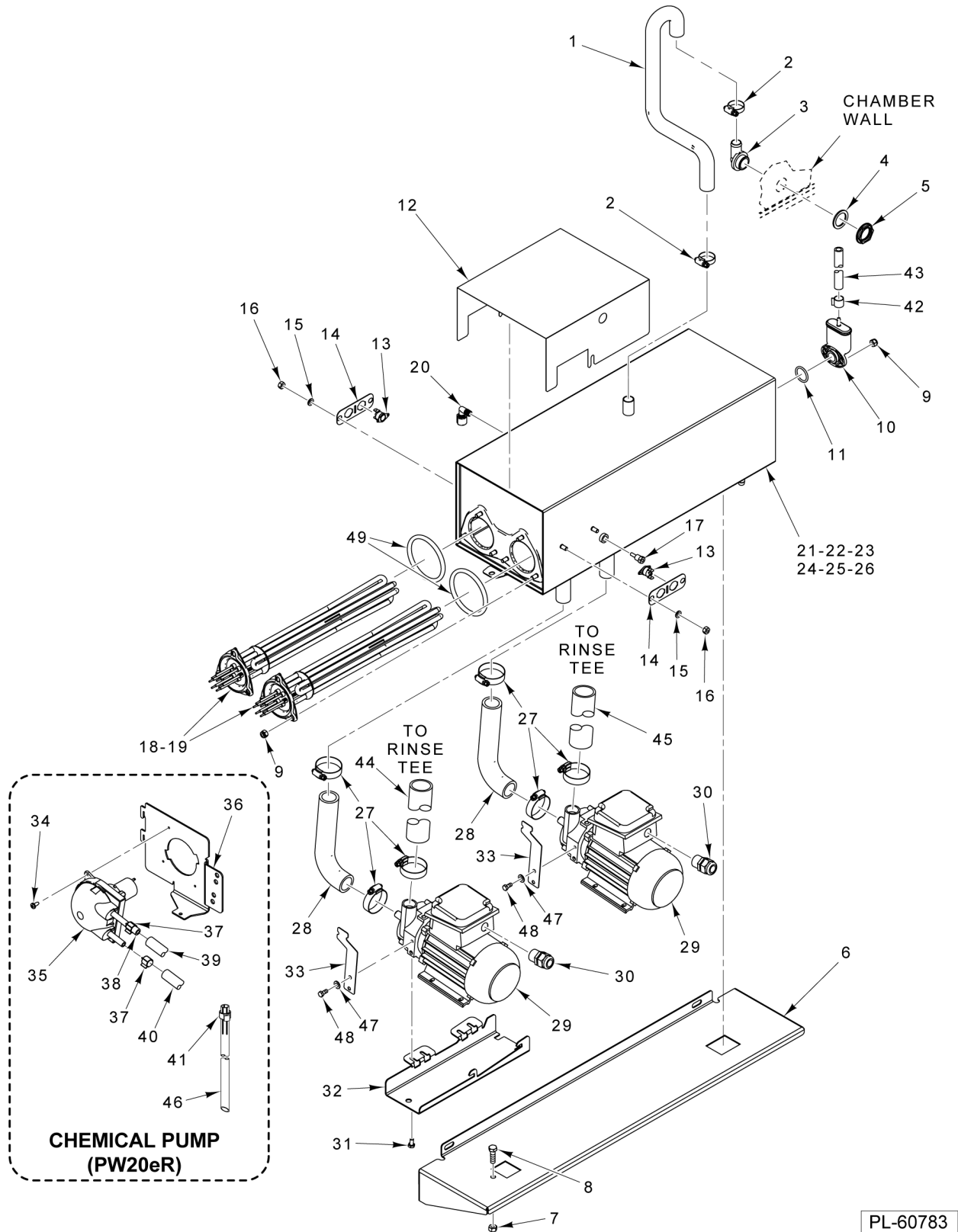
ILLUS. PL-60780	PART NO.	NAME OF PART	AMT.
1	00-974037-00001	Jumper.....	2
2	00-974037-00002	Jumper.....	1
3	00-974036	Insulator.....	1
4	NS-014-15	Nut 3/8-16 (Brass) (Supplied With Heater).....	1
5	WL-006-27	Lockwasher 3/8 Helical (SST).....	1
6	00-950267	Reinforcement - Heater.....	1
7	NS-015-01	Nut 1/4-20 Hex (SST).....	2
8	WL-006-17	Lockwasher 1/4 Helical (SST).....	2
9	00-941630	Bracket - High Limit.....	1
10	00-942185	Protector - High Limit.....	2
11	00-941747	Thermistor.....	1
12	00-949010	Mount - Thermistor.....	1
13	NS-047-82	Stop Nut 1/4-20 Hex (SST).....	3
14	OR-001-21	O-Ring.....	1
15	00-942151-00001	Trap - Air.....	1
16	00-113156-00001	Clamp - Spring Action Hose.....	1
17	OR-001-32	O-Ring.....	1
18	00-948740-00001	Heater - 16.4 kW Electric (240 V.).....	1
19	00-948740-00002	Heater - 16.4 kW Electric (480 V.).....	1
20	00-974388-00007	Tubing.....	1



RINSE PUMP & BOOSTER ASSEMBLY (PW10)

RINSE PUMP & BOOSTER ASSEMBLY (PW10)

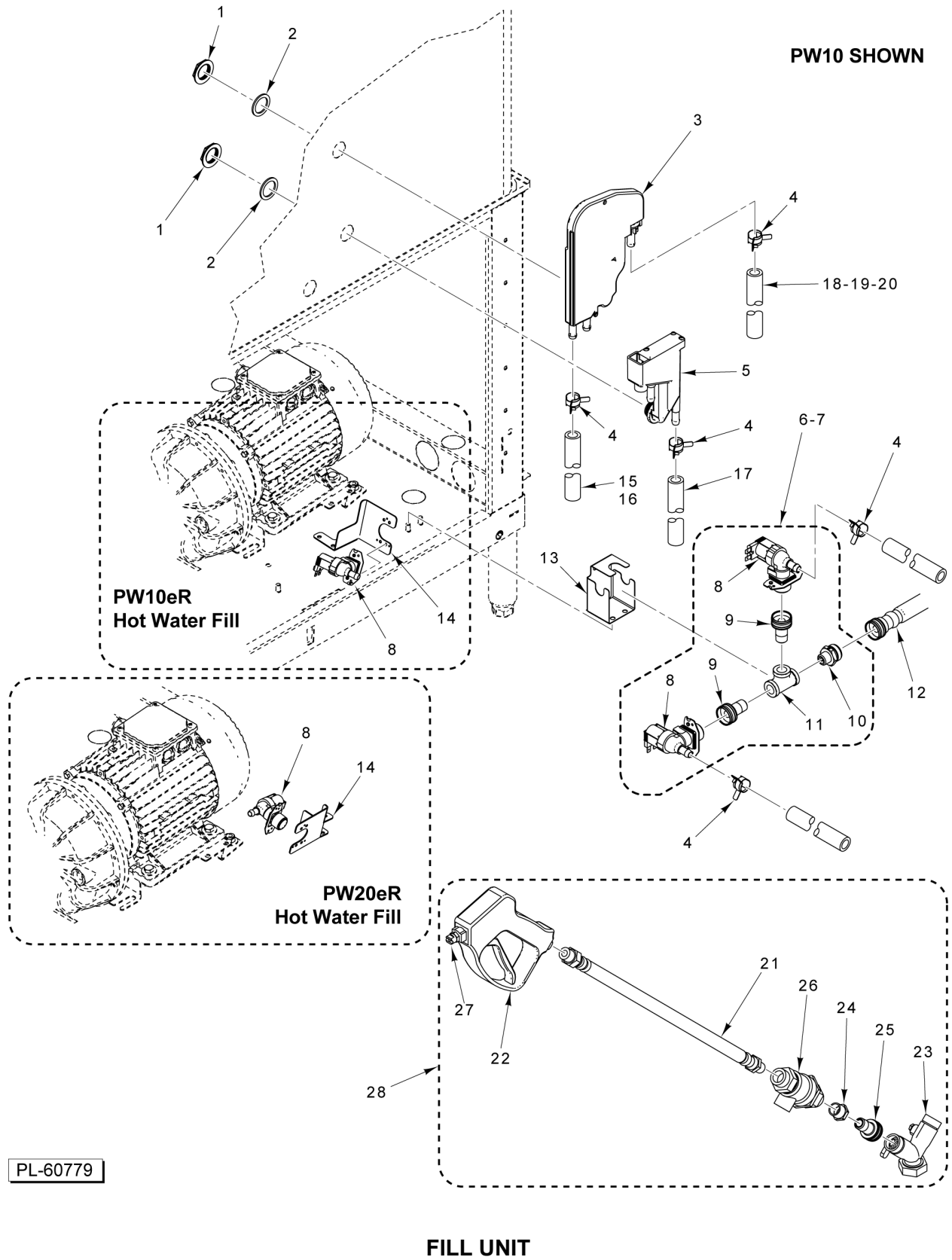
ILLUS.	PART NO.	NAME OF PART	AMT.
PL-60784			
1	00-116198-00003	Nut - Adapter.....	1
2	00-941940	Washer - Air Gap.....	1
3	00-324097	Elbow - Fill.....	1
4	00-528499	Clamp - Hose.....	2
5	00-948988	Hose - Booster.....	1
6	00-948948	Bracket - Shelf (Booster) (PW10).....	1
7	00-949000	Support - Booster.....	1
8	FE-023-53	Bushing - Snap.....	2
9	NS-047-82	Stop Nut 1/4-20 Hex (SST).....	8
10	00-942151-00001	Trap - Air.....	1
11	OR-001-21	O-Ring.....	1
12	00-949039	Probe Assy.....	1
13	00-942185	Protector - High Limit.....	4
14	00-941630	Bracket - High Limit.....	2
15	WL-006-17	Lockwasher 1/4 Helical (SST).....	4
16	NS-015-01	Nut 1/4-20 Hex (SST).....	4
17	00-949016	Cover - Mylar (Booster).....	1
18	00-948741-00001	Heater - Electric (240 V., 8200 W.).....	2
19	00-948741-00002	Heater - Electric (480 V., 8200 W.).....	2
20	FP-087-46	Fitting - Tube 1/4 (Advansys).....	1
21	00-948918-00001	Booster Weldment (Standard).....	1
22	00-948918-00003	Booster Weldment (Advansys).....	1
23	00-948919-00001	Booster Assy. (Standard) (240 V.) (Incls. Items 9 thru 18 & 21).....	1
24	00-948919-00005	Booster Assy. (Standard) (480 V.) (Incls. Items 9 thru 17, 19, & 21).....	1
25	00-948919-00002	Booster Assy. (Advansys) (240 V.) (Incls. Items 9 thru 18, 20, & 22).....	1
26	00-948919-00006	Booster Assy. (Advansys) (480 V.) (Incls. Items 9 thru 17, 19, 20, & 22).....	1
27	00-558171	Clamp - Hose.....	3
28	00-950423-00001	Hose - Elbow.....	1
29	00-947899-00004	Pump Motor Assy. (208-240/380-480/60).....	1
30	FE-027-12	Cord Grip - Strain Relief.....	1
31	SD-008-18	Self-Tapping Screw 8-18 x 3/8 Phil. Bndg. Hd., Type B.....	AR
32	00-948850	Pump - Chemical.....	AR
33	00-949002	Bracket - Chemical Pump (PW10eR).....	1
34	00-113156-00001	Clamp - Spring Action Hose.....	AR
35	00-949651-00002	Hose - P-Pump Kit (Includes Spring, Clamp, & Tube).....	1
36	00-185105-00029	Tubing (Black) (144 In.).....	1
37	00-185112	Stand Pipe 20-1/2 Lg.....	1
38	00-185111-00002	Clamp - Hose 7/16.....	1
39	00-949008-00001	Hose.....	1
40	00-974388-00006	Tubing.....	1
41	00-113156-00001	Clamp - Spring Action Hose.....	1
42	00-948975	Bracket - Drain Pump.....	1
43	WL-006-16	Lockwasher 1/4 Helical (SST).....	2
44	SC-120-48	Cap Screw M6 x 1.0 x 18mm Hex Hd. (SST).....	2
45	00-185105-00031	Tubing (Clear) (9.5 In.).....	1
46	00-948779	Anchor - Hose.....	1
47	00-067500-00034	O-Ring.....	2



RINSE PUMP & BOOSTER ASSEMBLY (PW20)

RINSE PUMP & BOOSTER ASSEMBLY (PW20)

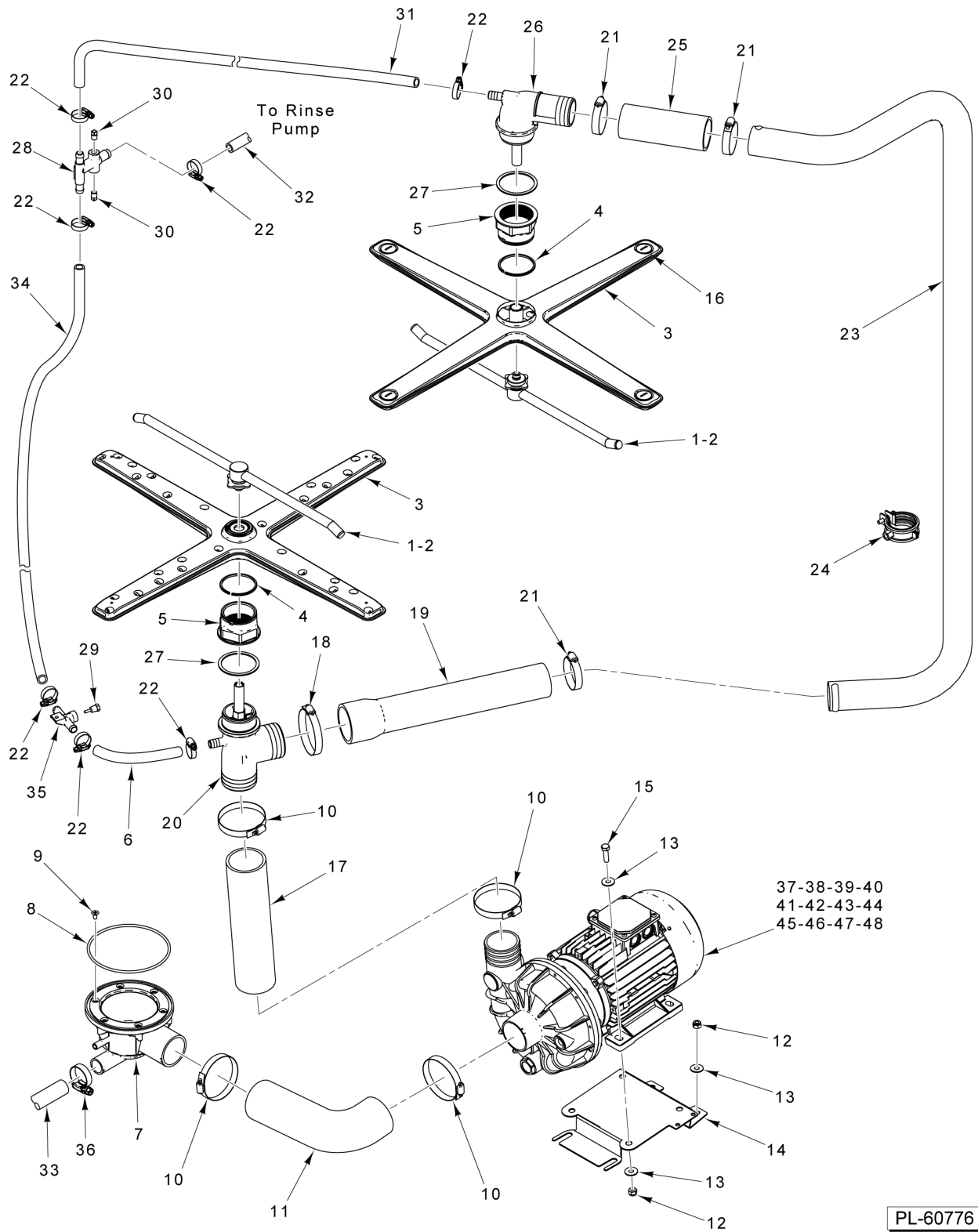
ILLUS.	PART NO.	NAME OF PART	AMT.
PL-60783			
1	00-948988	Hose - Booster.....	1
2	00-528499	Clamp - Hose.....	2
3	00-324097	Elbow - Fill.....	1
4	00-941940	Washer - Air Gap.....	1
5	00-116198-00003	Nut - Adapter.....	1
6	00-948969	Bracket - Shelf (Booster).....	1
7	NS-015-11	Nut 5/16-18 Hex (SST).....	2
8	SC-041-12	Cap Screw 5/16-18 x 7/8 Hex Hd. (SST).....	2
9	NS-047-82	Stop Nut 1/4-20 Hex (SST).....	8
10	00-942151-00001	Trap - Air.....	1
11	OR-001-21	O-Ring.....	1
12	00-949016	Cover - Mylar (Booster).....	1
13	00-942185	Protector - High Limit.....	4
14	00-941630	Bracket - High Limit.....	2
15	WL-006-17	Lockwasher 1/4 Helical (SST).....	4
16	NS-015-01	Nut 1/4-20 Hex (SST).....	4
17	00-949039	Probe Assy.....	1
18	00-948741-00001	Heater - Electric (240 V., 8200 W.).....	2
19	00-948741-00002	Heater - Electric (480 V., 8200 W.).....	2
20	FP-087-46	Fitting - Tube 1/4 (Advansys).....	1
21	00-948918-00002	Booster Weldment (Standard).....	1
22	00-948918-00004	Booster Weldment (Advansys).....	1
23	00-948919-00003	Booster Assy. (Standard) (240 V.) (Incls. Items 9 thru 18 & 21).....	1
24	00-948919-00007	Booster Assy. (Standard) (480 V.) (Incls. Items 9 thru 17, 19, & 21).....	1
25	00-948919-00004	Booster Assy. (Advansys) (240 V.) (Incls. Items 9 thru 18, 20, & 22).....	1
26	00-948919-00008	Booster Assy. (Advansys) (480 V.) (Incls. Items 9 thru 17, 19, 20, & 22).....	1
27	00-558171	Clamp - Hose.....	6
28	00-950423-00001	Hose - Elbow.....	2
29	00-947899-00004	Pump Motor Assy. (208-240/380-480/60).....	2
30	FE-027-12	Cord Grip - Strain Relief.....	2
31	SC-118-58	Cap Screw M6 x 1.0 x 12mm Hex Hd. (SST).....	4
32	00-948973	Bracket - Pump Support.....	1
33	00-948779	Anchor - Hose.....	2
34	SD-008-18	Self-Tapping Screw 8-18 x 3/8 Phil. Bndg. Hd., Type B.....	AR
35	00-948850	Pump - Chemical.....	AR
36	00-948851	Bracket - Chemical Pump (PW20eR).....	AR
37	00-113156-00001	Clamp - Spring Action Hose.....	AR
38	00-949651-00002	Hose - P-Pump Kit (Includes Spring, Clamp, & Tube).....	1
39	00-185105-00002	Tube - Red (1/4 O.D. x 144 Lg.).....	1
40	00-185105-00029	Tubing (Black) (144 In.).....	1
41	00-185111-00002	Clamp - Hose 7/16.....	1
42	00-113156-00001	Clamp - Spring Action Hose.....	1
43	00-974388-00008	Tubing.....	1
44	00-949008-00001	Hose.....	1
45	00-949008-00002	Hose (Long).....	1
46	00-185112	Stand Pipe 20-1/2 Lg.....	1
47	WL-006-16	Lockwasher 1/4 Helical (SST).....	4
48	SC-120-48	Cap Screw M6 x 1.0 x 18mm Hex Hd. (SST).....	4
49	00-067500-00034	O-Ring.....	2



PL-60779

FILL UNIT

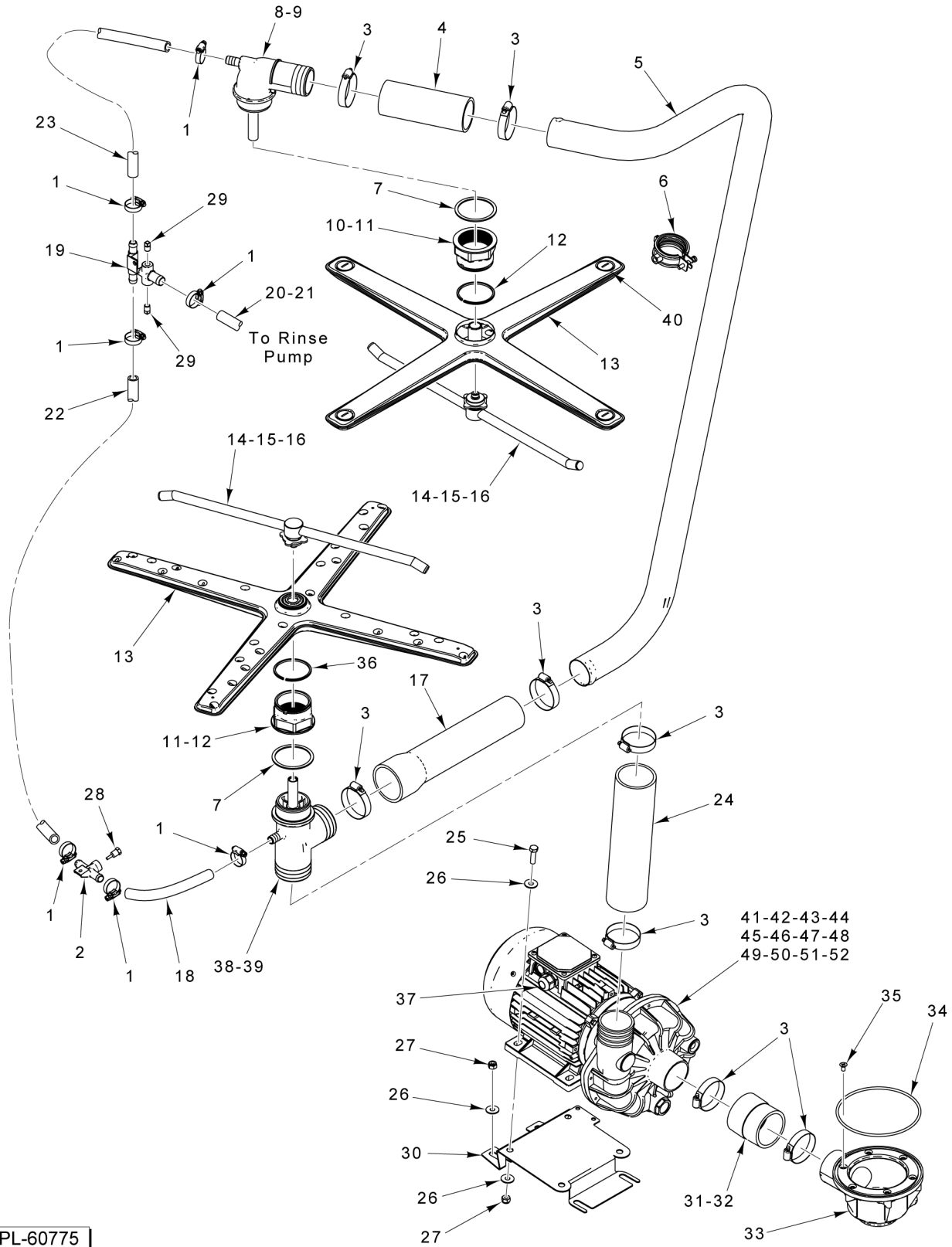
ILLUS.	PART NO.	NAME OF PART	AMT.
PL-60779			
1	00-974952	Nut - Adapter.....	2
2	00-941940	Washer - Air Gap.....	2
3	01-297510-00001	Air Gap.....	1
4	00-558090	Clamp.....	6
5	00-948624-00001	Manifold - Fill.....	1
6	00-948888-00001	Fill Assy. (PW10).....	1
7	00-948888-00002	Fill Assy. (PW20).....	1
8	00-941798	Valve (Deltrol) - Solenoid (1/2) (120 V.).....	2
9	FP-088-17	Fitting - Hose.....	2
10	FP-087-68	Fitting - Hose 3/4 Male to 3/8 MPT.....	1
11	FP-019-12	Tee - Pipe 3/8 x 3/8 x 3/8 (Brass).....	1
12	00-293625-00002	Hose - Fill (96 In.).....	AR
13	00-948889	Bracket - Fill Assy.....	1
14	00-974098	Mount - Valve.....	1
15	00-941726-00019	Hose 3/8 (46 In. Lg.) (PW10).....	AR
16	00-941726-00013	Hose 3/8 (39.5 In. Lg.) (PW20).....	AR
17	00-941726-00012	Hose 3/8 (30 In. Lg.).....	AR
18	00-941726-00011	Hose 3/8 (62 In. Lg.) (PW10eR).....	AR
19	00-941726-00018	Hose 3/8 (96 In. Lg.) (PW20eR).....	AR
20	00-941726-00013	Hose 3/8 (39.5 In. Lg.) (PW10 & PW20).....	AR
21	00-562731	Hose 3/8 x 144 In. Lg.....	1
22	00-562732	Nozzle Assembly (Incls. Item 27).....	1
23	00-974115	Shutoff - Tee.....	1
24	FP-027-13	Bushing - Pipe 1/2 to 3/8 (Brass).....	1
25	FP-088-17	Fitting - Hose.....	1
26	00-223472	Backflow Preventer.....	1
27	00-812608-00002	Nozzle.....	1
28	00-948888-00003	Sprayer Assy. (Incls. Items 21 thru 27).....	1



WASH & PUMP ASSEMBLY (PW10)

WASH & PUMP ASSEMBLY (PW10)

ILLUS.	PART NO.	NAME OF PART	AMT.
PL-60776			
1	00-948822-00001	Wash/Rinse Arm Assy. (Incls. Items 2 thru 5).....	2
2	00-948739-00001	Rinse Arm Assy.....	2
3	00-974367	Arm - Wash.....	2
4	00-324751	Ring - Wash.....	2
5	00-948821-00001	Nut - Rinse Arm.....	2
6	00-329017-00009	Hose.....	1
7	00-898202-00001	Manifold - Wash/Drain.....	1
8	OR-001-25	O-Ring.....	1
9	SC-128-10	Mach. Screw M6 x 1 x 12 mm Phil. Flat Hd.....	6
10	00-522162	Clamp - Hose.....	AR
11	00-949592	Hose - Intake.....	1
12	NS-036-19	Stop Nut 5/16-18 Hex (SST).....	6
13	WS-017-01	Washer 0.328 x 0.875 x 0.062 (SST).....	10
14	00-948963	Bracket - Pump.....	1
15	SC-041-14	Cap Screw 5/16-18 x 1-1/8 Hex Hd. (SST).....	4
16	00-886610	Plug.....	AR
17	00-949877	Hose.....	1
18	00-522162	Clamp - Hose.....	AR
19	00-948785-00001	Hose.....	1
20	00-562500-00001	Manifold - Wash (Lower).....	1
21	00-542337	Clamp - Hose.....	3
22	00-528499	Clamp - Hose.....	AR
23	00-948782	Tube - Wash Manifold.....	1
24	00-948971-00002	Hanger - Pipe.....	2
25	00-949885	Hose.....	1
26	00-562501-00001	Manifold - Wash (Upper).....	1
27	00-948986-00001	Gasket - Wash Arm.....	2
28	00-948784	Tee - Rinse.....	1
29	00-328994	Probe Assy. - Rinse.....	1
30	FP-028-03	Pipe Plug 1/8 Sq. Hd. (Brass).....	2
31	00-329017-00016	Hose.....	2
32	00-949008-00001	Hose.....	1
33	00-949584	HOSE,DRAIN SUMP - DRAIN PUMP (Drain Sump to Drain Pump).....	1
34	00-329017-00015	Hose - Rinse (Upper).....	1
35	00-974252-00001	Tee.....	1
36	00-558171	Clamp - Hose.....	1
37	00-948783-00001	Wash Pump Assy. (Incls. Items 38 thru 48).....	1
38	00-563300	Seal - Wash Pump.....	1
39	00-563301	Impeller.....	1
40	00-563302	Nut - Impeller.....	1
41	00-563303	Gasket - Housing.....	1
42	00-563306	Screw - Housing.....	AR
43	00-563307	Nut - Housing.....	AR
44	00-563308	O-Ring - Cap.....	1
45	00-563309	Cap - Stop Valve.....	1
46	00-563310	Fan - Cooling.....	1
47	00-563311	Washer - Impeller.....	1
48	00-563312	Ring.....	1

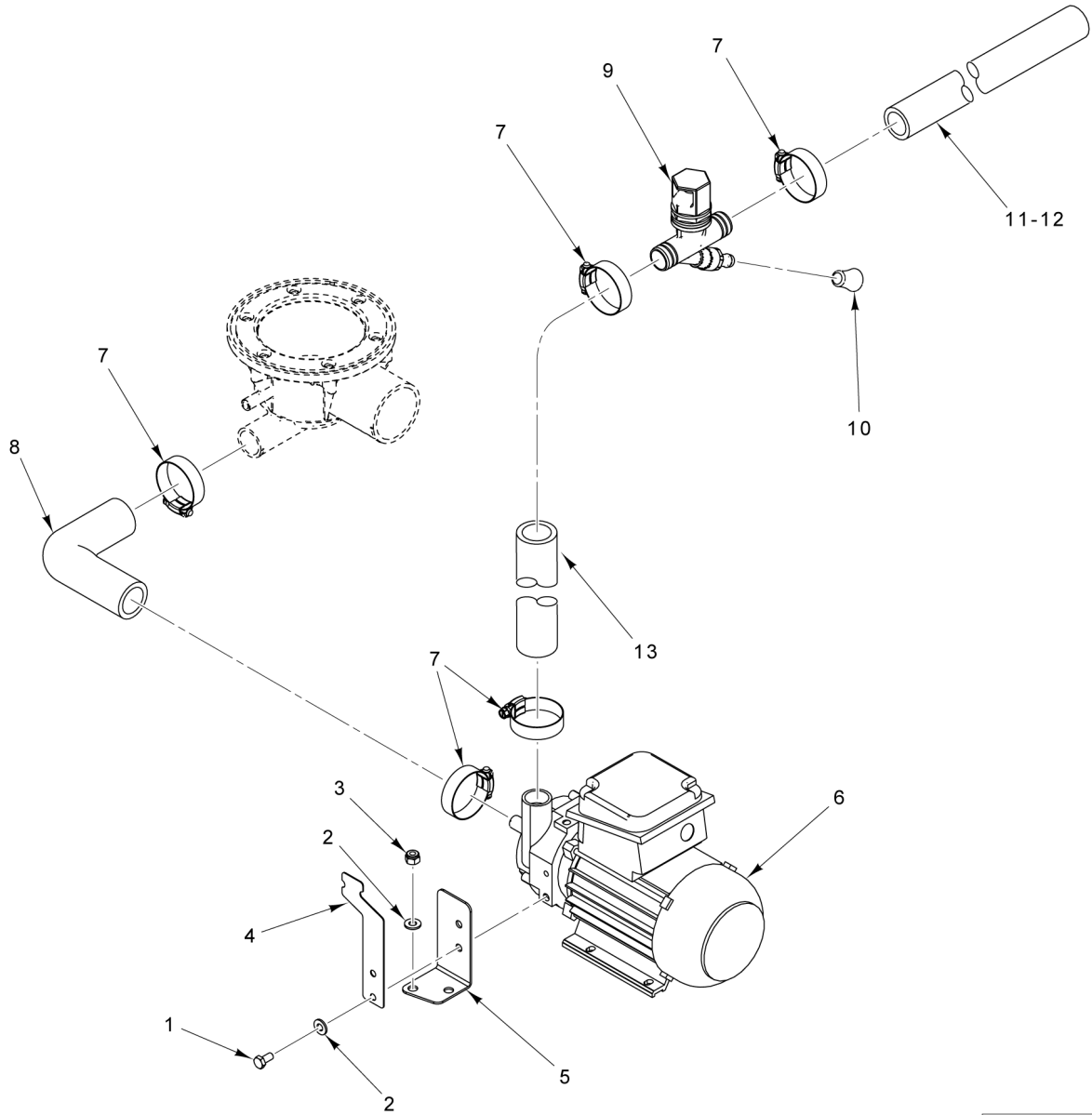


PL-60775

WASH & PUMP ASSEMBLY (PW20)

WASH & PUMP ASSEMBLY (PW20)

ILLUS.	PART NO.	NAME OF PART	AMT.
PL-60775			
1	00-528499	Clamp - Hose.....	AR
2	00-974252-00001	Tee.....	2
3	00-542337	Clamp - Hose.....	16
4	00-949885	Hose.....	2
5	00-948780	Tube - Wash Manifold.....	2
6	00-948971-00002	Hanger - Pipe.....	4
7	00-948986-00001	Gasket - Wash Arm.....	4
8	00-562501-00002	Manifold - Wash (LH) (Upper).....	2
9	00-562501-00003	Manifold - Wash (RH) (Upper).....	2
10	00-948821-00003	Nut - Wash (RH).....	1
11	00-948821-00002	Nut - Wash (LH).....	2
12	00-948821-00001	Nut - Wash (RH).....	1
13	00-974367	Arm - Wash.....	2
14	00-948739-00001	Rinse Arm Assy.....	2
15	00-948822-00002	Wash/Rinse Arm Assy. (LH) (Incls. Items 10, 12, 13, 14, & 36).....	2
16	00-948822-00003	Wash/Rinse Arm Assy. (RH) (Incls. Items 11 thru 14, & 36).....	2
17	00-948785-00002	Hose.....	2
18	00-329017-00014	Hose.....	2
19	00-948784	Tee - Rinse.....	2
20	00-949008-00001	Hose.....	AR
21	00-949008-00002	Hose (Long).....	AR
22	00-329017-00010	Hose.....	AR
23	00-329017-00016	Hose.....	AR
24	00-949877	Hose.....	2
25	SC-041-14	Cap Screw 5/16-18 x 1-1/8 Hex Hd. (SST).....	8
26	WS-017-01	Washer 0.328 x 0.875 x 0.062 (SST).....	20
27	NS-036-19	Stop Nut 5/16-18 Hex (SST).....	12
28	00-328994	Probe Assy. - Rinse.....	2
29	FP-028-03	Pipe Plug 1/8 Sq. Hd. (Brass).....	2
30	00-948963	Bracket - Pump.....	2
31	00-949580	Hose - Formed (LH).....	1
32	00-949581	Hose - Formed (RH).....	1
33	00-898202-00001	Manifold - Wash/Drain.....	2
34	OR-001-25	O-Ring.....	2
35	SC-128-10	Mach. Screw M6 x 1 x 12 mm Phil. Flat Hd.....	12
36	00-324751	Ring - Wash.....	2
37	FE-022-84	Connector - Strain Relief.....	1
38	00-562500-00002	Manifold - Wash (LH) (Lower).....	1
39	00-562500-00003	Manifold - Wash (RH) (Lower).....	1
40	00-886610	Plug.....	AR
41	00-948783-00001	Wash Pump Assy. (Incls. Items 42 thru 52).....	2
42	00-563300	Seal - Wash Pump.....	1
43	00-563301	Impeller.....	1
44	00-563302	Nut - Impeller.....	1
45	00-563303	Gasket - Housing.....	1
46	00-563306	Screw - Housing.....	AR
47	00-563307	Nut - Housing.....	AR
48	00-563308	O-Ring - Cap.....	1
49	00-563309	Cap - Stop Valve.....	1
50	00-563310	Fan - Cooling.....	1
51	00-563311	Washer - Impeller.....	1
52	00-563312	Ring.....	1

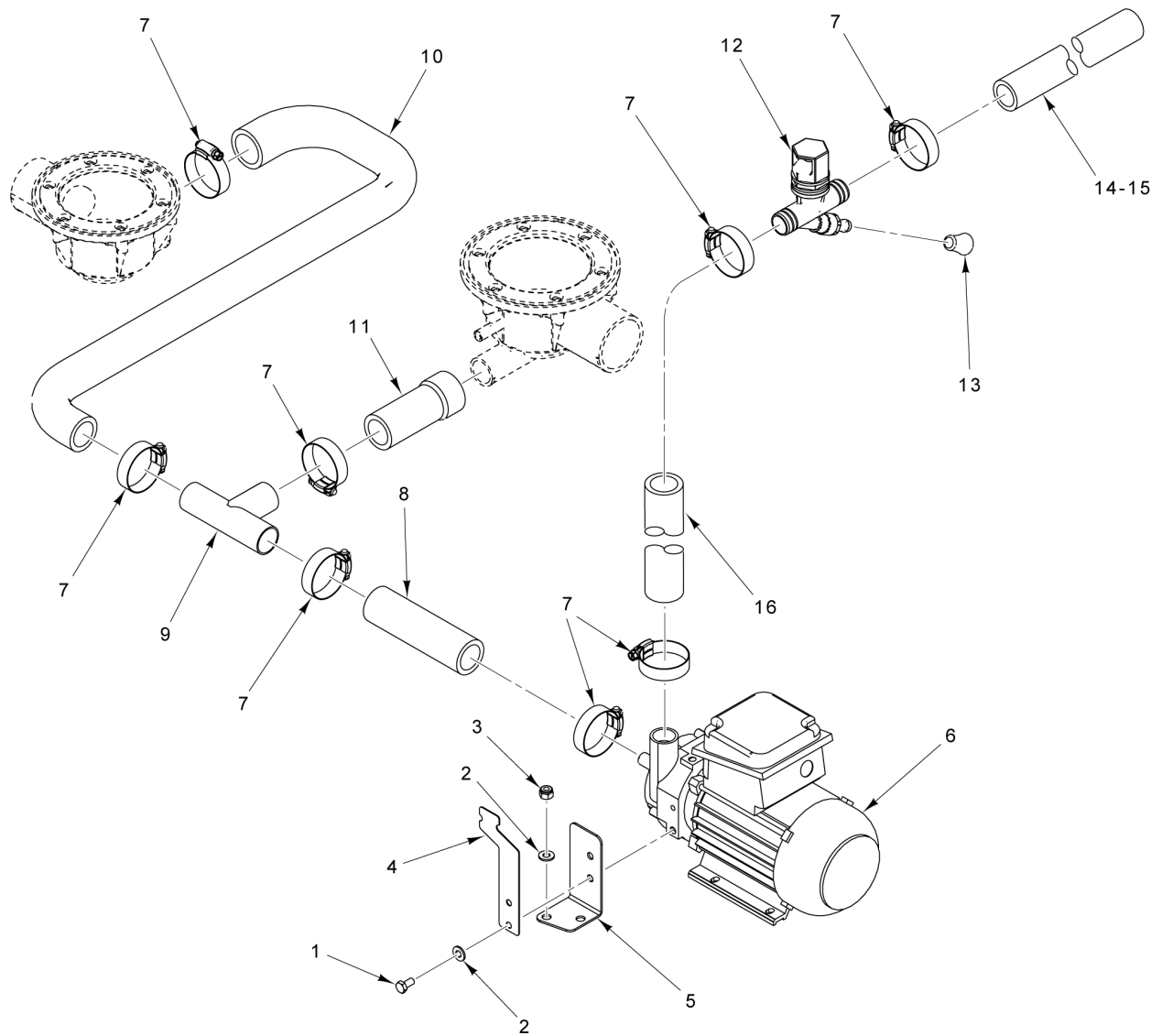


PL-60833

DRAIN ASSEMBLY (PW10)

DRAIN ASSEMBLY (PW10)

ILLUS.	PART NO.	NAME OF PART	AMT.
PL-60833			
1	SC-120-48	Cap Screw M6 x 1.0 x 18mm Hex Hd. (SST).....	2
2	WL-006-16	Lockwasher 1/4 Helical (SST).....	4
3	NS-047-82	Stop Nut 1/4-20 Hex (SST).....	2
4	00-948779	Anchor - Hose.....	1
5	00-948975	Bracket - Drain Pump.....	1
6	00-947899-00001	Pump Motor Assy. (208-480 V., 60 Hz., 3 Ph.).....	1
7	00-558171	Clamp - Hose.....	9
8	00-949584	HOSE,DRAIN SUMP - DRAIN PUMP.....	1
9	00-974366	Valve Assy.....	1
10	00-775531-00001	Plug.....	1
11	00-949674-00001	Hose (72 In. Lg.).....	1
12	00-974846-00003	Cover - Hose.....	AR
13	00-949878-00001	Hose.....	1

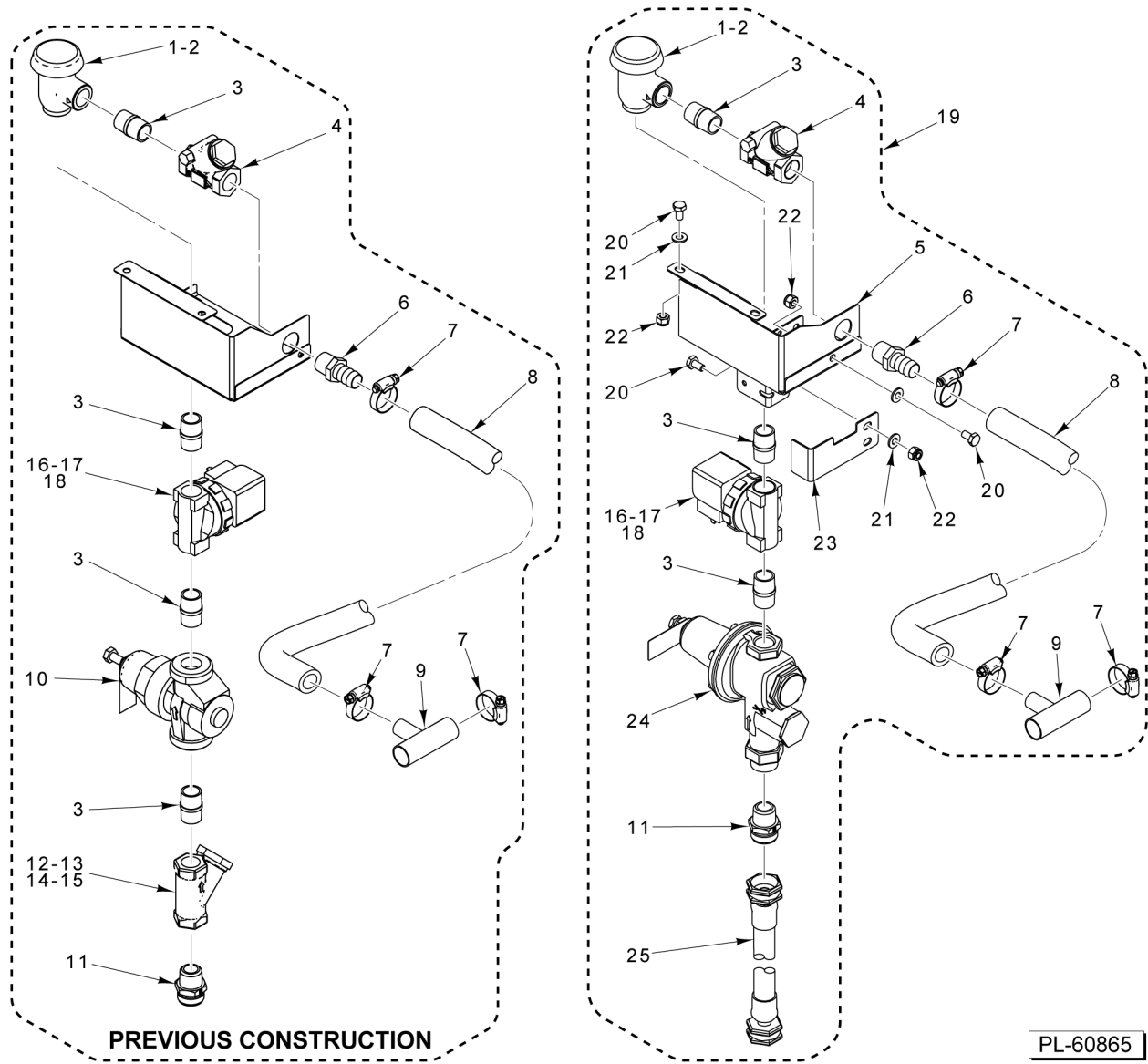


PL-60778

DRAIN ASSEMBLY (PW20)

DRAIN ASSEMBLY (PW20)

ILLUS.	PART NO.	NAME OF PART	AMT.
1	SC-120-48	Cap Screw M6 x 1.0 x 18mm Hex Hd. (SST).....	2
2	WL-006-16	Lockwasher 1/4 Helical (SST).....	4
3	NS-047-82	Stop Nut 1/4-20 Hex (SST).....	2
4	00-948779	Anchor - Hose.....	1
5	00-948975	Bracket - Drain Pump.....	1
6	00-947899-00001	Pump Motor Assy. (208-480 V., 60 Hz., 3 Ph.).....	1
7	00-558171	Clamp - Hose.....	9
8	00-936468-00004	Hose (1 In. I.D. x 4.75 In. Lg.).....	1
9	00-883181-00002	Tee.....	1
10	00-949582	Hose (Drain Manifold to Tee).....	1
11	00-949579	Hose (Drain Manifold to Tee).....	1
12	01-510300-00002	Kit - Drain Valve.....	1
13	00-775531-00001	Plug.....	1
14	00-949674-00001	Hose (72 In. Lg.).....	1
15	00-974846-00003	Cover - Hose.....	AR
16	00-949878-00002	Hose.....	1



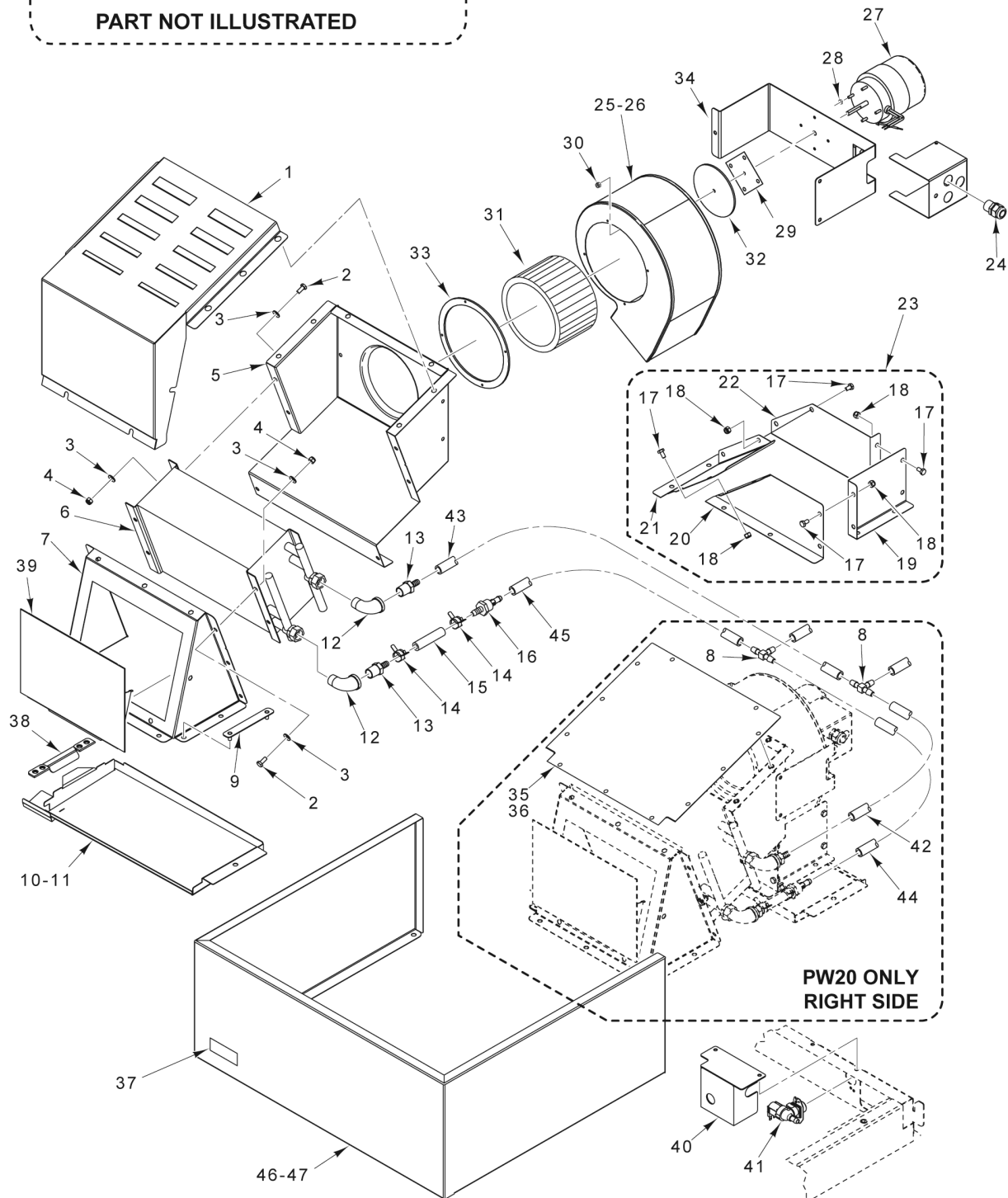
DRAIN WATER TEMPERING

DRAIN WATER TEMPERING

ILLUS.	PART NO.	NAME OF PART	AMT.
PL-60865			
1	00-292909	Vacuum Breaker 1/2 In. (Chrome) (Incls. Item 2).....	1
2	00-292910	Service Kit - Vacuum Breaker.....	1
3	FP-040-43	Pipe 1/2 x 1-1/4 TBE (Brass).....	AR
4	00-084071	Valve - Check 1/2.....	1
5	00-974120	Bracket - Support.....	1
6	FP-087-39	Fitting - Hose 5/8 Hose to 1/2 NPT (Brass).....	1
7	00-528499	Clamp - Hose.....	AR
8	00-292856-00002	Hose - Drain (Cut to Fit).....	1
9	00-974354	Tee.....	1
10	00-118038-00002	Regulator - Pressure (1/2 In.) (Previous Construction).....	1
11	FP-081-15	Fitting - Hose 5/8 x 3/4 Hose Male to 1/2 MPT.....	1
12	00-892921	Strainer - Line (Incls. Items 13, 14, & 15) (Previous Construction).....	1
13	00-892922-00001	Cap (Previous Construction).....	1
14	00-892922-00002	Gasket (Previous Construction).....	1
15	00-892922-00003	Screen (Previous Construction).....	1
16	00-893100-00001	Solenoid Valve (1/2) (120 V.) (Incls. Items 17 & 18).....	1
17	00-892132	Coil - Solenoid Valve (120 V.).....	1
18	00-893101	Service Kit - 1/2 Solenoid Valve.....	1
19	00-974130	Kit - Drain Water Tempering (Incls. Items 1 thru 9, 11, 16 thru 18, 20 thru 25).....	1
20	SC-041-50	Cap Screw 1/4-20 x 1/2 Hex Hd. (SST) (Current Construction).....	5
21	WS-003-49	Washer 0.266 x 0.563 x 0.062 (SST) (Current Construction).....	5
22	NS-047-82	Stop Nut 1/4-20 Hex (SST) (Current Construction).....	5
23	00-563004	Bracket - DWT Support (Current Construction).....	1
24	00-974829	Regulator - Pressure (Current Construction).....	1
25	00-293408-00002	Hose - Fill Assy. (Current Construction).....	1

48 00-919364 Nut - Rivet 1/4-20

PART NOT ILLUSTRATED



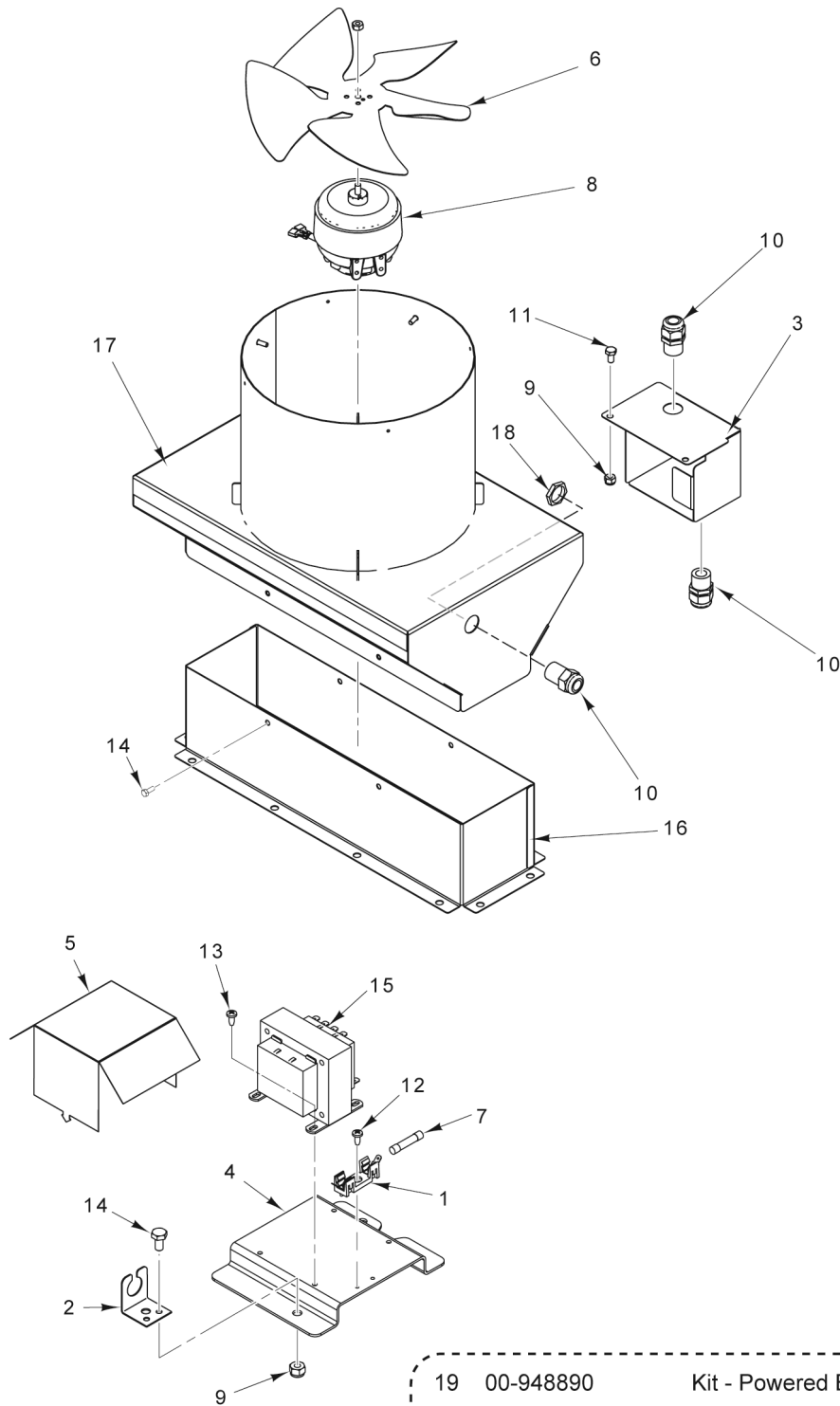
PW10 SHOWN

PL-60774

ENERGY RECOVERY UNIT

ENERGY RECOVERY UNIT

ILLUS.	PART NO.	NAME OF PART	AMT.
PL-60774			
1	00-974039	Diffuser.....	AR
2	SC-041-05	Cap Screw 1/4-20 x 5/8 Hex Hd. (SST).....	10
3	WS-017-06	Washer (SST).....	20
4	NS-047-82	Stop Nut 1/4-20 Hex (SST).....	10
5	00-949115	Mount (Fan to Coil).....	1
6	00-941113	Coil - Steam Condensing.....	1
7	00-949114-00002	Plenum - Intake (With Flap) Before S/N 231176327.....	AR
	00-949477	Plenum - Ventless Intake Starting S/N 231176327.....	AR
8	00-441481	Tee 3/8 Barbed (PW20eR).....	2
9	00-941188	Bracket - Intake Plenum.....	2
10	00-949128-00001	Deflector Assy.....	1
11	00-949128-00002	Deflector Assy.....	1
12	FP-015-17	Elbow - Pipe 1/2 x 90 Deg. (Brass).....	2
13	FP-090-64	Adapter 1/2 MPT to 3/8 Hose.....	2
14	00-558090	Clamp.....	AR
15	00-941726-00004	Hose 3/8 (3.5 In. Lg.).....	1
16	00-941416	Restrictor - Flow.....	1
17	SC-041-50	Cap Screw 1/4-20 x 1/2 Hex Hd. (SST).....	8
18	NS-047-82	Stop Nut 1/4-20 Hex (SST).....	8
19	00-949268	Duct - Side.....	1
20	00-949107	Duct - Front.....	1
21	00-949108	Duct - Top.....	1
22	00-949106	Duct - Rear.....	1
23	00-949105	Duct Assy. (Incls. Items 17 thru 22).....	1
24	FE-022-84	Connector - Strain Relief.....	2
25	00-949460-00002	FAN / CONDENSER, ASSY BLOWER (Incls. Items 26 thru 34 & 48 [Qty 2]).....	1
26	00-941200-00002	Housing - Fan.....	1
27	00-941187	Motor - Fan.....	1
28	NS-011-12	Stop Nut 8-32 (SST).....	4
29	00-948690	Seal - Fan Shaft.....	1
30	NS-031-08	Stop Nut 8-32 Special (SST).....	4
31	00-941200-00003	Impeller - Fan.....	1
32	00-941197-00002	Gasket - Motor.....	1
33	00-941197-00001	Gasket - Fan Intake.....	1
34	00-941184	Mount - Fan Motor.....	1
35	00-949112	Plate - Top (PW20eR Right Side).....	1
36	00-526454-00002	Foam Tape.....	AR
37	00-941420	Logo - Advansys.....	1
38	00-941349	Bracket - Baffle.....	AR
39	00-949007	Flap - Vent Before S/N 231176327.....	AR
	00-974565	Flap - Vent Starting S/N 231176327, Use With 00-949477.....	AR
40	00-949001	Cover - Valve.....	1
41	00-941798	Valve (Deltrol) - Solenoid (1/2) (120 V.).....	1
42	00-941726-00001	Hose 3/8 (23.62 In. Lg.).....	1
43	00-941726-00007	Hose 3/8 (15 In. Lg.).....	1
44	00-941726-00017	Hose 3/8 (28 In. Lg.).....	1
45	00-941726-00015	Hose 3/8 (13.50 In. Lg.).....	1
46	00-949125-00001	Shroud - Front (PW10eR).....	1
47	00-949125-00002	Shroud - Front (PW20eR).....	1
48	00-919364	Nut - Rivet 1/4-20.....	9



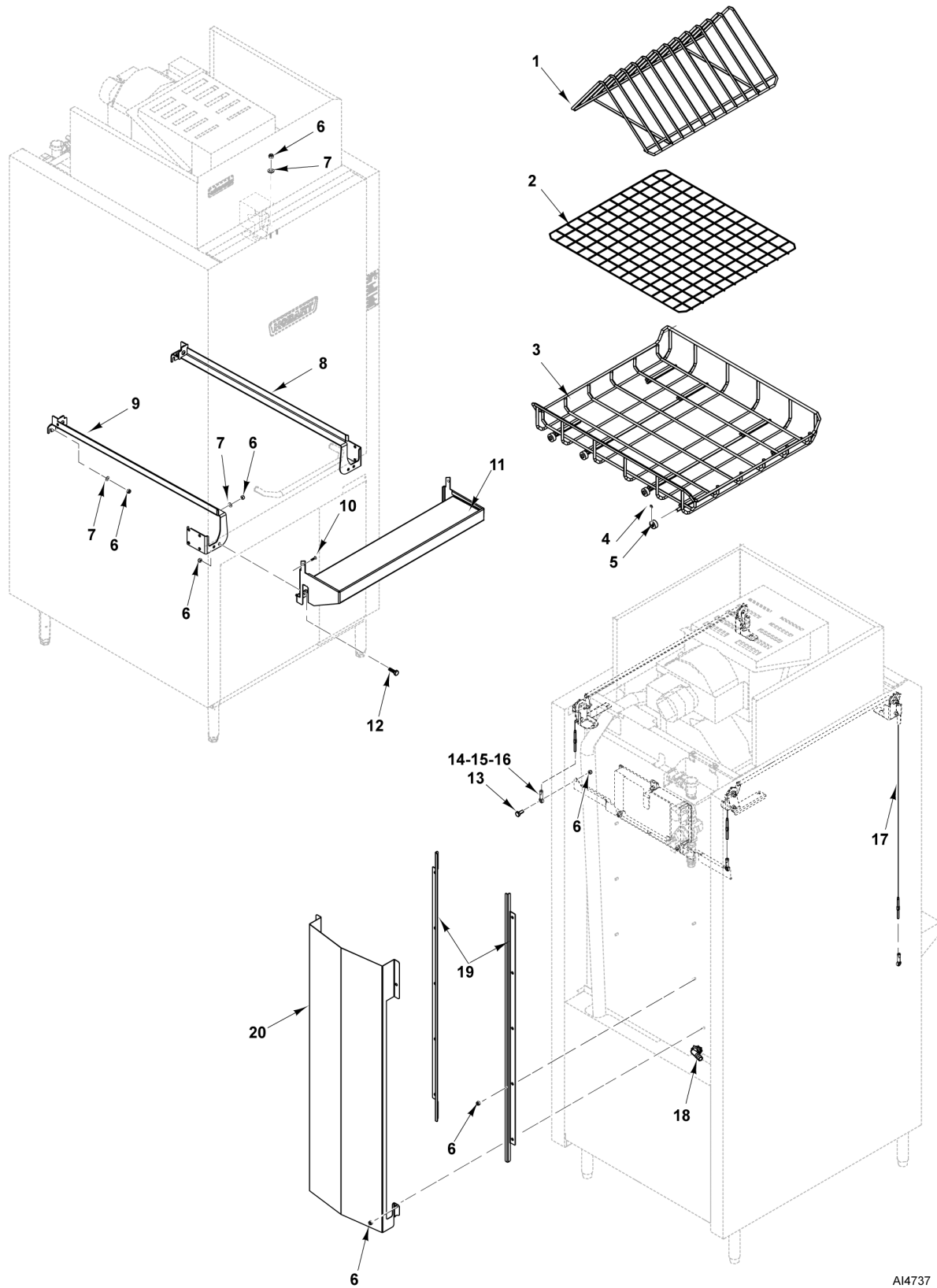
PL-60866

19 00-948890 Kit - Powered Exhaust Vent Assy.
PART NOT ILLUSTRATED

EXHAUST VENT ASSEMBLY

EXHAUST VENT ASSEMBLY

ILLUS.	PART NO.	NAME OF PART	AMT.
PL-60866			
1	00-294436-00003	Block - Fuse.....	1
2	00-918732	Bracket - Strain Relief.....	1
3	00-974141	Bracket.....	1
4	00-948997	Bracket - Mounting.....	1
5	00-950229	Cover - Mylar.....	1
6	00-892250	Blade - Fan (10-1/2 In. Wing).....	1
7	FE-026-92	Fuse (2.5 Amp.) (250 V.).....	1
8	00-918088	Motor - Fan (Exhaust) (120 V.).....	1
9	NS-047-82	Stop Nut 1/4-20 Hex (SST).....	4
10	FE-022-84	Connector - Strain Relief.....	3
11	SC-041-50	Cap Screw 1/4-20 x 1/2 Hex Hd. (SST).....	4
12	SD-008-17	Self-Tapping Screw 6-20 x 3/8 Phil. Bndg. Hd., Type B.....	1
13	SD-008-18	Self-Tapping Screw 8-18 x 3/8 Phil. Bndg. Hd., Type B.....	4
14	SC-067-06	Mach. Screw 10-24 x 1/2 Hex Hd.....	4
15	00-294500-052-1	Transformer (100 VA.) (50/60 Hz.).....	1
16	00-948894	Vent Weldment.....	1
17	00-948891	Duct - Exhaust.....	1
18	FE-024-88	Lock Nut 1/2 Electrical.....	3
19	00-948890	Kit - Powered Exhaust Vent Assy. (Incls. Items 1 thru 18).....	1

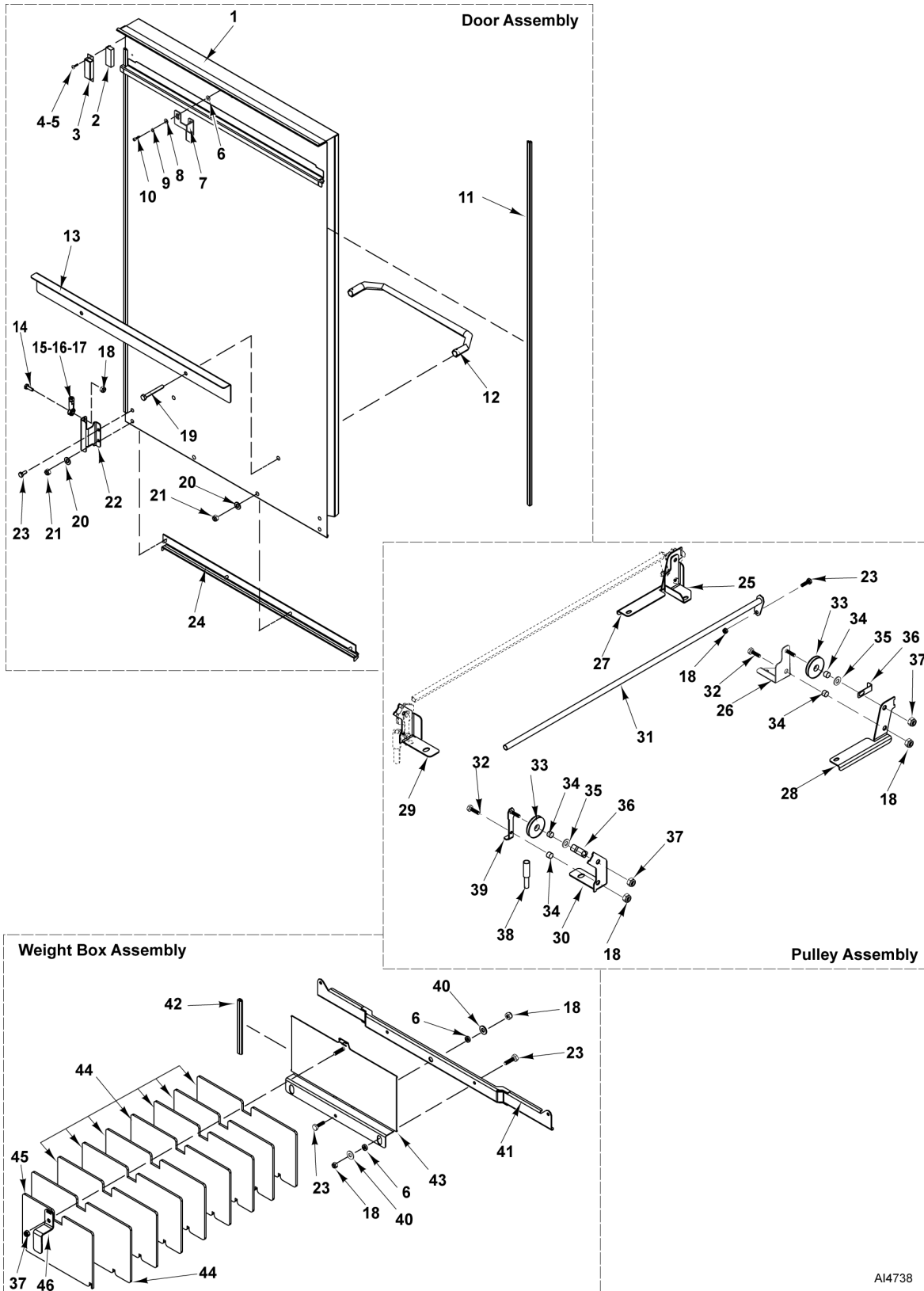


A14737

RACK, CABLES, SHELF, AND MISCELLANEOUS (PWV)

RACK, CABLES, SHELF, AND MISCELLANEOUS (PWV)

ILLUS. PL-AI4737	PART NO.	NAME OF PART	AMT.
1	00-948776-00003	Rack - 12 Pan.....	1
2	00-950677	Insert - Basket.....	1
3	00-974381	Rack - PWV Basket.....	1
4	RR-006-23	Retaining Ring.....	8
5	00-949014	Roller - Conveyor Rack.....	8
6	NS-047-82	Stop Nut 1/4-20 Hex (SST).....	26
7	WS-017-06	Washer (SST).....	14
8	00-562717-00002	Assy, Guide, Rack, LH, PWV.....	1
9	00-562717-00001	Assy, Guide, Rack, RH, PWV.....	1
10	SC-125-45	Screw - Mach. 8-32 x 3/4 (Flat Cross).....	2
11	00-913102-00250	Assy. - Shelf Kit.....	1
12	SC-125-45	Screw - Mach. 8-32 x 3/4 (Flat Cross).....	2
13	SC-041-01	Cap Screw 1/4-20 x 3/4 Hex Hd. (SST).....	2
14	00-948826	Rod-End (1/4-28).....	2
15	WL-006-17	Lockwasher 1/4 Helical (SST).....	2
16	NS-015-06	Nut - Hex (1/4-28).....	2
17	00-975035	Assy. - Wire Cable.....	2
18	00-185104	Elbow.....	2
19	00-974988	Guide - Channel.....	2
20	00-975039	Cover - Pulley Rear.....	1



DOOR, PULLEYS, AND WEIGHTS (PWV)

DOOR, PULLEYS, AND WEIGHTS (PWV)

ILLUS.	PART NO.	NAME OF PART	AMT.
PL-AI4738			
1	00-974993-00001	Assy. - PWV Door.....	1
2	00-290160	Magnet.....	1
3	00-290159	Retainer - Magnet.....	1
4	SC-066-01	Mach. Screw 6-32 x 1/4 Phil. Truss Hd.....	2
5	NS-031-50	Stop Nut 6-32 Hex (SST).....	2
6	WS-022-25	Washer (SST).....	4
7	00-948940	Bracket - Switch (ER Units Only).....	1
8	WS-019-06	Washer.....	2
9	WL-006-06	Lockwasher #10 Helical (SST).....	2
10	SC-123-01	Cap Screw 10-24 x 3/4 Hex Socket Hd. (SST).....	2
11	00-112378-00048	Door - Slide.....	2
12	00-748221	Handle - PWV Door.....	1
13	00-975001	Stop - Door.....	1
14	SC-041-01	Cap Screw 1/4-20 x 3/4 Hex Hd. (SST).....	2
15	00-948826	Rod-End (1/4-28).....	2
16	WL-006-17	Lockwasher 1/4 Helical (SST).....	2
17	NS-015-06	Nut - Hex (1/4-28).....	2
18	NS-047-82	Stop Nut 1/4-20 Hex (SST).....	13
19	SC-041-62	Cap Screw 5/16-18 x 2-1/2 Hex Hd. (SST).....	2
20	WS-017-06	Washer (SST).....	4
21	NS-047-86	Stop Nut 1/4-20 Hex (SST).....	4
22	00-974999	Bracket - Door.....	2
23	SC-041-05	Cap Screw 1/4-20 x 5/8 Hex Hd. (SST).....	7
24	00-948819-00001	Gutter (Upper Door) Gutter - Door.....	1
25	00-974982-00002	Mount - PWV Pulley (Right Rear).....	1
26	00-974982-00001	Mount - PWV Pulley (Left Rear).....	1
27	00-975005-00002	Bracket - Clevis (Right Rear).....	1
28	00-975005-00001	Bracket - Clevis (Left Rear).....	1
29	00-974981-00002	Mount - PWV Pulley (Right Front).....	1
30	00-974981-00001	Mount - PWV Pulley (Left Front).....	1
31	00-974990	Tube - Cable.....	2
32	SC-041-02	Cap Screw 1/4-20 x 1 Hex Hd. (SST).....	4
33	00-975031	Sheave (2" OD).....	4
34	00-893014-00001	Spacer Door Link (Upper).....	8
35	WS-017-01	Washer 0.328 x 0.875 x 0.062 (SST).....	4
36	00-975030	Lock - Pulley Wire.....	4
37	NS-036-19	Stop Nut 5/16-18 Hex (SST).....	5
38	00-975002	Bushing - Flanged.....	2
39	00-975004	Bracket - Front Clevis.....	2
40	WS-003-47	Washer (SST).....	3
41	00-975003	Pivot - Balance Bar.....	1
42	00-975037	Slide.....	2
43	00-974986-00001	Weldment - Plate Weight.....	1
44	00-974987-00001	Weight - Large.....	8
45	00-974987-00002	Weight - Small.....	1
46	00-974989	Lock - Weight.....	1

